

## NZ1RG-2131-M (Order no. 090934)

Safety switch NZ.RG, roller plunger, plastic roller  $\varnothing$  12 mm, cable entry M20 x 1.5

- ▶ Roller plunger, plastic roller  $\varnothing$  12 mm
- ▶ Version C according to EN 50041
- ▶ Cable entry M20 x 1.5
- ▶ 3 pos. driven contact
- ▶ 1 NO contacts



### Approach direction



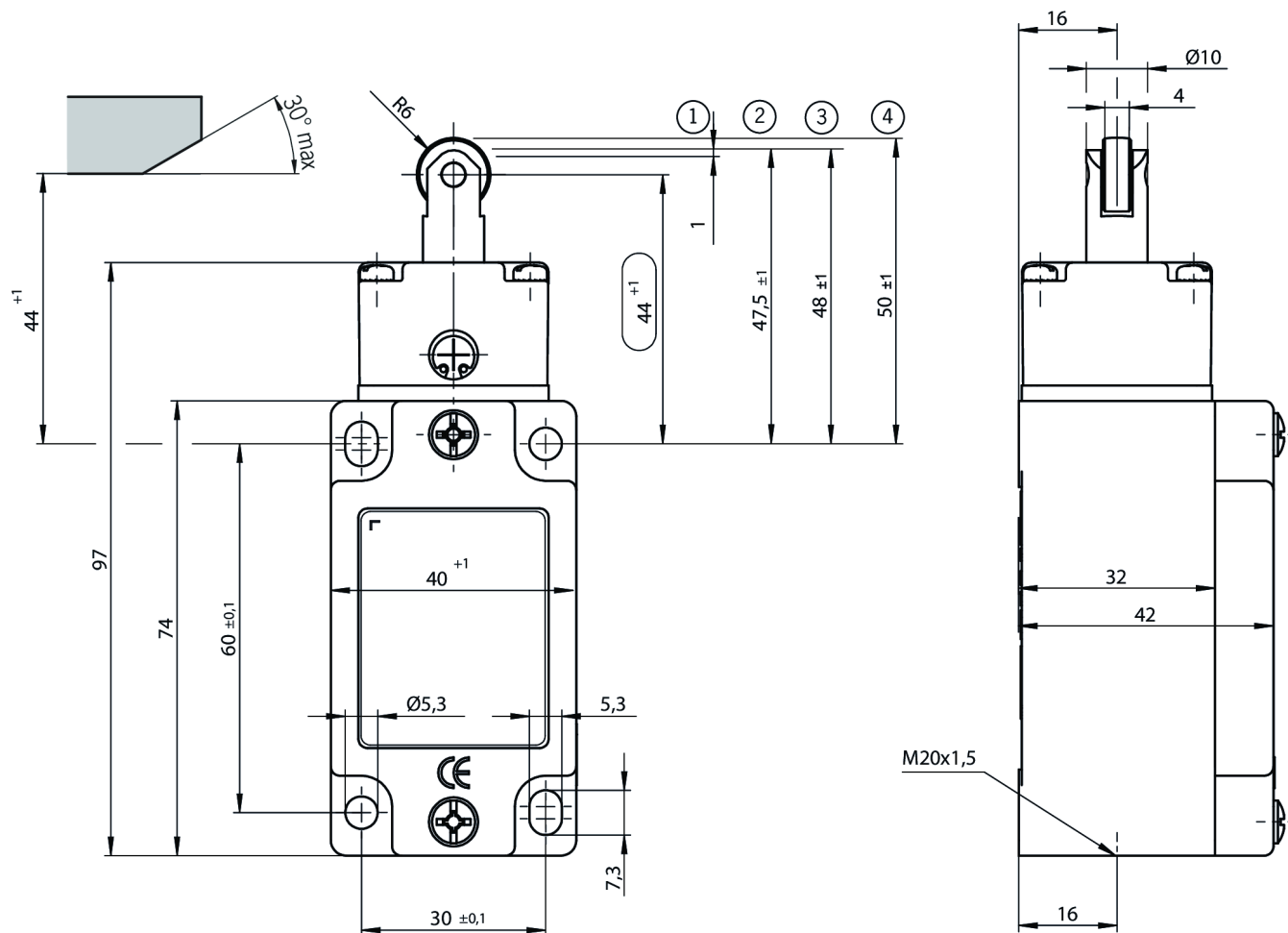
Horizontal

Can be adjusted in 90° steps

### Switching element

2131H Slow-action switching contact 3 positively driven contacts  $\ominus \rightarrow$  + 1 NO contact

## Dimensional drawings



- 1 Operating point NO contact 33-34
- 2 Operating point NC contact 11-12
- 3 Operating point NC contact 21-22; 41-42
- 4 Free position

Connection examples

