

CET1-AX-LRA-00-50X-SA (Order no. 095735)

Read head CET1-AX-..., M12, with guard locking and guard lock monitoring

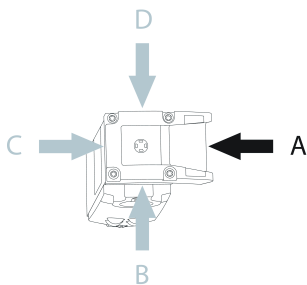
- ▶ Read head with guard locking
- ▶ Locking force up to 6500 N
- ▶ Category 4 / PL e according to EN ISO 13849-1
- ▶ With plug connector M12
- ▶ 2 LEDs (1 freely configurable)
- ▶ Approach direction A (delivery state)



Combination options

Suitable for connection to a CES-AZ evaluation unit

Approach direction



Horizontal

Can be adjusted in 90° steps

Solenoid operating voltage

- ▶ DC 24 V +10%, -15%

Guard locking type

CET1 Closed-circuit current principle, guard locking by spring force. Release by applying voltage to the guard locking solenoid.

LED function display

LED red illuminates when solenoid is switched on

LED green freely configurable

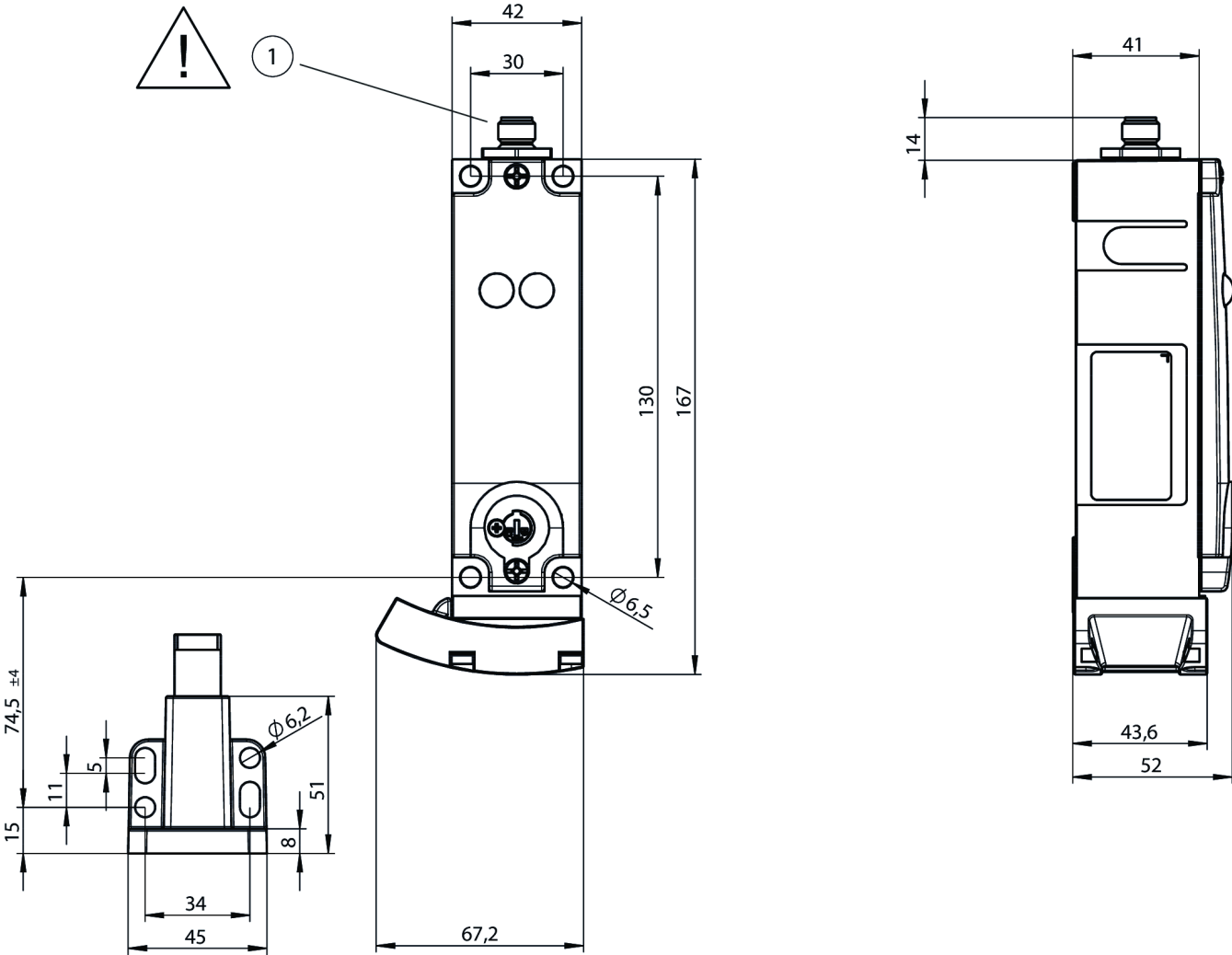
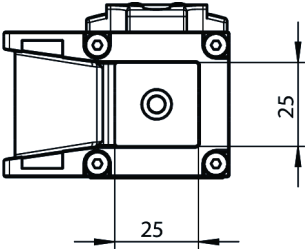
Notes

- ▶ Special connecting cables from EUCHNER are required for the connection. Please take into account in the order!
- ▶ The device may be operated only in conjunction with the actuator CET-A-.... The actuator must be ordered separately.

Auxiliary release

This is used for releasing the guard locking with the aid of a tool. The auxiliary release must be sealed to prevent tampering (for example with sealing lacquer).

Dimensional drawings



1 Plug connector M12 8-pin, not aligned