

## ZSA2B2G10B (Order no. 057100)

### ZSA, 3-stage, with cable and plug connector C16-1

- ▶ Housing G1
- ▶ 3-stage function
- ▶ Straight connecting cable with plug connector, 10 m



### Switching element

2210 1 NO/NC  $\rightarrow$ + 1 NO (additional monitoring contact)

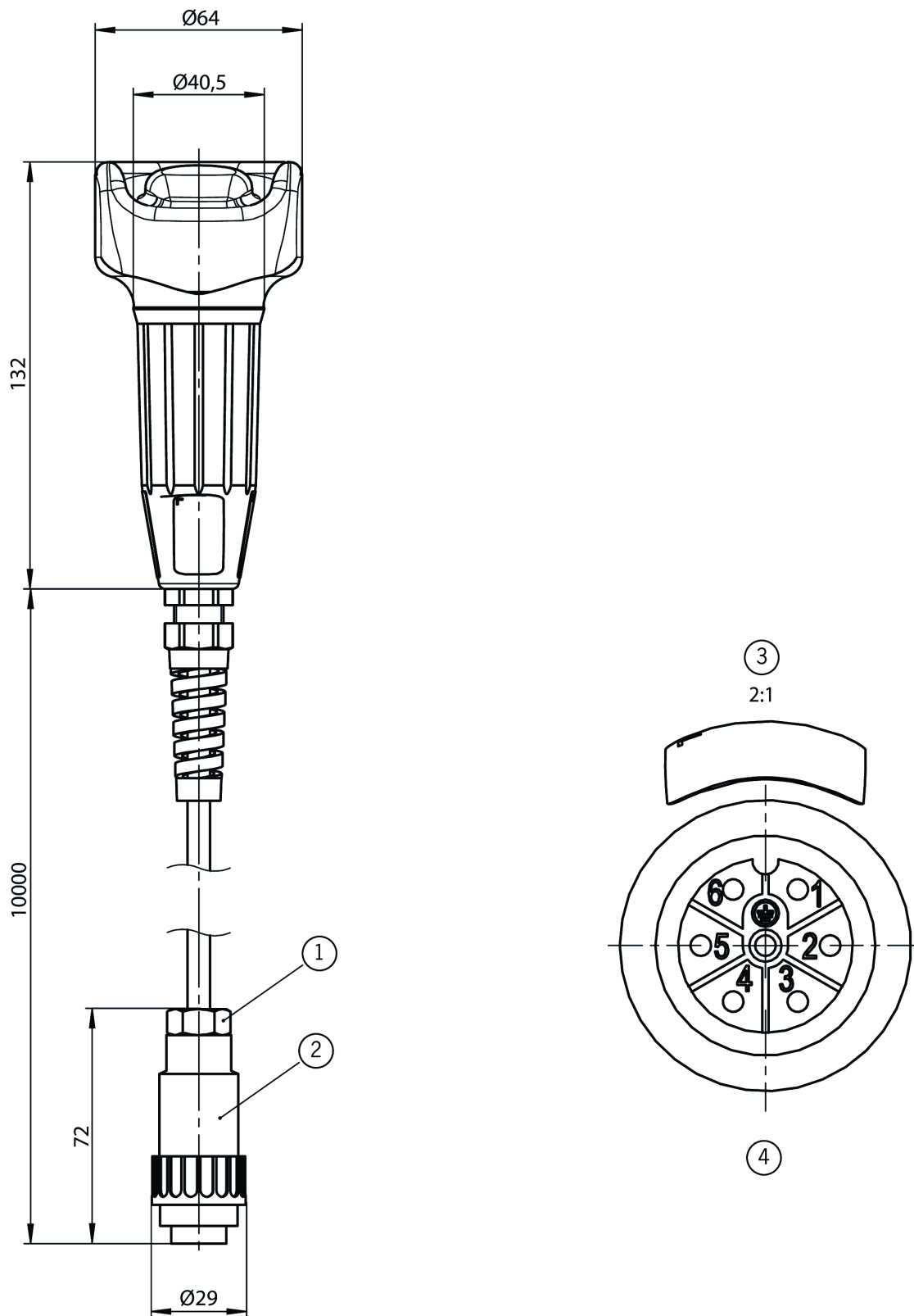
### 3-stage function

Enabling function is active only in the second stage (center position, actuating point). If the pushbutton is released or pushed further (panic function), the enabling is removed (dependent on the wiring, see function sequence).

### Cable

The high-quality connecting cables (individual screening of the safety contacts) are available in a straight version.

## Dimensional drawings



1 Pg 9

27-pin plug connector Amphenol-Tuchel

3 Pin assignment view of connection side

4 Related plug connector with socket contacts ID no. 043861 is to be ordered separately

Connection examples

