

## NG1DO-510-M (Order no. 088616)

### Position switch NG.DO

- ▶ Plunger actuator DO (chisel plunger)
- ▶ Cable entry M20 x 1.5



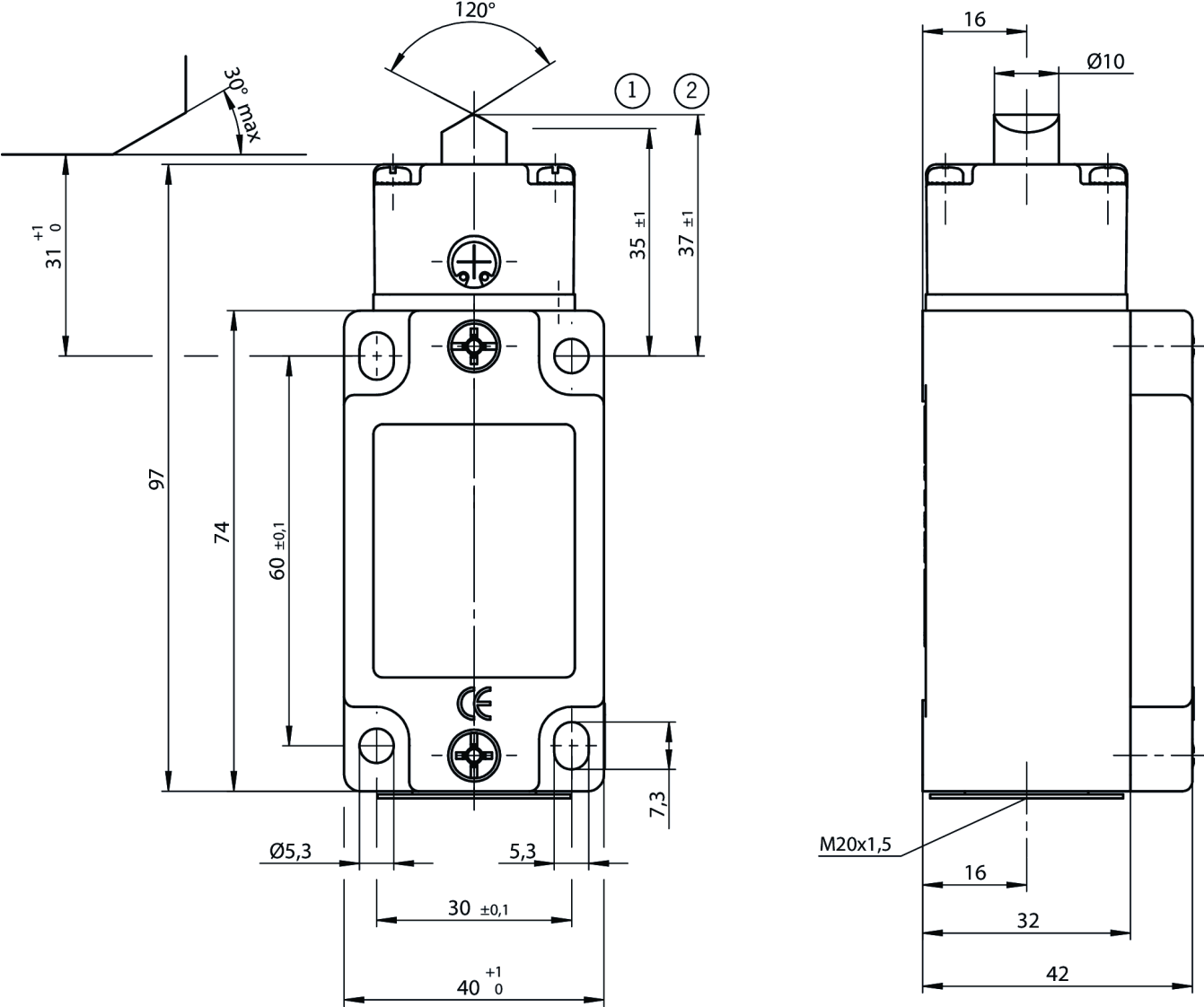
### Switching element

510 Snap-action switching contact 1 NC + 1 NO

### Adjustment options

Horizontal 4 x 90°

**Dimensional drawings**



- 1 Operating point
- 2 Free position

Connection examples

