

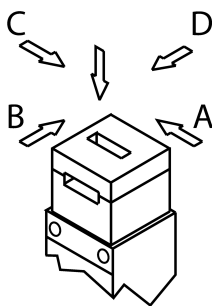
TX1B-A024RC18 (Order no. 082933)

Safety switch TX, plug connector M23 (RC18)

- ▶ Plug connector M23 (RC18), 18-pin + PE
- ▶ Contacts for the door position
- ▶ Auxiliary release
- ▶ LED indicator
- ▶ Closed-circuit current principle



Approach direction



Horizontal and vertical
Can be adjusted in 90° steps

LED indicator

The switch has two freely assignable LED indicators (red and green).

Guard locking principle

Power to unlock: On a guard with guard locking based on the closed-circuit current principle, the guard is locked by spring force until the guard locking solenoid is supplied with power. Unlocking is by solenoid force. The term mechanical guard locking is also used.

Switching element

ETX B Slow-action switching contact

Contacts for guard locking: 2 positively driven contacts  + 1 NO contact

Contacts for door monitoring: 1 NC contact

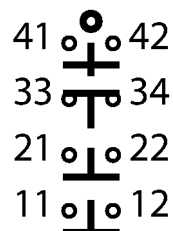
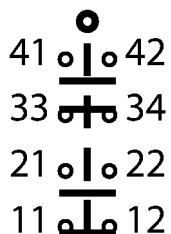
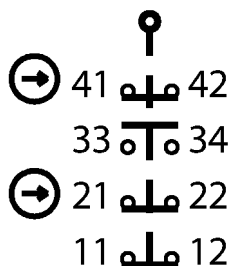
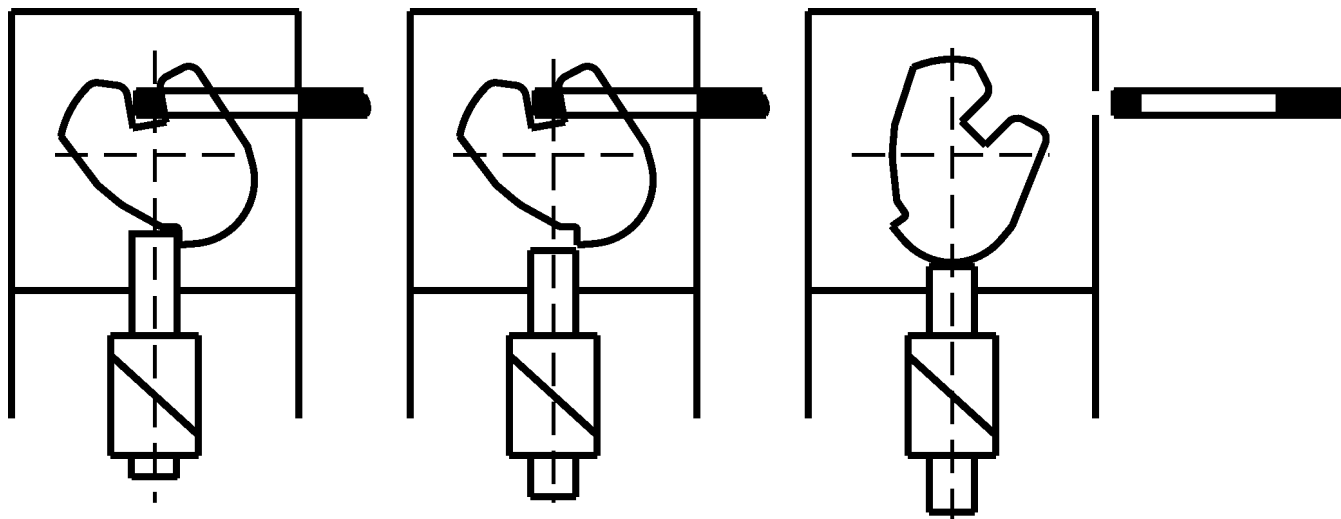
Auxiliary release

The auxiliary release on the front makes it possible to access the machine if there is a malfunction, e.g. a power failure. Unlocking is performed using a tool or a key. The auxiliary release must be protected against misuse (sealing, lacquer).

Accessories required

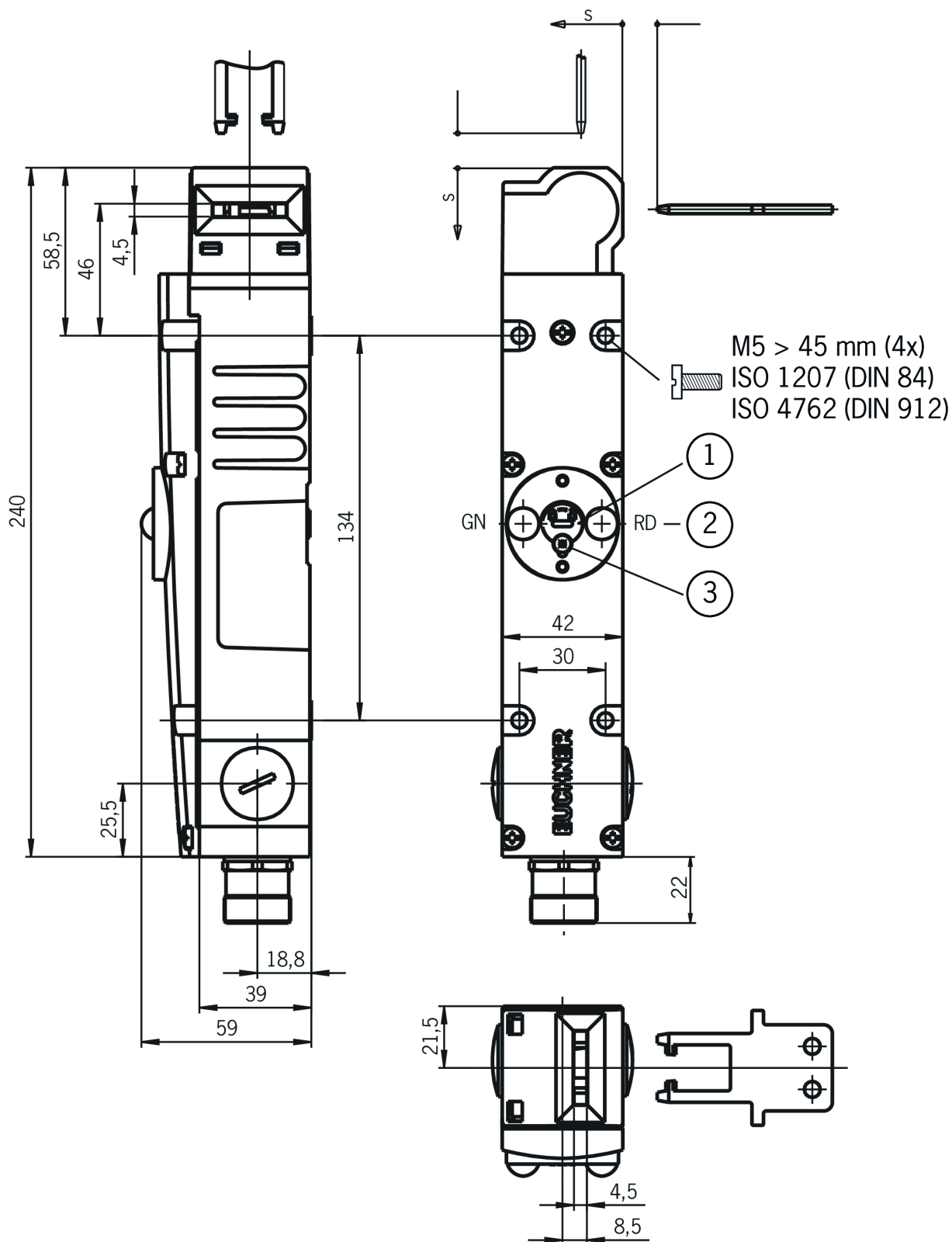
Actuator is not included.

Functional drawings



ETX B

Dimensional drawings



- 1 Auxiliary release
- 2 LED indicator
- 3 Locking screw
- s Insertion depth