

NM02RBA-M (Order no. 084517)

Safety switch NM.RB with roller plunger, long housing, cable entry M16 x 1.5

- ▶ Roller plunger, roller diameter 12 mm
- ▶ long housing
- ▶ 3 x cable entry M16 x 1.5
- ▶ 2 pos. driven contact



Approach direction



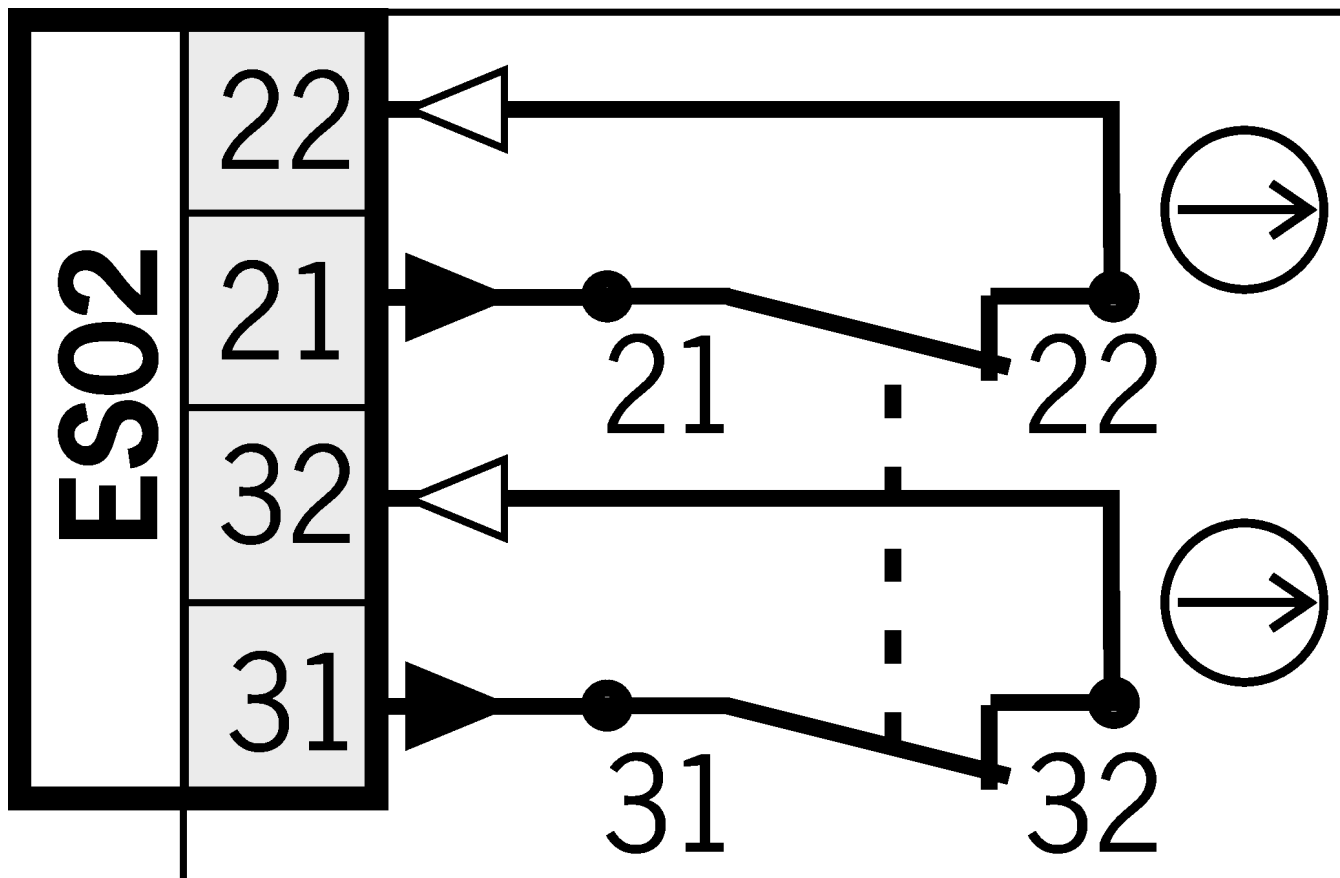
Horizontal

Can be adjusted in 90° steps

Switching element

ES02 Slow-action switching contact 2 positively driven contacts (→)

Connection examples



Shift travel diagrams

NM...WO

NM...RB

ES02

