

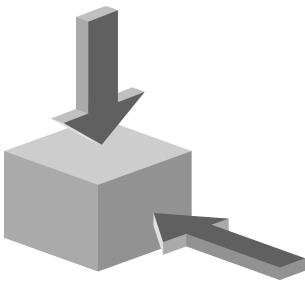
STA3A-4141A024L024RC18C1826 (Order no. 114416)

Safety switch STA, plug connector RC18, with door monitoring contact

- ▶ Auxiliary release on the front
- ▶ With door monitoring contact
- ▶ Plug connector M23 (RC18)
- ▶ With LED function display



Approach direction



Horizontal and vertical
Can be adjusted in 90° steps

Solenoid operating voltage

- ▶ AC/DC 24 V +10%, -15%

LED function display

A function display (2 LEDs, red and green) is available for the following voltage ranges:

- ▶ AC/DC 24 V +10%, -15%

Guard locking type

STA3 Closed-circuit current principle, guard locking by spring force. Release by applying voltage to the guard locking solenoid.

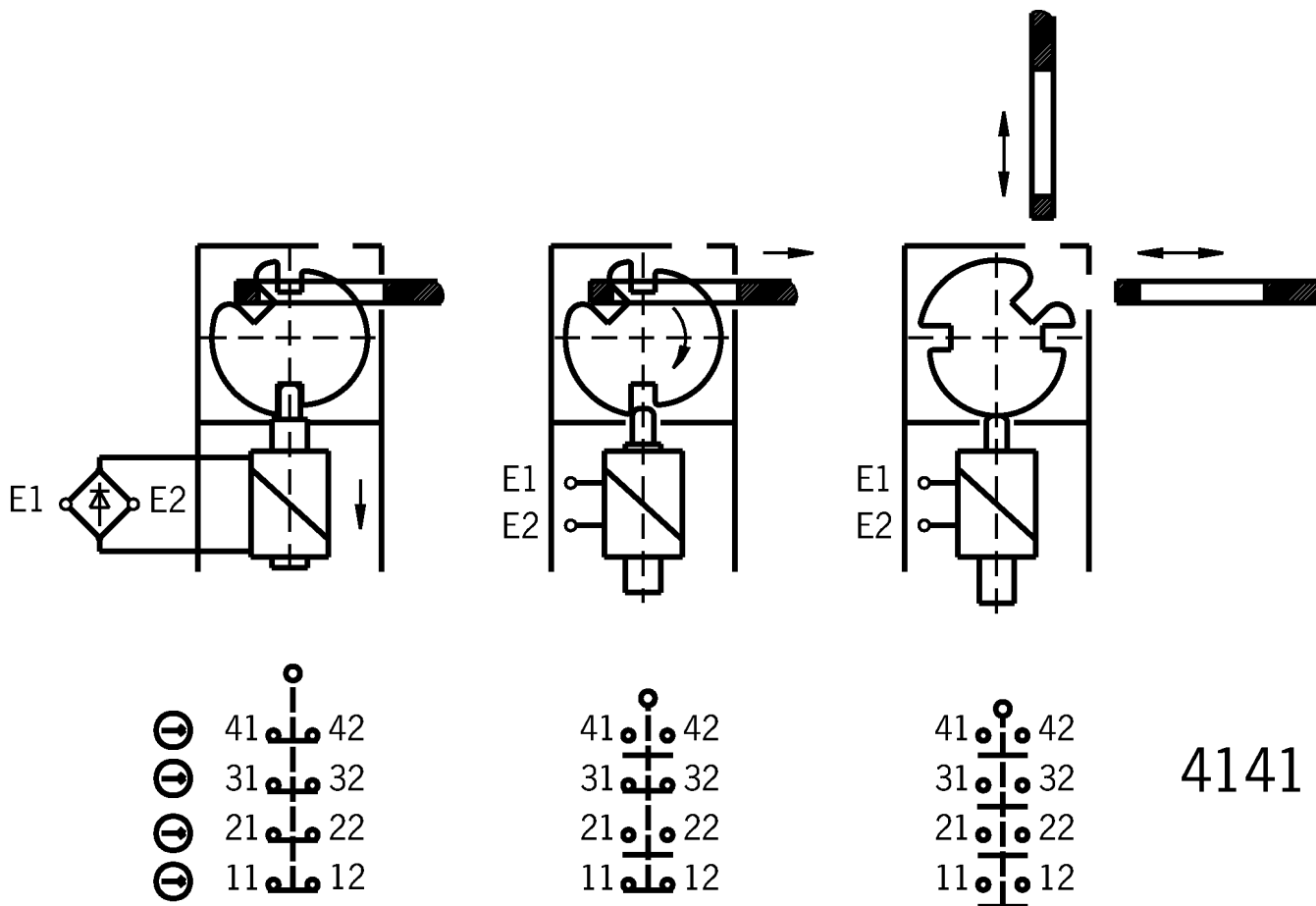
Switching element

4141 Slow-action switching contact 2 NC $\text{\textcircled{\rightarrow}}$ + 2 NC $\text{\textcircled{\rightarrow}}$ (door monitoring contact)

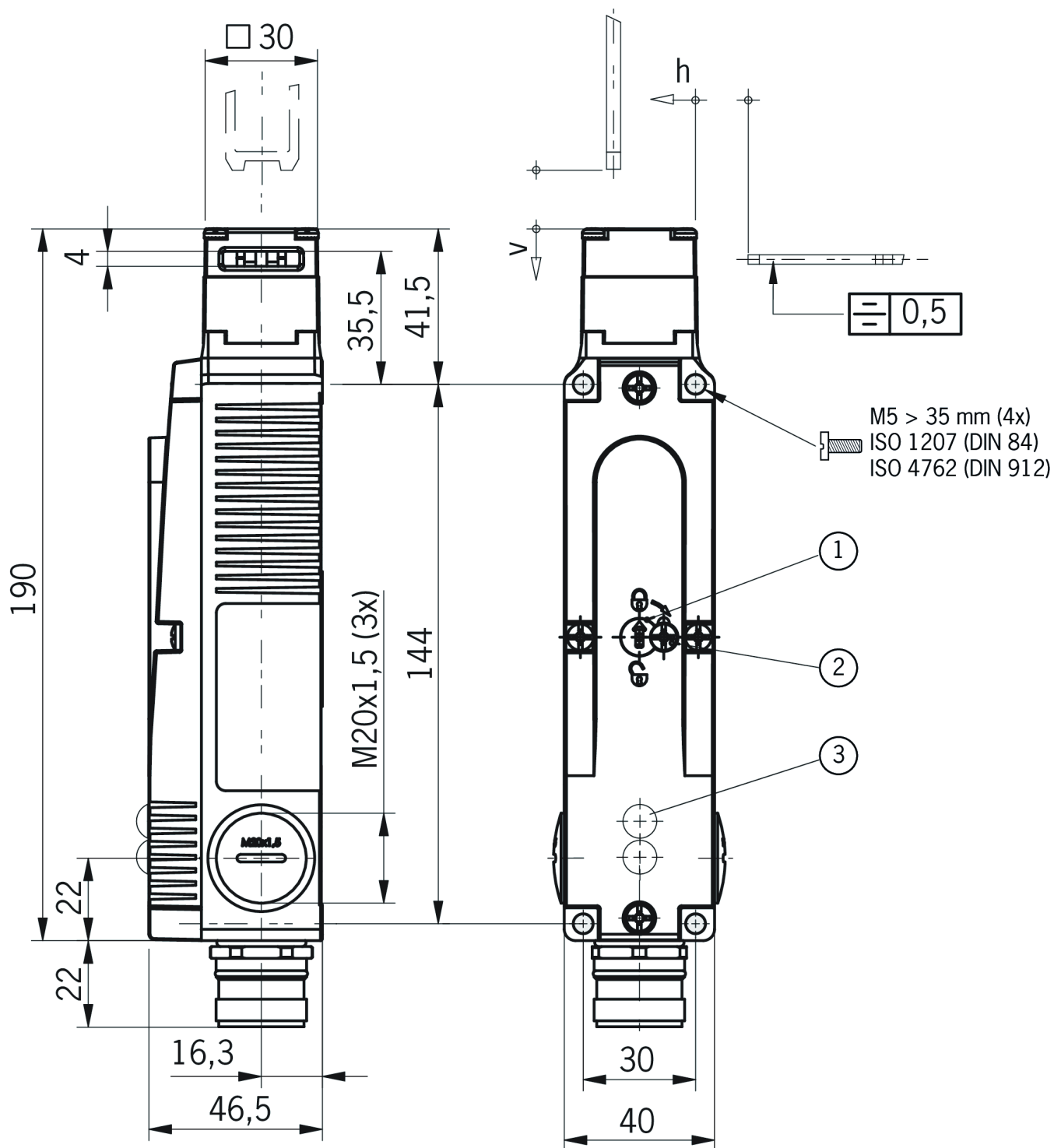
Auxiliary release

This is used for releasing the guard locking with the aid of a tool. To protect against tampering, the auxiliary release is sealed with sealing lacquer.

Functional drawings



Dimensional drawings



- 1 Auxiliary release
- 2 Locking screw
- 3 LED indicator