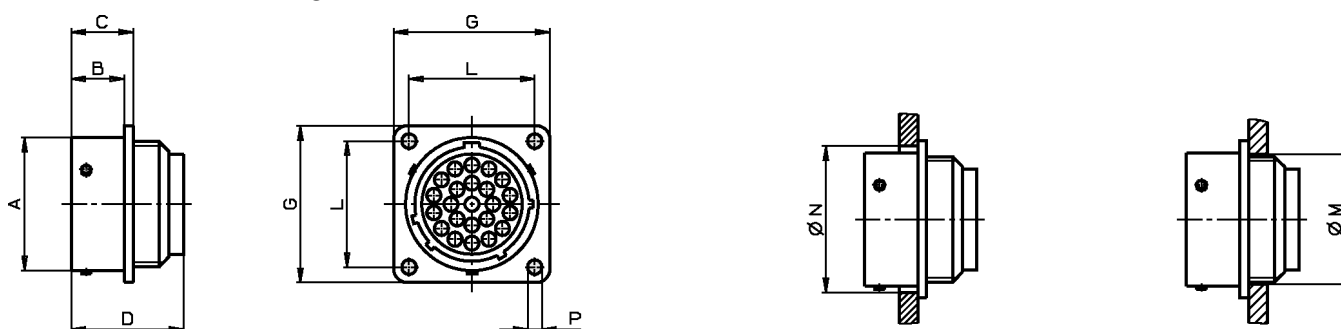


## 23POL/METALLAUSFUEHRUNG-074384 (Order no. 074384)

### Female flange connector, 23-pin

Pins	A	Bmax	Cmax	Dmax	Gmax	L	M	N	P
35	34.9	14.6	17.3	25.7	39.9	31.8	34.1	37.7	3.1
28	31.7	14.6	17.3	25.7	36.8	29.4	30.9	34.5	3.1
23	28.5	11.4	13.3	24.1	33.6	27	27.8	31.3	3.1
12	22.2	11.4	13.3	24.1	28.8	22.9	21.4	25	3.1

### Dimensional drawings



## Technical data

### Mechanical values and environment

Connection type	
Crimp contacts included	Female plug
Storage temperature	-25 ... 70 °C
Number of pins	23
Degree of protection	IP65
Plug lock	Bayonet
Material	
Plug housing	Metal

### Miscellaneous

Additional information	For crimp tool and extraction tool, see catalog
------------------------	---

## Downloads

All documentation for this material can be found on our website:

<https://www.euchner.de/en-us/a/074384/?#downloads-tab>