

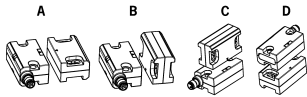
CES-I-AP-M-C04-USB-117324 (Order no. 117324)

Safety switch CES-I-AP-.-C04-..., RFID, plug connector(s) M12

- ▶ Multicode
- ▶ Monitoring output door position OD
- ▶ Connecting cable PUR, 0.2 m, plug connector M12, 5-core



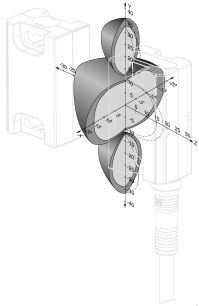
Approach direction and installation position



Permissible installation position

Typical operating distance

(Only in conjunction with actuator CES-A-BBN-C04)



For a side approach direction for the actuator and safety switch, a minimum distance of $s = 6$ mm must be maintained so that the actuating range of the side lobes is not entered.

Attention:

The actuating range may vary depending on the actuator, substrate material and installation situation. Further actuating ranges can be found in the operating instructions.

Safety characteristics

Thanks to two redundant safety outputs (semiconductor outputs) with internal monitoring, the device is suitable for:

- ▶ Category 4 /PL e according to EN 13849-1
- ▶ SIL 3 according to EN IEC 62061 Table 4

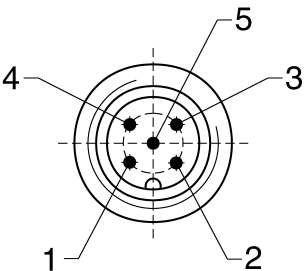
The OSSD outputs used check their function for short circuits and short circuits with test pulses.

LED indicator

STATE Status LED

DIA Diagnostics LED

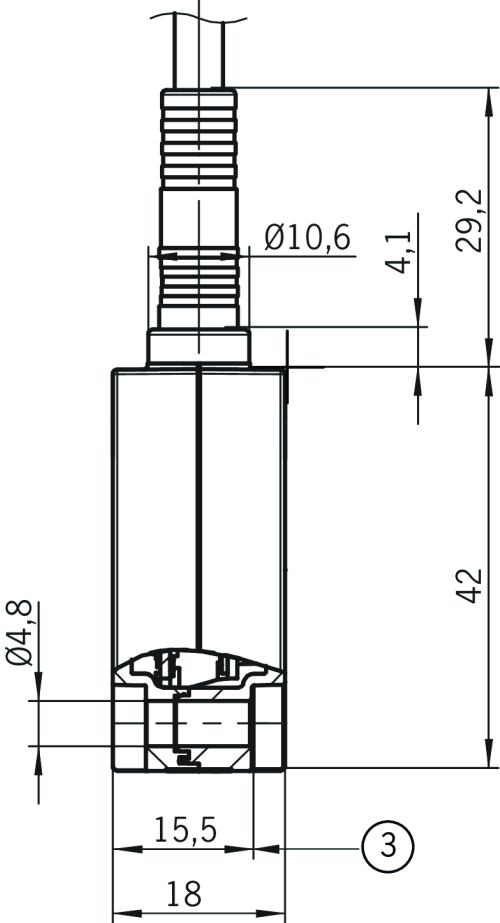
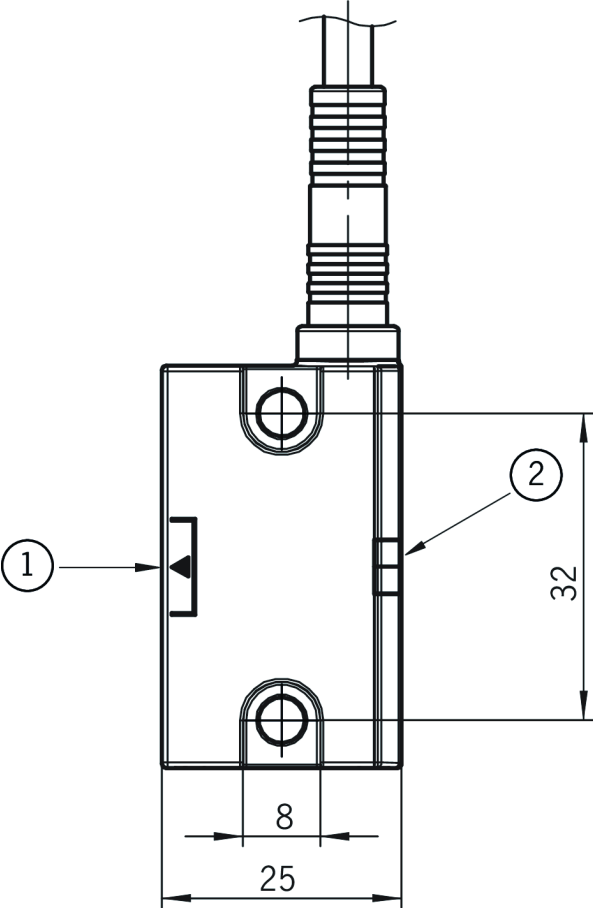
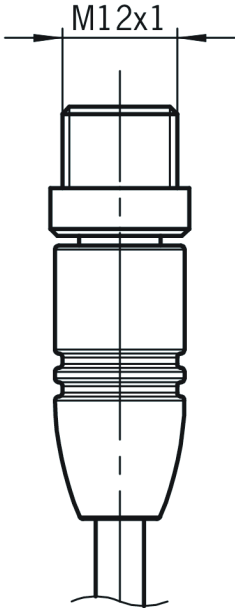
Terminal assignment

Plug connector (view of connection side)	Pin	Designation	Function	Connecting cable conductor coloring
	1	UB	Electronics operating voltage, 24 V DC	BN
	2	FO1A	Safety output, channel A	WH
	3	0 V	Weight 0 V DC	BU
	4	FO1B	Safety output, channel B	BK
	5	OD	Monitoring output	GY

Accessories required

Actuator is not included.

Dimensional drawings



- 1 Active face
- 2 LED status indication
- 3 With rubber support