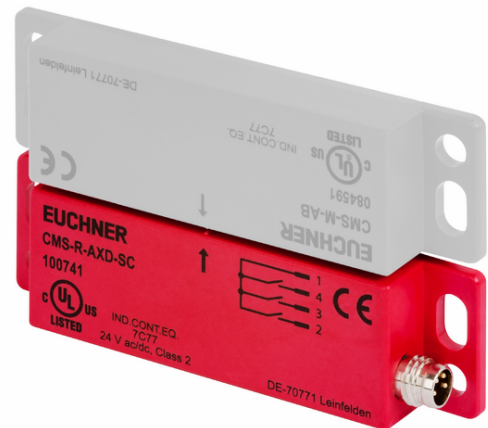


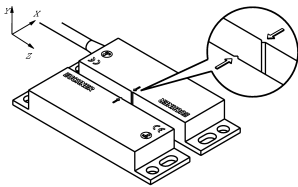
CMS-R-AXF-SC (Order no. 100743)

Read heads CMS, design A – with NO contact combinations, M8

- ▶ In combination with evaluation unit CMS-E-AR
- ▶ Cube-shaped version, 88 x 25 mm
- ▶ NO contacts wired in series
- ▶ With plug connector M8

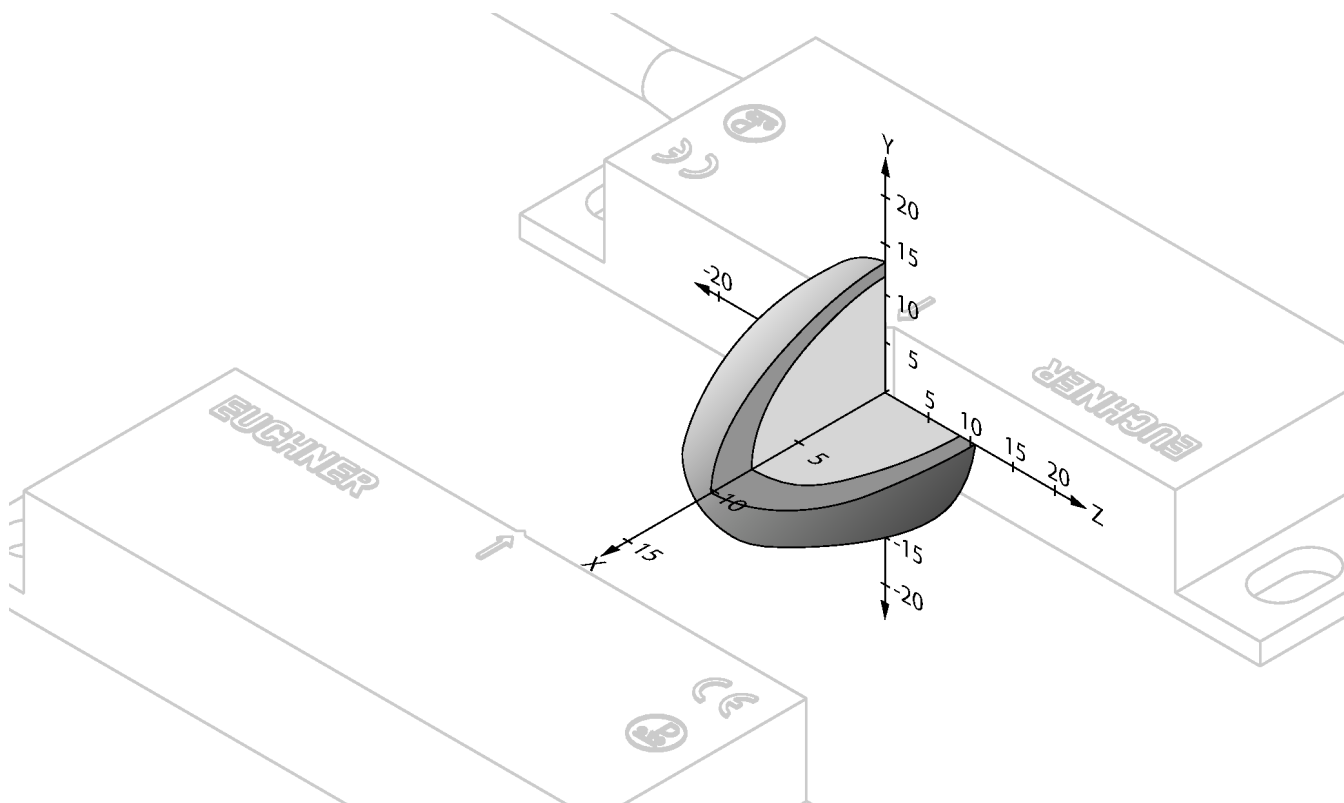


Alignment of read head and actuator



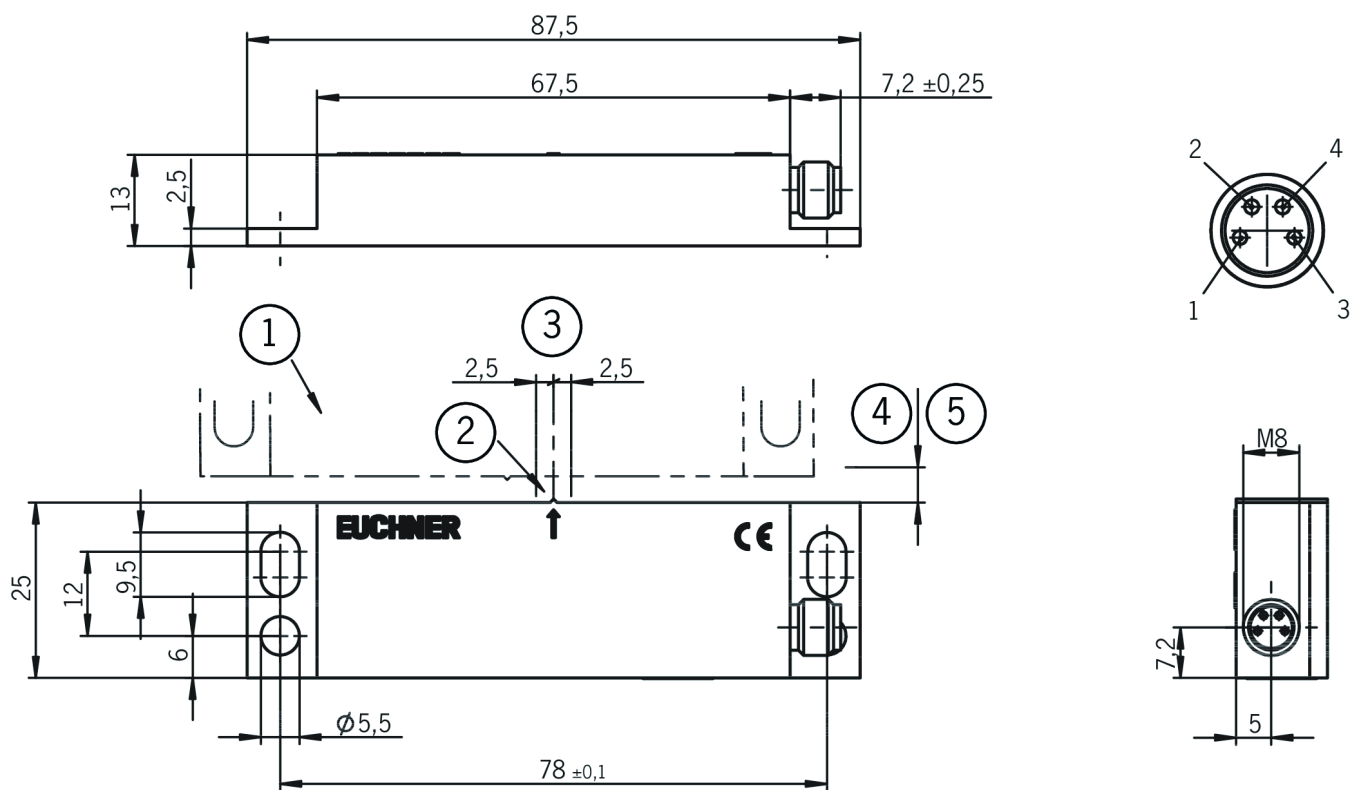
Operating diagrams, design A

CMS-R-AXF



- ▶ Typ. operating distance
- ▶ Typ. release distance

Dimensional drawings



- 1 Actuator
- 2 Active face

3 Center offset m at s=3 mm

4 Sao

5 Assured operating distance

Connection examples

