

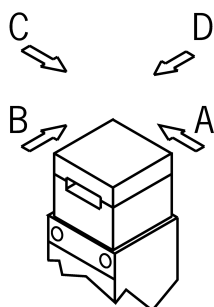
## NZ2VZ-528E (Order no. 084885)

### Safety switch NZ.VZ, plug connector SR6

- ▶ SR6 plug connector; 6-pin + PE
- ▶ 1 pos. driven contact
- ▶ 1 NO contacts



### Approach direction



Horizontal

Can be adjusted in 90° steps

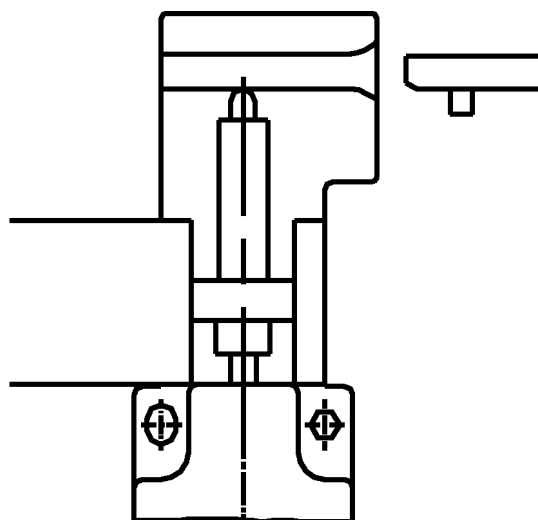
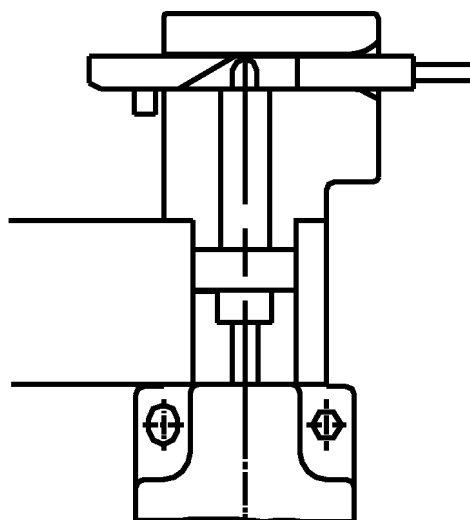
### Switching element

528H Slow-action switching contact 1 positively driven contact  $\rightarrow$  + 1 NO contact

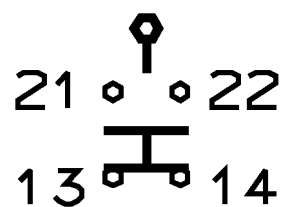
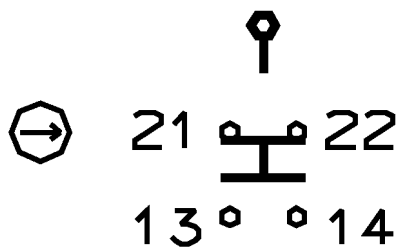
### Accessories required

Actuator is not included.

Functional drawings



511  
528



## Dimensional drawings

