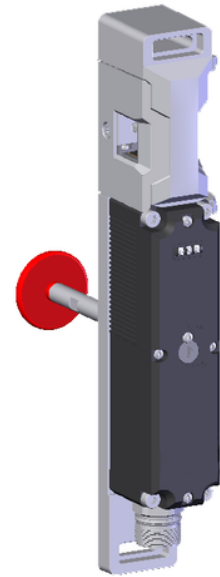


MGBS-P-L2-AR-U-R-AE-SH-164353 (Order no. 164353)

MGBS-AR, M23, with escape release, door hinge on right

- ▶ Locking module (order handle module separately)
- ▶ Adjustable door hinge; factory setting: right
- ▶ Series connection possible (up to 20 AR devices in series)
- ▶ Short circuit monitoring
- ▶ 2 safety outputs (semiconductor outputs)
- ▶ Up to category 4 / PL e according to EN ISO 13849-1
- ▶ With plug connector M23
- ▶ Unicode
- ▶ Door position monitoring output
- ▶ With escape release (order inner door handle separately)



Door hinge

The door hinge can be changed.

Unicode evaluation

Each handle module is highly coded (unicode). The locking module detects only handle modules that have been taught-in. Additional handle modules can be taught-in. Only the last handle module taught-in is detected.

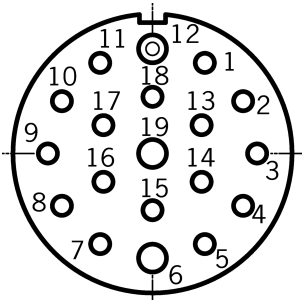
Guard locking type

MGBS- Guard locking actuated by power-ON and released by spring force (open-circuit current
L2 principle).

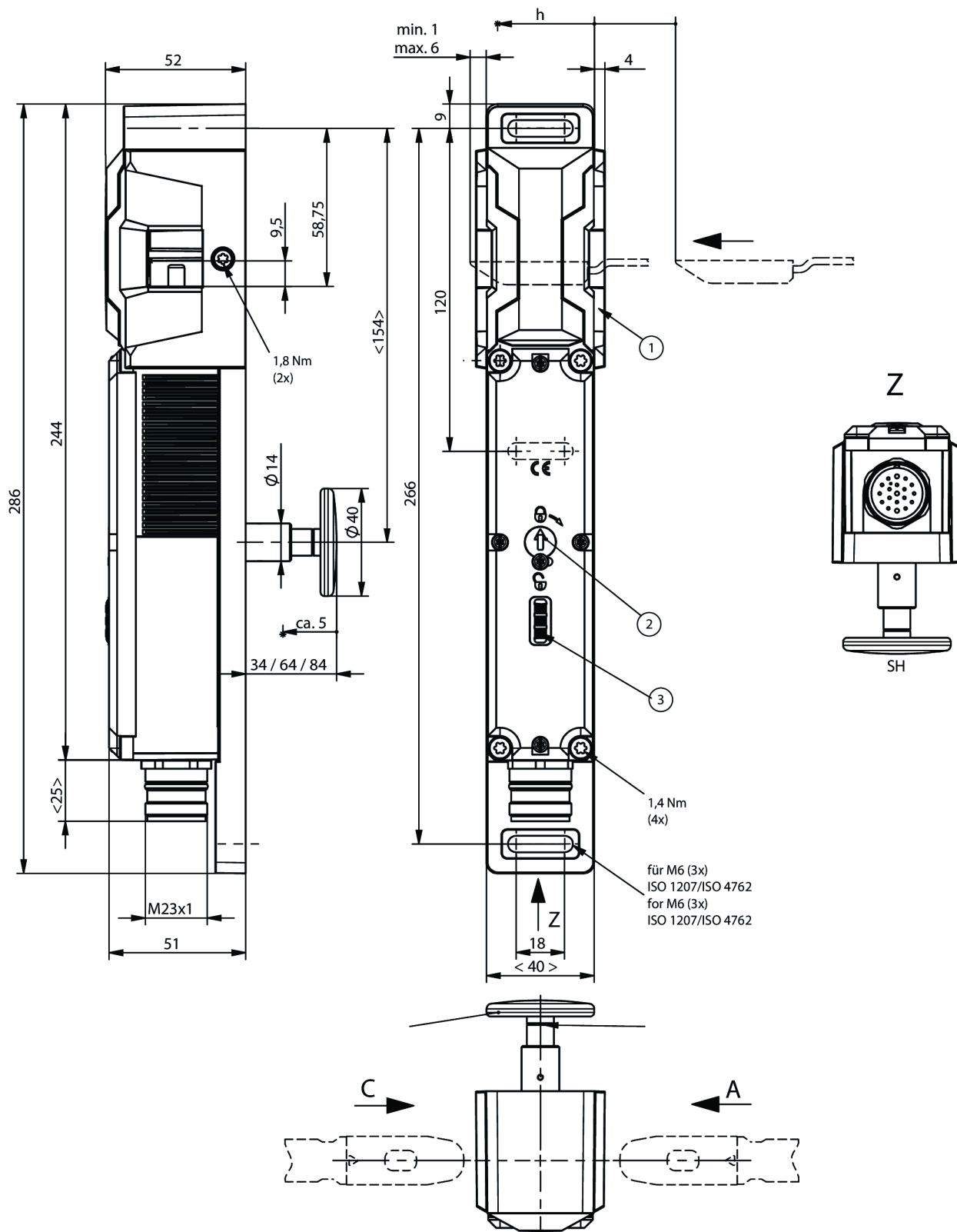
Escape release

It is used for manual release of the guard locking without tools in an emergency. The inner door handle permits escape from the danger zone.

Connector assignment

Plug connector (view of connection side)	Pin	Designation	Function	Connecting cable conductor coloring
	1	IMP	Solenoid operating voltage, 24 V DC	VT
	2	FI1A	Enable input, channel A	RD
	3	FI1B	Enable input, channel B	GY
	4	FO1A	Safety output, channel A	RD/BU
	5	FO1B	Safety output, channel B	GN
	6	UB	Electronics operating voltage, 24 V DC	BU
	7	RST	Reset input	GY/PK
	8	OD	Door position monitoring output	GN/WH
	9	OI	Diagnostic monitoring output	YE/WH
	10	OL	Guard lock monitoring output	GY/WH
	11	-	n.c.	BK
	12	FE	Functional earth (must be connected to meet the EMC requirements)	GN/YE
	13	-	n.c.	PK
	14	-	n.c.	BN/GY
	15	-	n.c.	BN/YE
	16	-	n.c.	BN/GN
	17	-	n.c.	WH
	18	IMM	Solenoid operating voltage, 0 V DC	YE
	19	0VUB	Electronics operating voltage, 0 V DC	BN

Dimensional drawings



- 1 Door hinge left/right
- 2 Auxiliary release
- 3 LEDs