

NG1RG-510-M (Order no. 079941)

Position switch NG.RG

- ▶ Plunger actuator RG (roller plunger, plastic roller)
- ▶ Cable entry M20 x 1.5



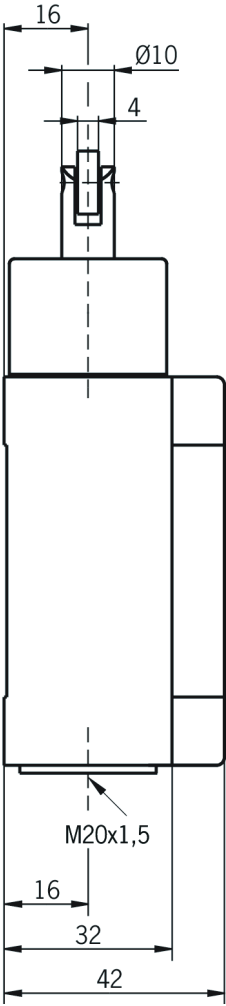
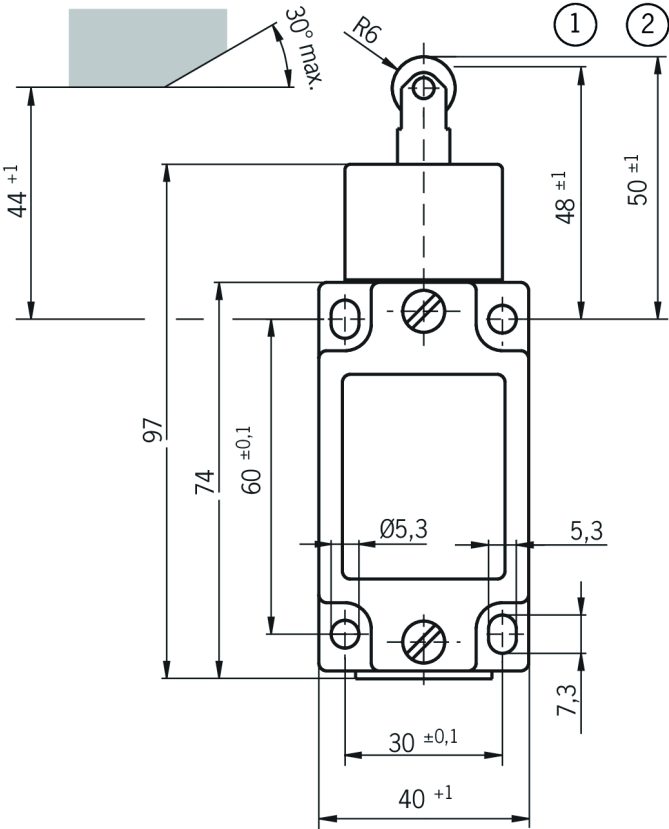
Switching element

510 Snap-action switching contact 1 NC + 1 NO

Adjustment options

Horizontal 4 x 90°

Dimensional drawings



- 1 Operating point
- 2 Free position

Connection examples

