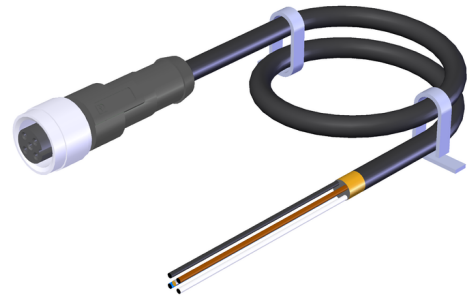


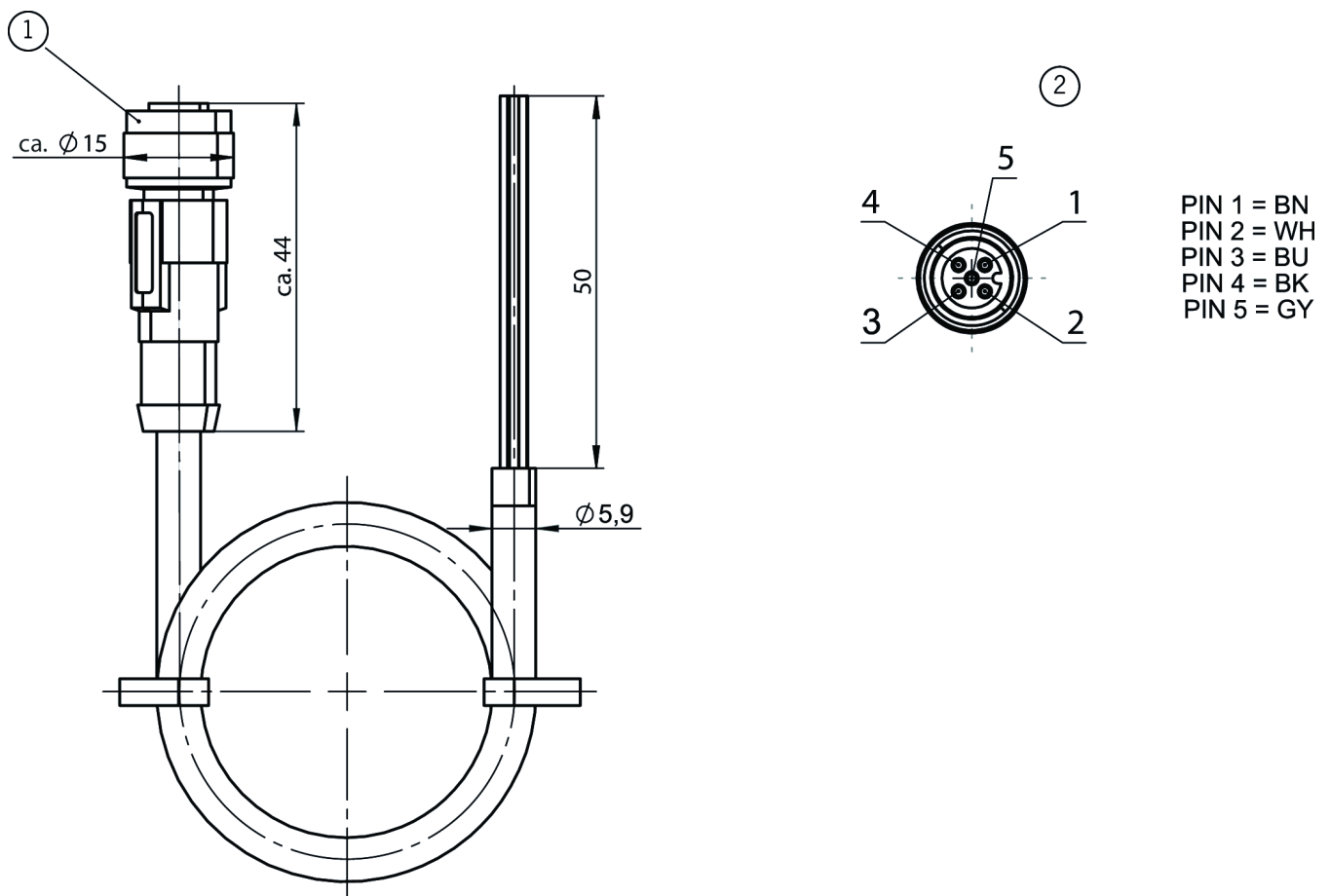
## C-M12F05-05X034PV50,0-MA-156064 (Order no. 156064)

### Connecting cable with straight plug connector M12, 5-pin, 50 m

- ▶ M12 female plug, 5-pin
- ▶ Straight plug connector
- ▶ PVC cable
- ▶ Cable length 50 m
- ▶ With flying lead



### Dimensional drawings



1 Female plug M12x1, 5-pin

2 Terminal assignment as seen from the connection side

## Technical data

### Approvals



### Electrical connection values

Rated voltage	DC	60 V
Rated impulse voltage $U_{imp}$		1.5 kV
Nominal current	at 25 °C	4 A
specific inductance		0.53 mH/km
specific capacitance		100 nF/km
specific conductor resistance		58 $\Omega$ /km
<b>Connection 1</b>		
Degree of contamination according to EN 60664-1		3

### Mechanical values and environment

Conductor identification		Color code
Conductor cross-section		0.34 mm <sup>2</sup>
Number of conductors		5
Dynamic bending radius		15 x cable diameter
Static bending radius		5 x cable diameter
Fire behavior		flame retardant according to UL-Style 2464
Storage temperature		-25 ... 80 °C
Cable type		straight
Cable diameter	approx.	5.9 mm
Cable length		50 m
Sheath color		black
Drag chain suitability		No

Cable ambient temperature (dynamic)	-5 ... 80 °C
Cable ambient temperature (static)	-25 ... 80 °C
UV resistance	moderately UV resistant

Material

Conductor insulation	PVC
Conductor	Cu flexible wire bare
Sheath	PVC

**Connection 2**

Conductor end	Sheath stripped
Connection type	flying lead

**Connection 1**

Connection type	Plug connector M12x1
Connection type	Female plug
Tightening torque	0.5 Nm
Insulating material group	I
Cable outlet	straight
Number of pins	5
Degree of protection	IP67 (in the inserted state)
Plug lock	Screw connection
Insertion cycles	100

Material

Plug lock	CuZn, nickel plated
Plug housing	TPU