

## CES-AP-C01-CH-SB-106798 (Order no. 106798)

### Safety switch CES-AP-C01-..., RFID, plug connector(s) M12

- ▶ Multicode
- ▶ Monitoring output diagnosis DIA
- ▶ Plug connector M12, 5-pin

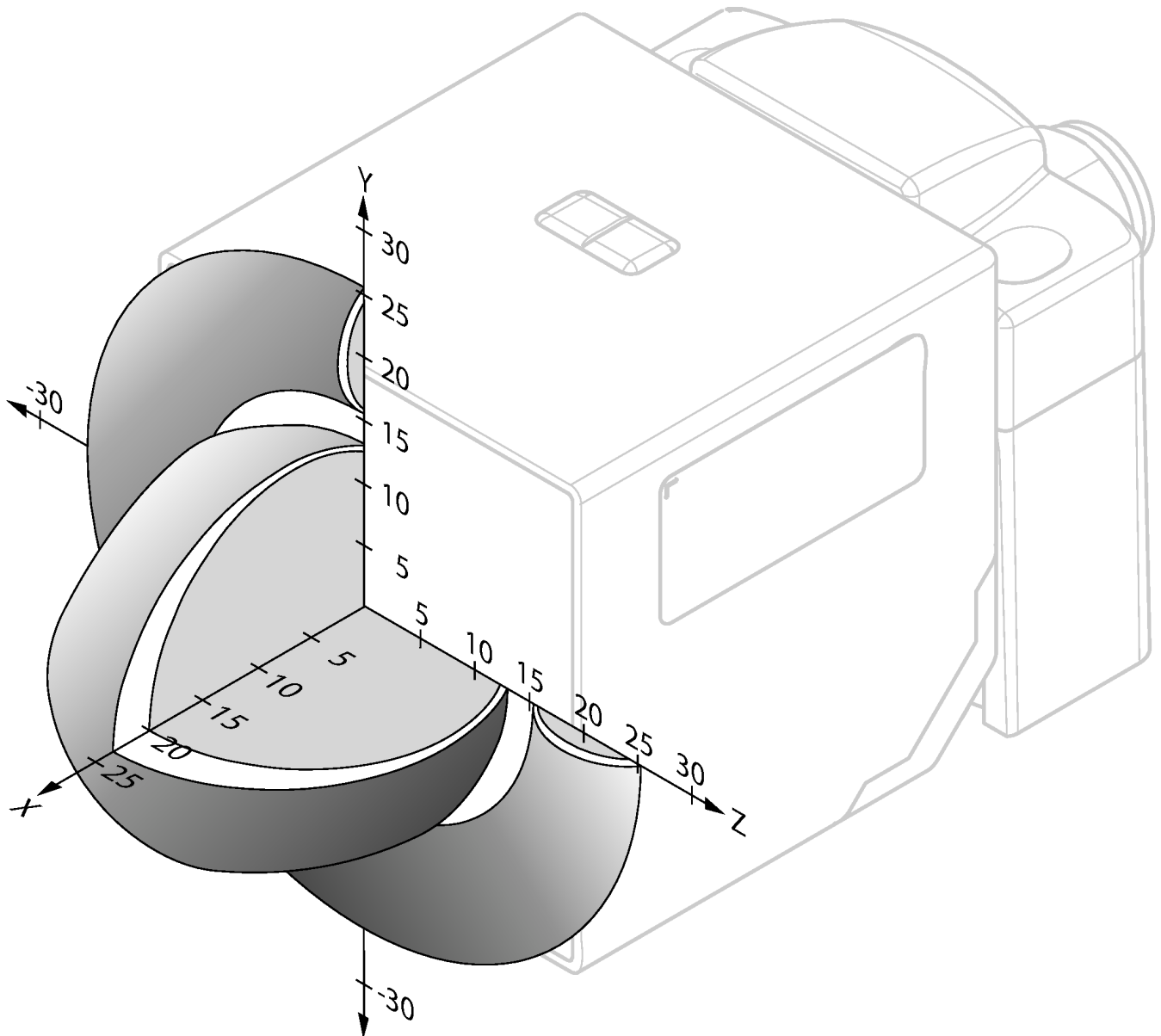


### Approach direction and installation position

1 active face, adjustable in 5 directions

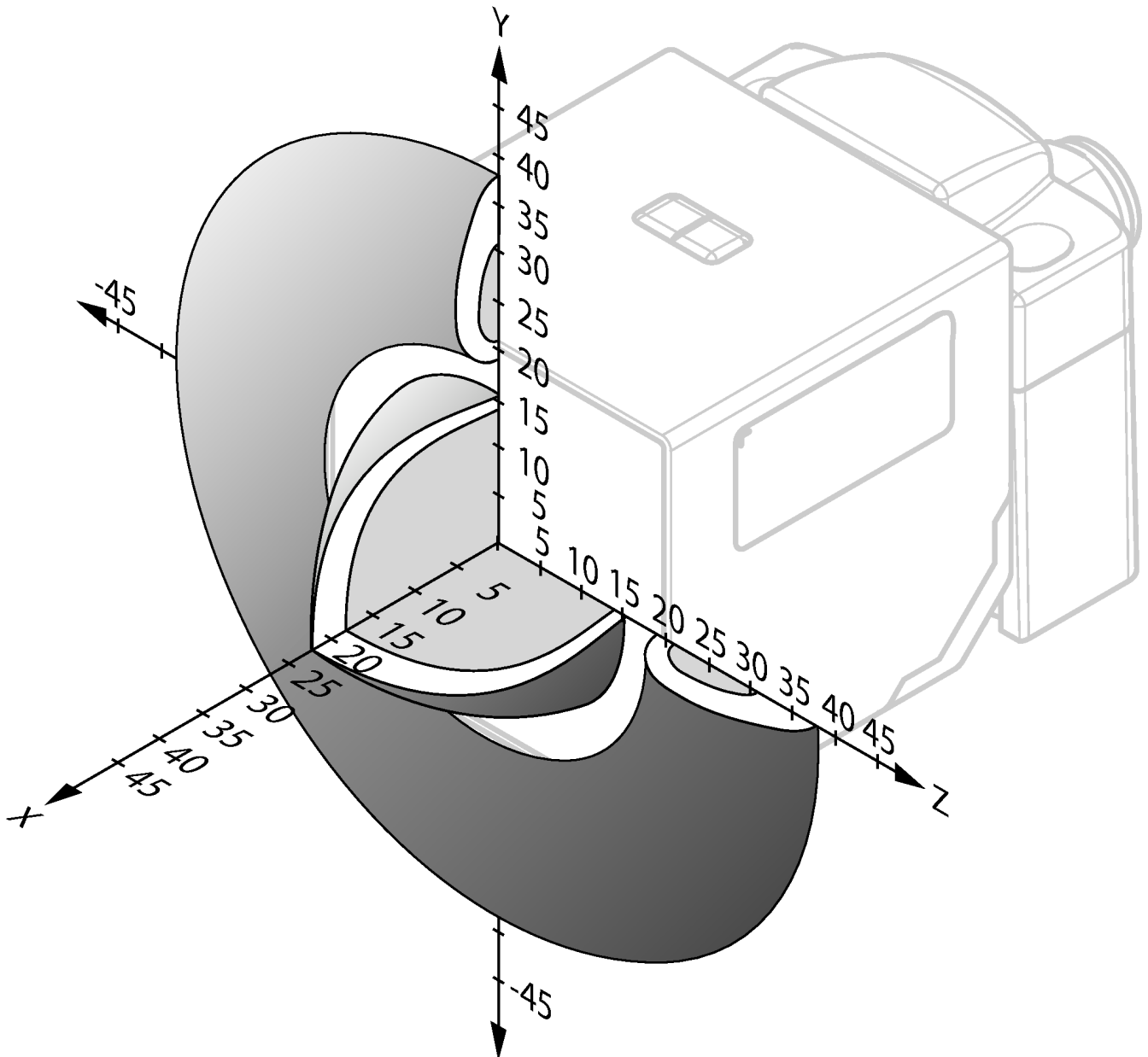
### Typical actuating ranges

With actuators CES-A-BBA and CES-A-BCA



For a side approach direction for the actuator and safety switch, a minimum distance of  $s = 4$  mm must be maintained so that the actuating range of the side lobes is not entered.

With actuator CES-A-BPA



For a side approach direction for the actuator and safety switch, a minimum distance of  $s = 6 \text{ mm}$  must be maintained so that the actuating range of the side lobes is not entered.

**Attention:**

The actuating range may vary depending on the actuator, substrate material and installation situation. Further actuating ranges can be found in the operating instructions.

**Multicode evaluation**

The system checks whether the actuator type is one that can be recognized by the system (multicode evaluation). The system has a low coding level. Every suitable actuator is recognized by the switch.

**Safety characteristics**

Thanks to two redundant safety outputs (semiconductor outputs) with internal monitoring, the device is suitable for:

- ▶ Category 4 /PL e according to EN 13849-1