

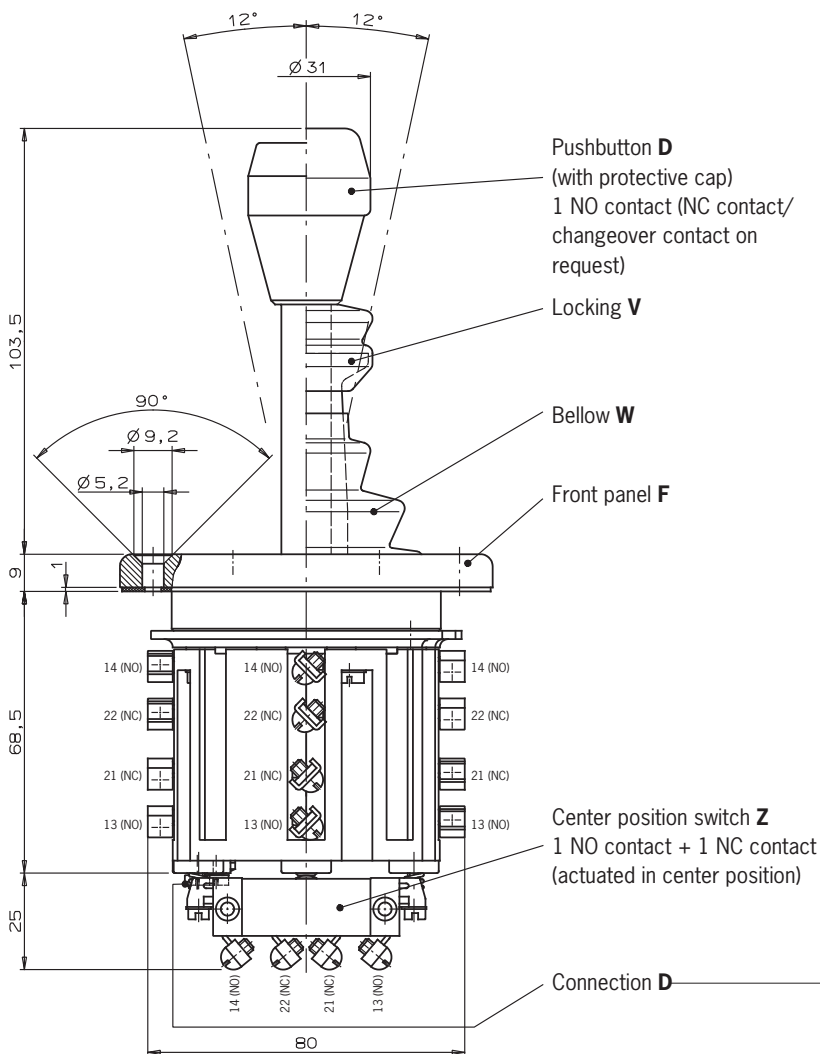
Series WE...

Germanischer Lloyd
Certificate no. 17 041 - 00 HH

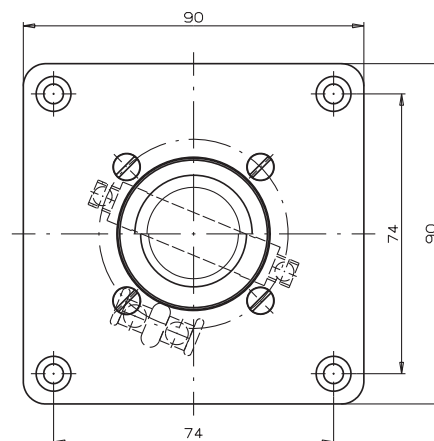


- ▶ Front panel installation at rear or with front panel
- ▶ 1 to 8 actuating directions with stayput switches, spring return switches or combined
- ▶ One changeover contact with screw terminal for each actuating direction
- ▶ Center position switch
- ▶ Pushbutton in handle

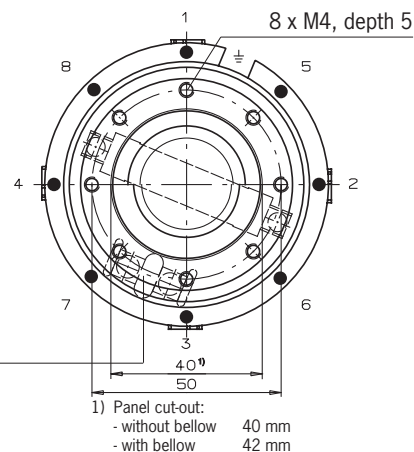
Dimension drawing



Version for front panel



Version for installation and actuating directions



Ordering code

W	E								
----------	----------	--	--	--	--	--	--	--	--

Series _____

Actuating direction and switching characteristics

Stayput switch **S** (switching lever engages in selected position)
 Spring return switch **T** (switching lever returns to center position)

Options

Pushbutton **D**
 Bellow **W**
 Locking **V**
 Center position switch **Z**
 All-round actuation **R**
 Front panel **F**

Technical data

Parameter	Value	Unit
Housing material	Reinforced thermoplastic/aluminum	
Switching lever material	Galvanized steel	
Degree of protection acc. to IEC 529	IP 65/IP 54	
Actuating side with/without bellow		
Mounting	Front panel installation at rear or with front panel	
Weight	Approx. 0.7	kg
Mechanical life	1x10 ⁶ operating cycles	
Ambient temperature with spring return switch	-5 to +65	°C
Ambient temperature with stayput switch	-25 to +65	°C
Storage temperature	-40 to +50	°C
Max. number of switching elements	8	
Connection	Screw terminal	
Switching contacts	Changeover contact Za IEC 947-5-1	
Switching principle	Snap-action contact element, design ES 502V1	
Rated insulation voltage U _i	250	V
Rated impulse withstand voltage U _{imp}	2.5	kV
Utilization category AC 15	230 V/10 A	
Utilization category DC 13	24 V/4 A	
Switching current, min., at 24 V	50	mA
Switching voltage, min.	24	V
Contact material	Silver alloy	
Short circuit protection (control circuit fuse)	T16/F25	A
Max. number of actuating directions	8	
All-round actuation R (spring return switch only)	1 switching element is actuated per actuating direction	
Switch positions per direction	1	
Stayput switch S (latching)	According to order designation	
Spring return switch T (automatic return)	According to order designation	
Bellow W	Option	
Locking V in center position	Option	
Center position switch Z	Option (1 NO contact + 1 NC contact)	
Pushbutton D	Option	
Degree of protection acc. to IEC 529	IP 65	
Life	5x10 ⁴ operating cycles at 0.7 A/250 V AC	
Switching contact	1 x NO contact (NC contact/changeover contact on request)	
Utilization category AC 15	230 V/2 A	
Utilization category DC 13	24 V/1 A	
Switching current, min., at 24 V	12	mA
Switching voltage, min.	10	V
Actuating force	< 8	N
Actuating travel	Approx. 3	mm

Ordering examples

Joystick switch series **WE**, actuating directions **1+3** stayput switch **S**,
actuating directions **2+4** spring return switch **T**, pushbutton **D**, center position switch **Z**,
locking **V** in center position

WE S13 T24 DZV

Joystick switch series **WE**, 8 switching elements as spring return switch, all-round actuation **R**

WE T1-8 R

Version

Joystick switch series **WE**, 4 switching elements, 2 actuating directions
(2 switching elements per actuating direction)

On request