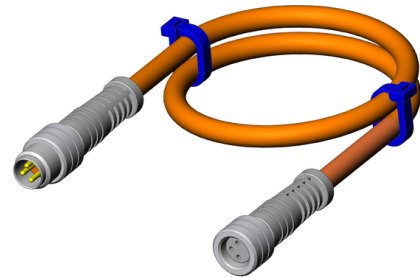


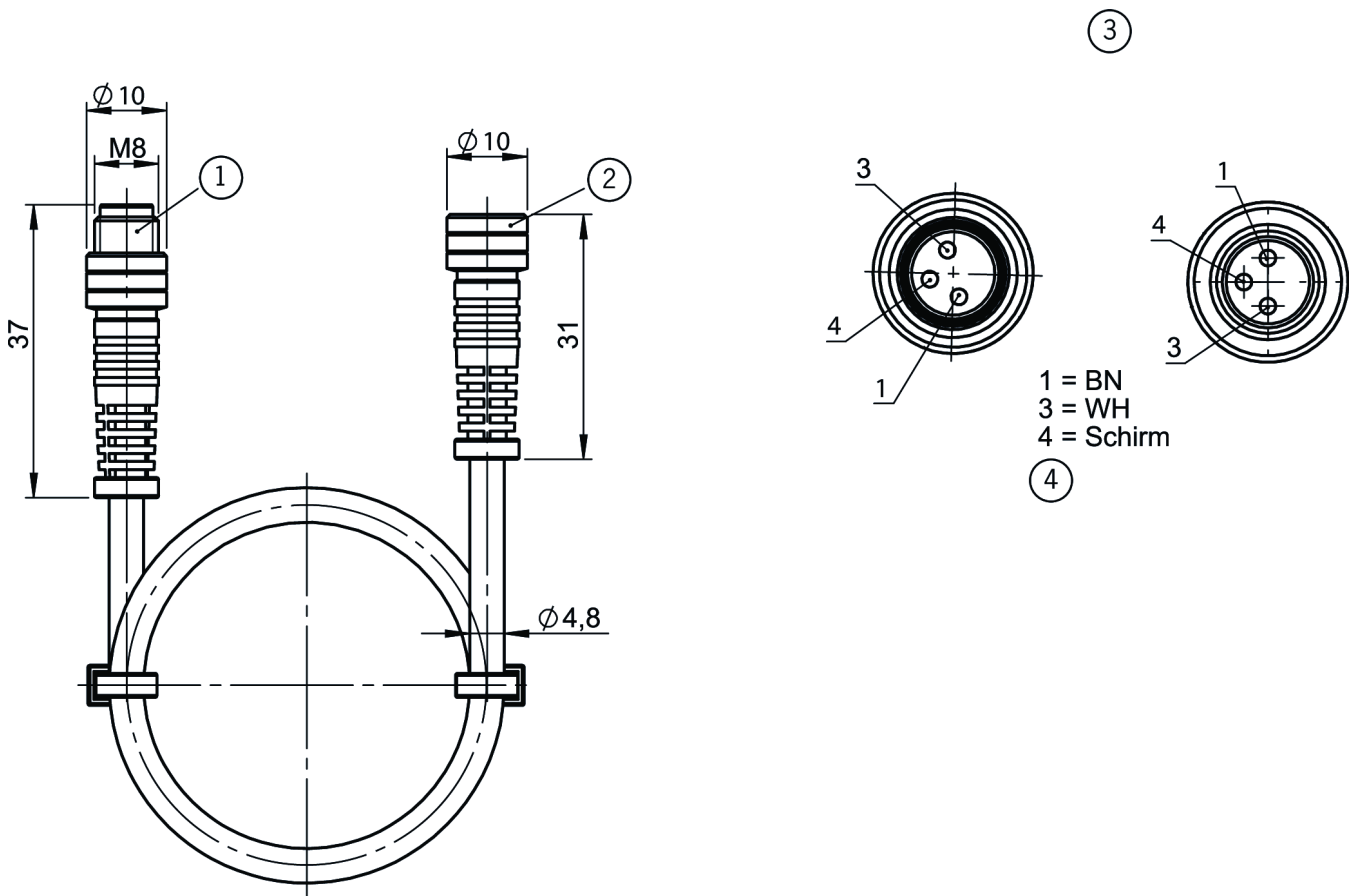
C-M08M03-02X025PU0,4-M08F03-115464 (Order no. 115464)

Extension for read head, with plug connector M8, 3-pin, 0.4m

- ▶ Extension cable with M8 plug connector, 3-pin
- ▶ Straight plug connector
- ▶ PUR cable
- ▶ Cable length 0.4 m



Dimensional drawings



1 Cable connector M8 3-pin

2 Cable socket M8 3-pin

3 Terminal assignment as seen from the connection side

4 Notice: Shielding on the cable must be connected to pin 4 in the socket and the plug. Screening is not allowed to have any electrical contact with the housing or the gland.