

CES-A-V1B-04B-AS1 (Order no. 100206)

Evaluation unit CES-A-.1B-04B-AS1 for connection to AS-Interface (for 4 read heads)

- ▶ Evaluation unit for direct connection of up to four CES read heads
- ▶ LED diagnostic displays
- ▶ Multicode evaluation



Connection of a read head CES

The CES series read heads can be connected to the evaluation unit using an M12 plug connector. The read heads are not included with the evaluation unit.

Connection of a read head CEM or CET

An additional standard AS-Interface module with outputs (DO) is required for connection of these read heads.

Versions

Multicode: All EUCHNER actuators are recognized without a teach-in operation.

Actuator

An actuator with programmed code to suit the read head selected is needed.

AS-Interface inputs

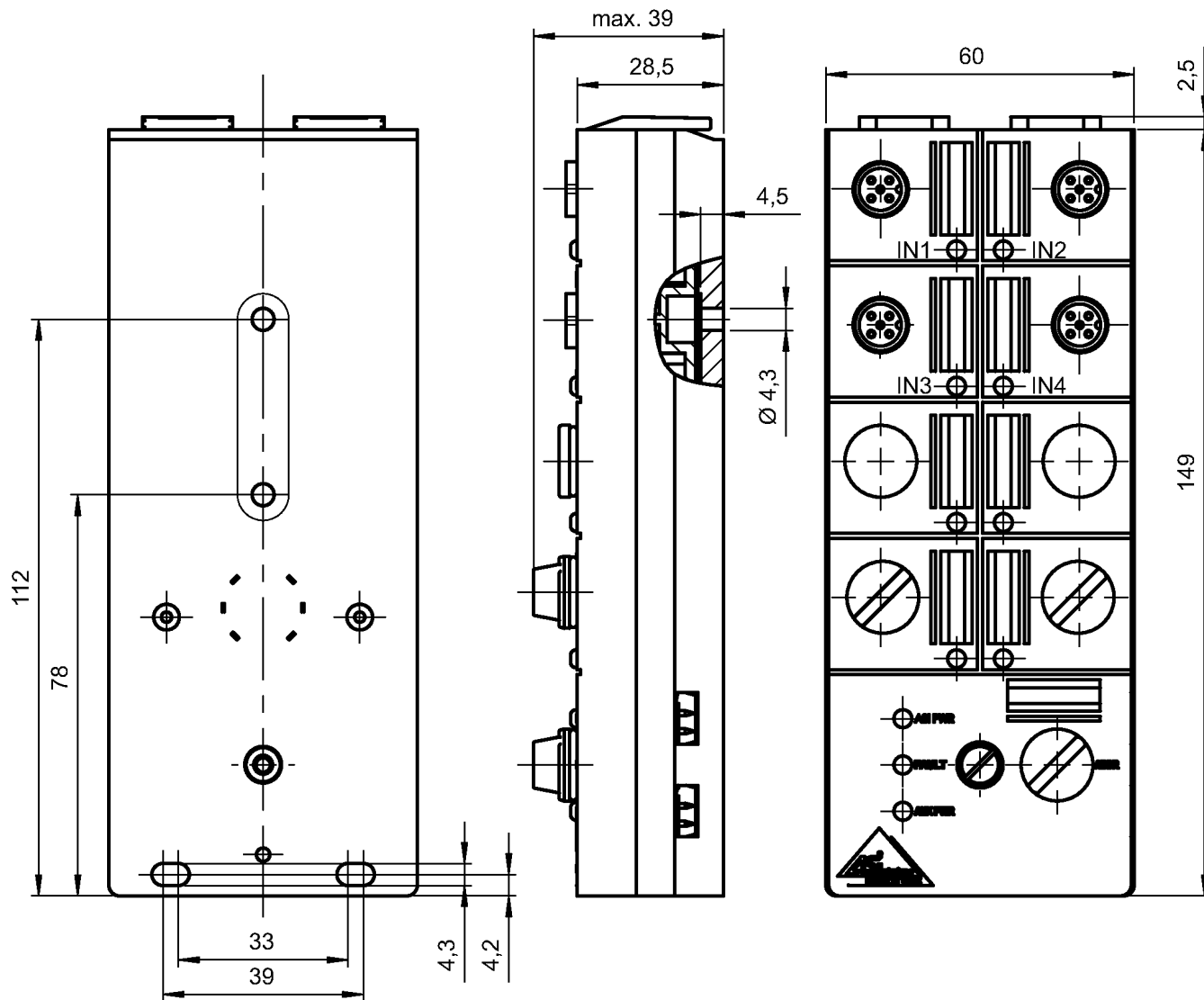
D0 – D3 Input IN for CES read head

Evaluation is performed via a safety monitor.

Principle of operation

The non-contact safety systems CES operate on the basis of a uniquely electronically coded actuator (transponder). The transponder (actuator) receives and processes the electromagnetic field from a transceiver (read head), and the data signals are then sent back to the read head as a response depending on the transponder coding. Power is supplied and data transmitted to the coded actuator by induction using a read head.

Dimensional drawings



Technical data

Approvals



Workspace

Repeat accuracy R

according to EN 60947-5-2 10 %

Operating and display elements

Item	Color	Extras	Switching element	Note slide-in label	Version	Slide-in label	Number	Designation1	LED
		Teach-in mode			DIP switch				
		Read head activation			DIP switch (1,2,3,4)				

Electrical connection values

ASi operating current max. 130 mA

AS-Interface LED

green Power

red Fault

AS-Interface protocol ASi-3

ASi data in D0 - D3 = evaluation of read heads

AS-Interface parameters P0 - P3 = read head 1 - 4

AS-Interface slave type ID-Code: B, EA-Code: 0

ASi voltage 22.5 ... 30 ... 31.6 V

Mechanical values and environment

Connection type

Read heads M12 plug connector

AS-i Penetration contacts

Number of read heads 4 read heads per evaluation unit

Ready delay 10 ... 12 s