

ZSA1A5G05AC1917 (Order no. 082524)

ZSA, 2-stage with cable

- ▶ Housing G1
- ▶ 2-stage function
- ▶ Straight connecting cable, 5 m



Switching element

10 1 S

Cable

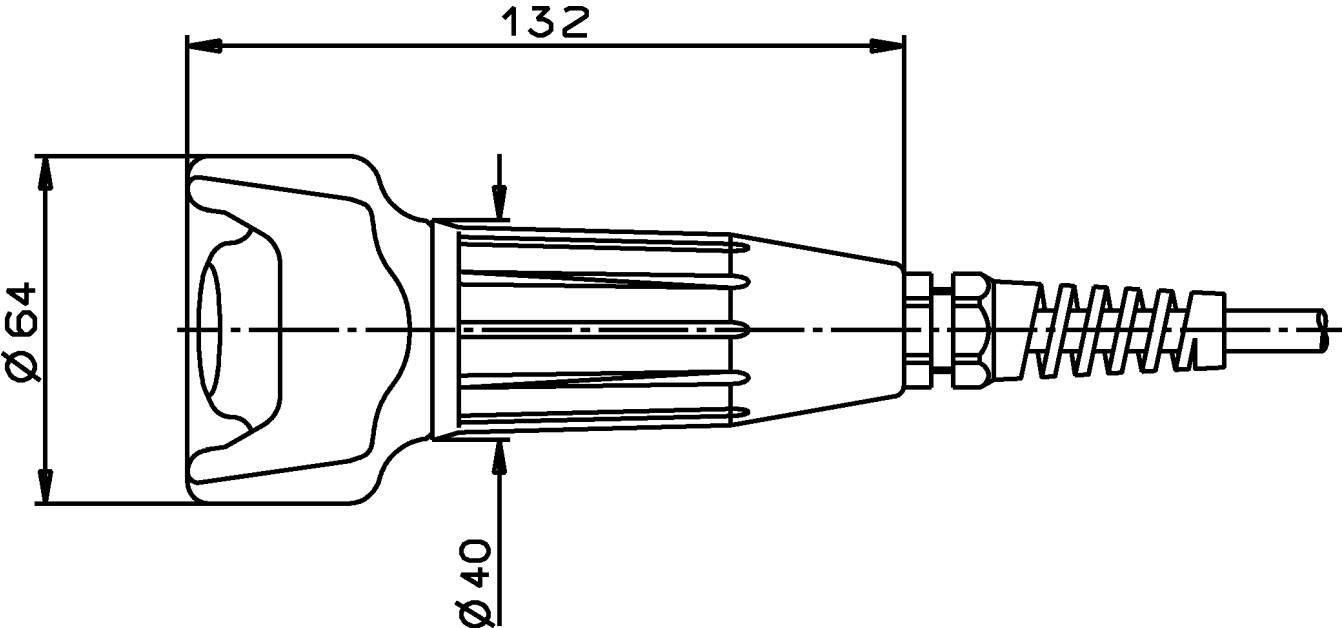
The high-quality connecting cables (individual screening of the safety contacts) are available in a straight version.

2-stage function

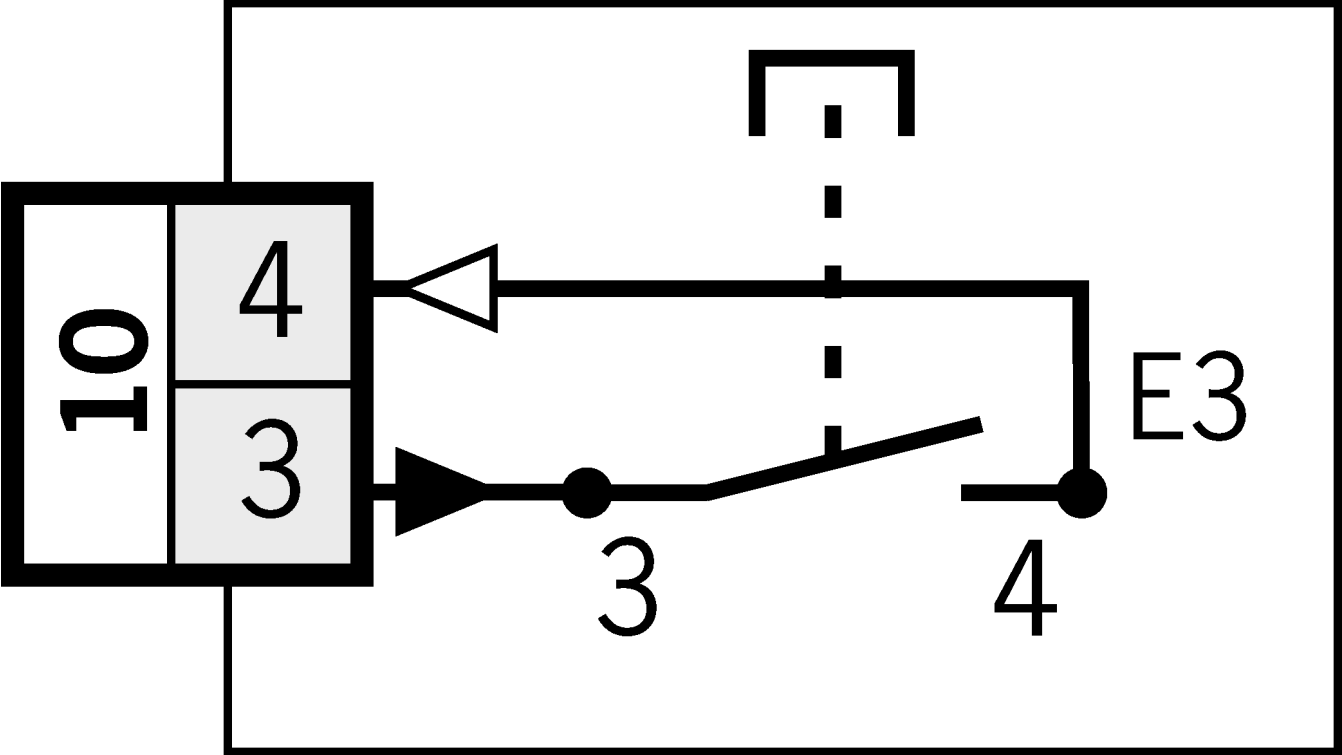
Enabling function is active in the second stage (pressed position). When the button is released, the enabling is removed (see function sequence).

As per VDI 2854, a device comparable to an EMERGENCY STOP device must be fitted!

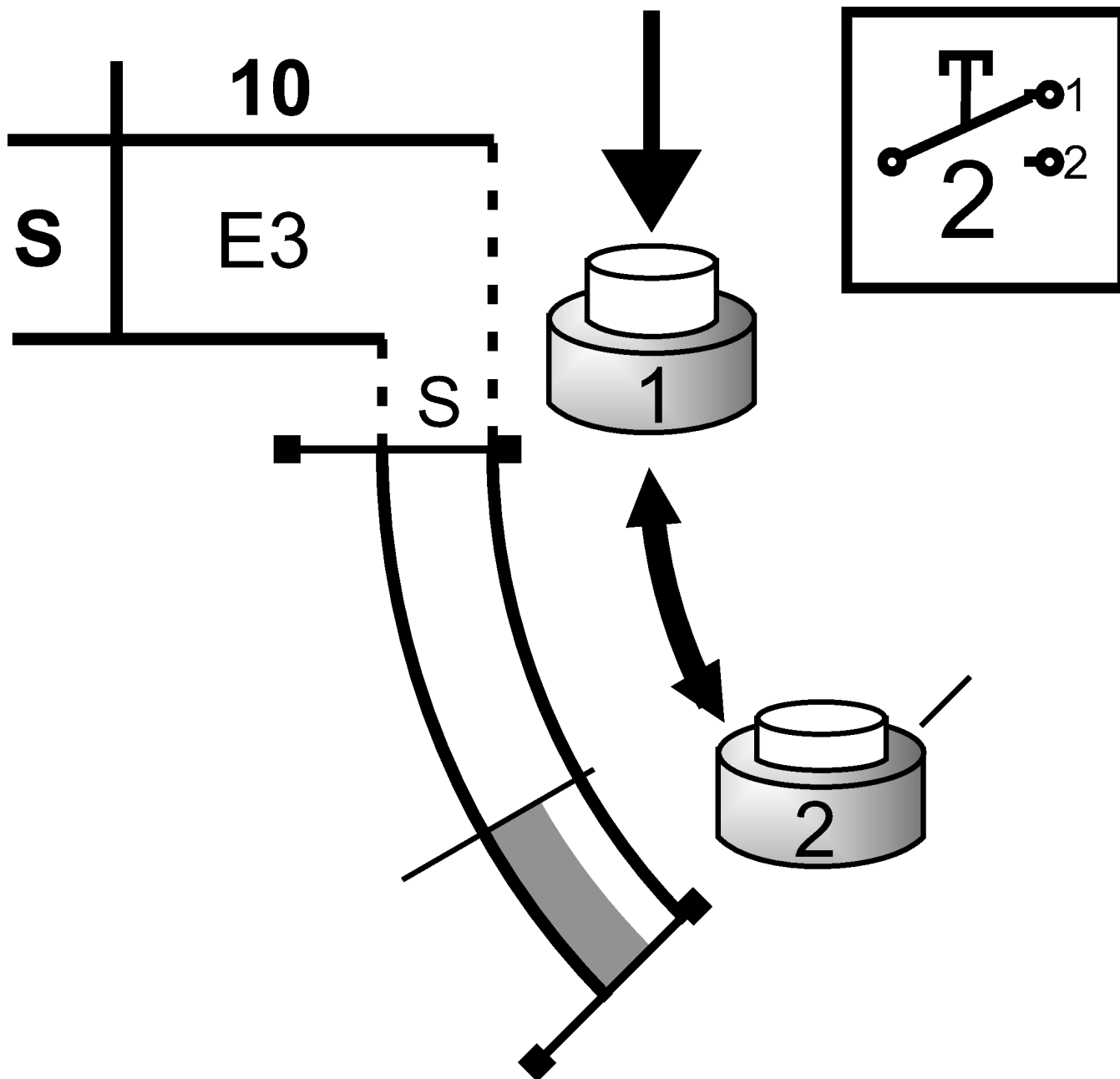
Dimensional drawings



Connection examples



Shift travel diagrams



square_grey_dark.eps closed, enabling
square_grey_light.eps closed
square_white.eps open