

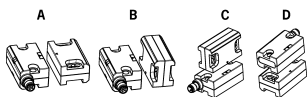
## CES-I-AP-M-C04-U10-117329 (Order no. 117329)

### Safety switch CES-I-AP-.-C04-..., RFID, connection cable, connecting cable PUR

- ▶ Multicode
- ▶ Monitoring output door position OD
- ▶ PUR connection cable, connecting cable, 10 m, flying lead
- ▶ Suitable for low ambient temperatures



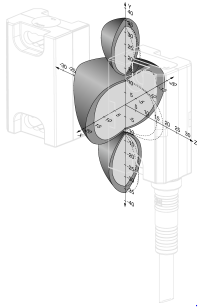
### Approach direction and installation position



Permissible installation position

### Typical operating distance

(Only in conjunction with actuator CES-A-BBN-C04)



[For a side approach direction for the actuator and safety switch, a minimum distance of  \$s = 6 \text{ mm}\$  must be maintained so that the actuating range of the side lobes is not entered.](#)

#### Attention:

The actuating range may vary depending on the actuator, substrate material and installation situation. Further actuating ranges can be found in the operating instructions.

### Multicode evaluation

The system checks whether the actuator type is one that can be recognized by the system (multicode evaluation). The system has a low coding level. Every suitable actuator is recognized by the switch.

### Safety characteristics

Thanks to two redundant safety outputs (semiconductor outputs) with internal monitoring, the device is suitable for:

- ▶ Category 4 /PL e according to EN 13849-1
- ▶ SIL 3 according to EN IEC 62061 Table 4

The OSSD outputs used check their function for short circuits and short circuits with test pulses.

### LED indicator

STATE Status LED

DIA Diagnostics LED

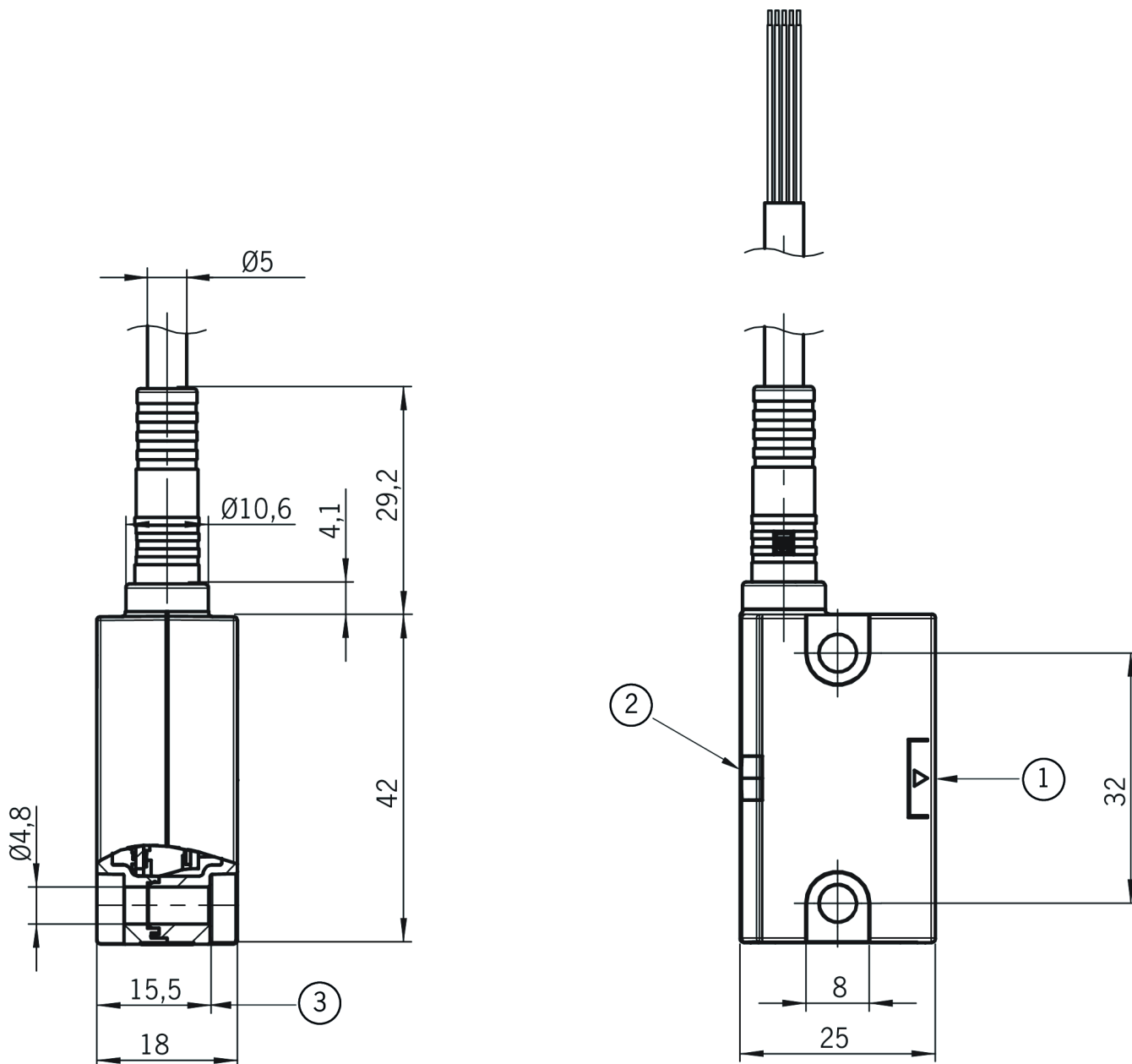
**Terminal assignment**

Designation	Function	Connecting cable conductor coloring
UB	Electronics operating voltage, 24 V DC	BN
F01A	Safety output, channel A	WH
0 V	Weight 0 V DC	BU
F01B	Safety output, channel B	BK
OD	Monitoring output	GY

**Accessories required**

Actuator is not included.

## Dimensional drawings



- 1 Active face
- 2 LED status indication
- 3 With rubber support