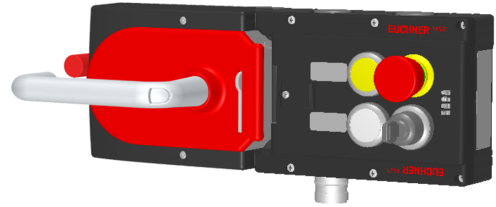


## MGB-L2HE-APA-L-110522 (Order no. 110522)

**Locking set MGB-L2HE-APA... (guard locking by solenoid force) with 2 pushbuttons, emergency stop, key-operated rotary switch, incl. label carrier, RC18, IP42**

- ▶ Guard locking with guard lock monitoring
- ▶ Emergency stop according to ISO 13850
- ▶ 2 pushbuttons (illuminated, wh, ye)
- ▶ With key-operated rotary switch (form L, 90°)
- ▶ incl. adhesive labels
- ▶ With plug connector RC18
- ▶ With escape release
- ▶ Unicode
- ▶ Degree of protection IP42



### Guard locking type

MGB- The locking arm is held in the locked position by solenoid force and is unlocked by spring force  
 L2... when the solenoid is switched off (open-circuit current principle, electrically locked).

### Door hinge

A mechanical door stop is permanently integrated into the evaluation module of the MGB. A marking on the stop makes adjustment easier.

### LED indicator

The LED indicator indicates all important system and status information.

### Monitoring outputs

- OT Bolt tongue inserted into the evaluation module
- OI Diagnostics; there is a fault

### Emergency stop device

S1 2 positively driven contacts, emergency stop with turn-to-reset, not illuminated

### Pushbuttons

- S2 1 NO contact, white, illuminated
- S3 1 NO contact, yellow, illuminated

### Key-operated rotary switch

S4 Key-operated rotary switch with 2 positions (form L, 90°). The switch latches in both positions, but it can be removed only in position 0.

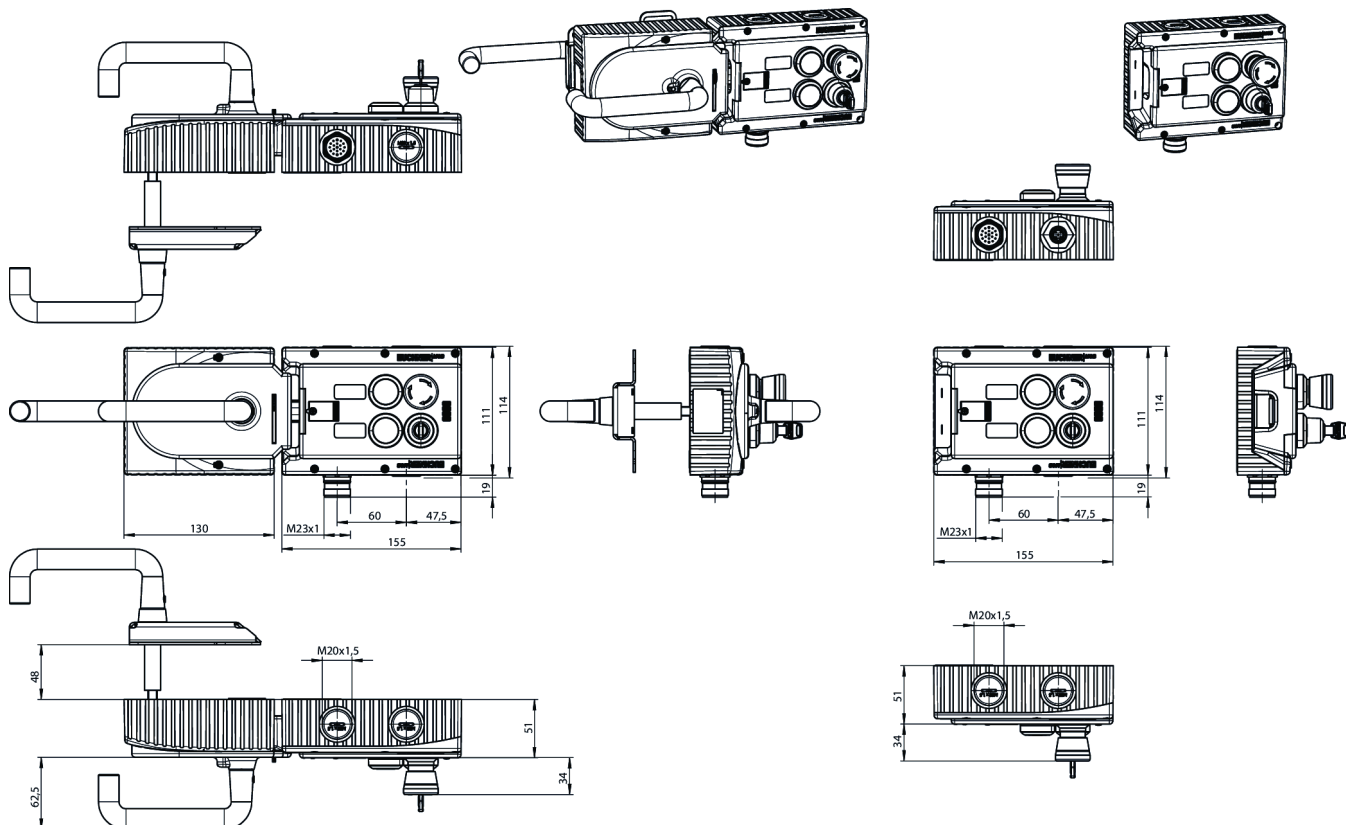
## Adhesive labels

Devices with adhesive labels have pre-formed recesses. The adhesive labels enclosed (standard size 12.5 x 27 mm) can be affixed in these recesses.

## Escape release

The escape release enables people accidentally shut in to open the guard locked door from the danger zone.

## Dimensional drawings



Dimensional drawings

