

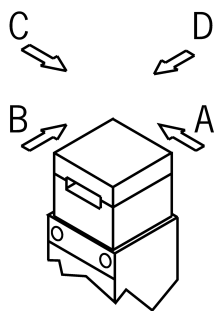
## TZ1RE024SR11-094343 (Order no. 094343)

### Safety switch TZ, plug connector M26 (SR11), emergency release with rotary knob

- ▶ Plug connector M26 (SR11)
- ▶ Emergency release with rotary knob
- ▶ LED indicator
- ▶ Protective plate for switch head
- ▶ Actuating head fitted right
- ▶ Closed-circuit current principle



#### Approach direction



Horizontal

Can be adjusted in 90° steps

#### Protective plate for switch head

Makes tampering with the switch more difficult.

#### Guard locking principle

Power to unlock: On a guard with guard locking based on the closed-circuit current principle, the guard is locked by spring force until the guard locking solenoid is supplied with power. Unlocking is by solenoid force. The term mechanical guard locking is also used.

#### LED indicator

The switch has two freely assignable LED indicators (red and green).

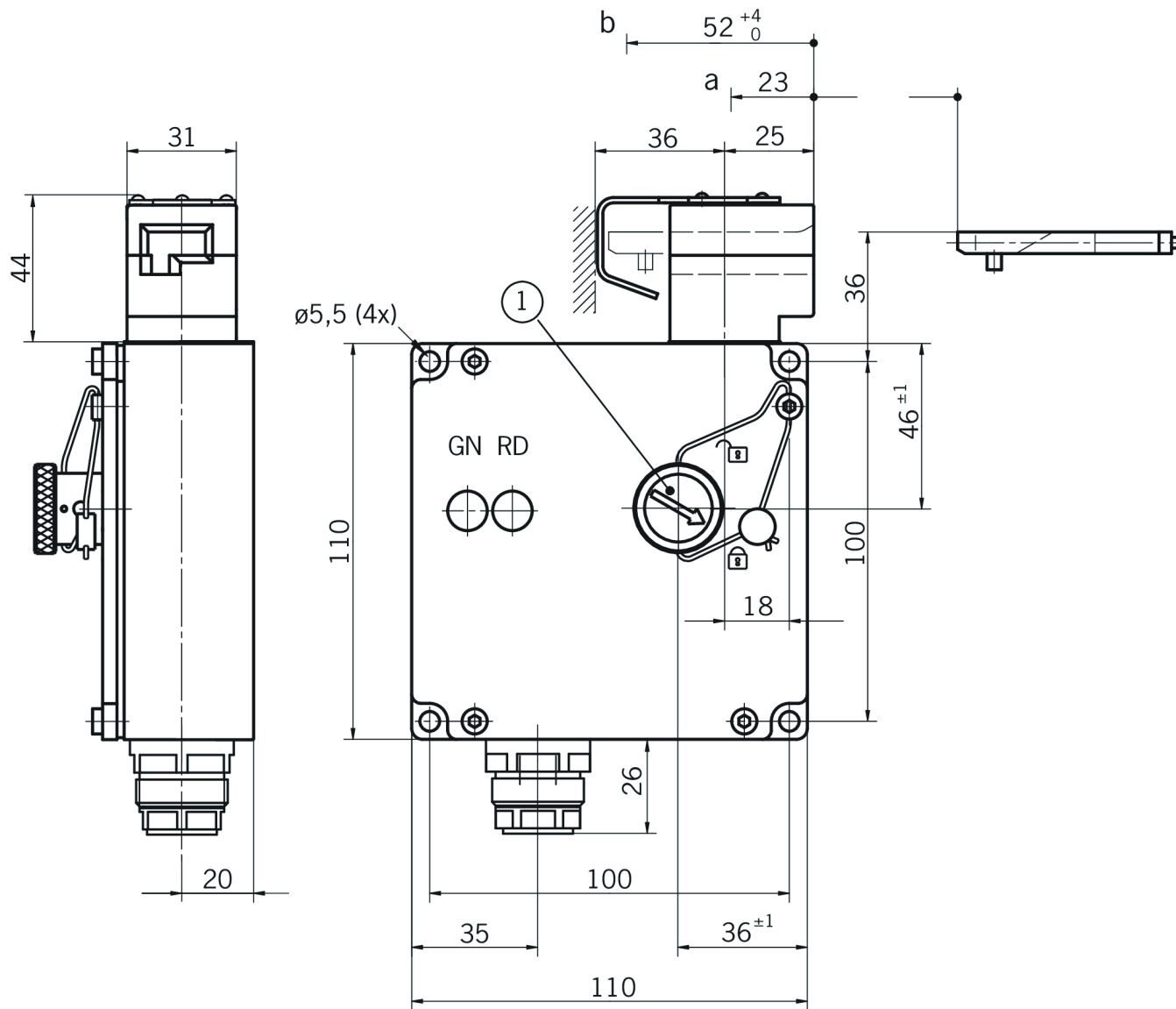
#### Switching element

SK 528 Slow-action switching contact

Contacts for door monitoring: 1 positively driven contact  $\text{Ⓢ}+$  + 1 NO contact



## Dimensional drawings



1 Emergency unlocking (rotary knob)