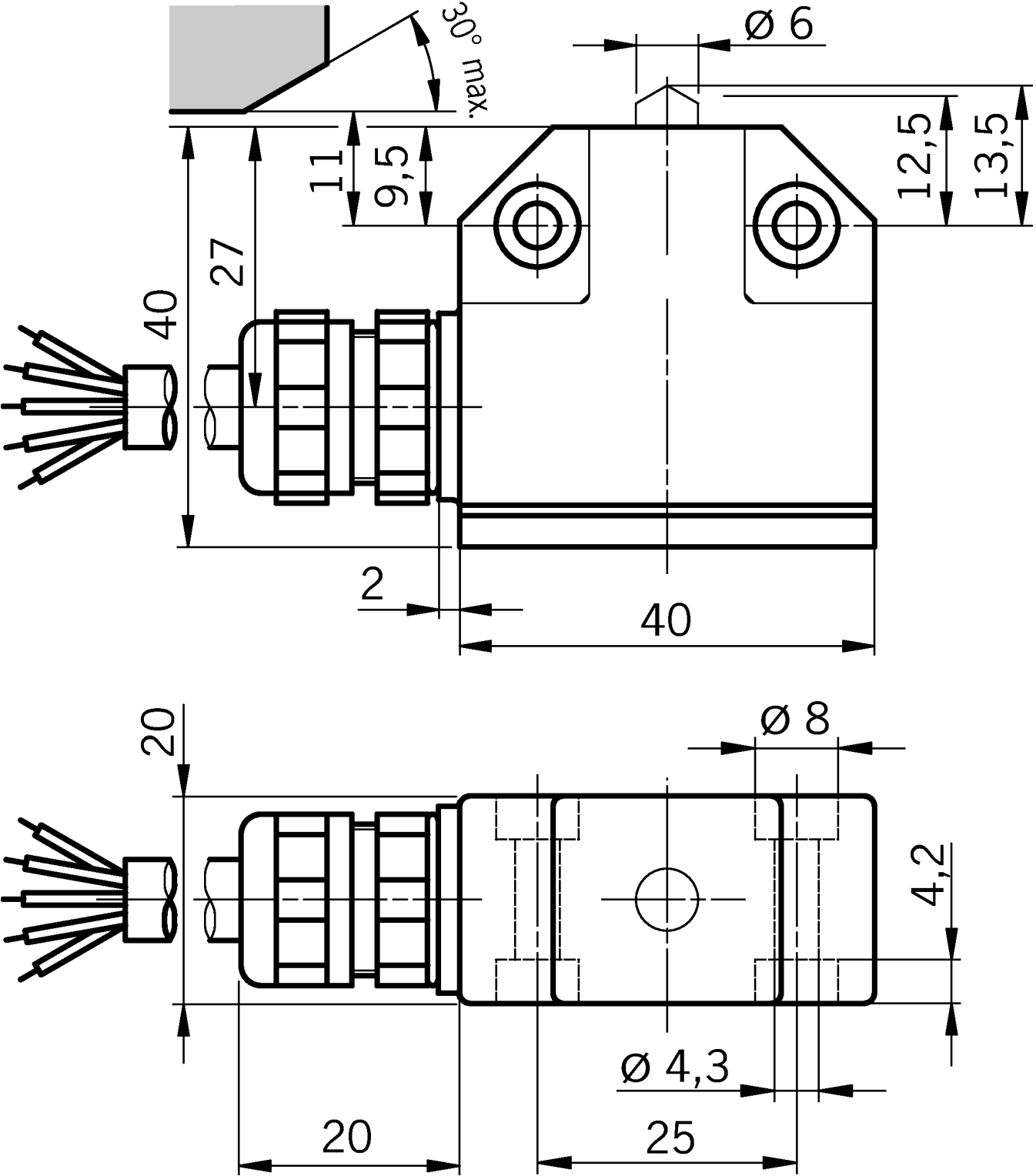




Dimensional drawings



Connection examples

