

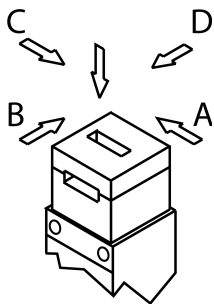
TX1B-A024SEM4AS1 (Order no. 094403)

Safety switch TX ASi, plug connector M12

- ▶ Plug connector M12, 4-pin
- ▶ Auxiliary release
- ▶ LED indicator
- ▶ Closed-circuit current principle



Approach direction



Horizontal and vertical
Can be adjusted in 90° steps

Guard locking principle

Power to unlock: On a guard with guard locking based on the closed-circuit current principle, the guard is locked by spring force until the guard locking solenoid is supplied with power. Unlocking is by solenoid force. The term mechanical guard locking is also used.

Control of the guard locking solenoid

The guard locking solenoid is controlled via AS-Interface bit D0. In order to achieve safe control of the guard locking, the auxiliary voltage must also be switched safely.

Auxiliary voltage

The ASi auxiliary voltage is required to supply the guard locking solenoid.

AS-Interface inputs

D0, D1 Monitoring of the guard position

D2, D3 Guard lock monitoring

AS-Interface outputs

D0 Control of guard locking

D1 LED red

D2 LED green

LED indicator

The Power LED indicates the operating voltage on the bus.

The Fault LED indicates if a fault has been detected on the AS-Interface bus.

The green and the red LEDs can be controlled as required by the control system via the bus using bits D1 and D2.

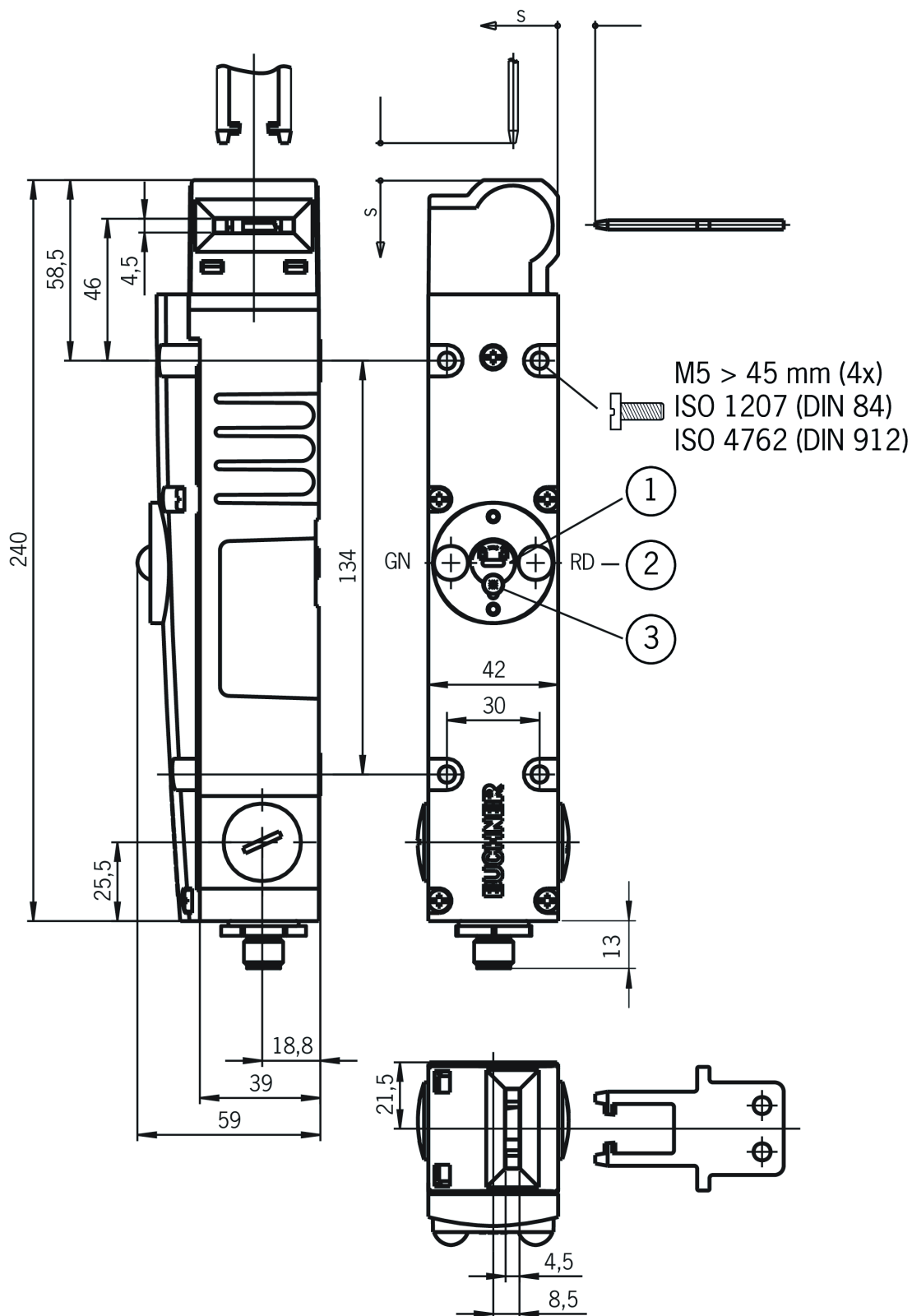
Auxiliary release

The auxiliary release on the front makes it possible to access the machine if there is a malfunction, e.g. a power failure. Unlocking is performed using a tool or a key. The auxiliary release must be protected against misuse (sealing, lacquer).

Accessories required

Actuator is not included.

Dimensional drawings



- 1 Auxiliary release
- 2 LED indicator
- 3 Locking screw