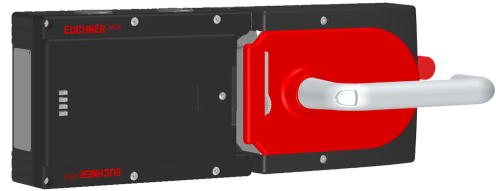


MGB-L0HE-ARA-R-105780 (Order no. 105780)

Interlocking set MGB-L0HE-ARA..., without controls or indicators

- ▶ Interlocking (without guard locking)
- ▶ Can be connected in series with other AR devices (e.g. CES-AR and CET-AR)
- ▶ With cable entry
- ▶ With escape release
- ▶ Unicode



Guard locking type

MGB-L0... The bolt tongue in the handle module is moved into and out of the interlocking module by actuating the door handle. The door arm is not locked in the locked position.

Door hinge

A mechanical door stop is permanently integrated into the evaluation module of the MGB. A marking on the stop makes adjustment easier.

LED indicator

The LED indicator indicates all important system and status information.

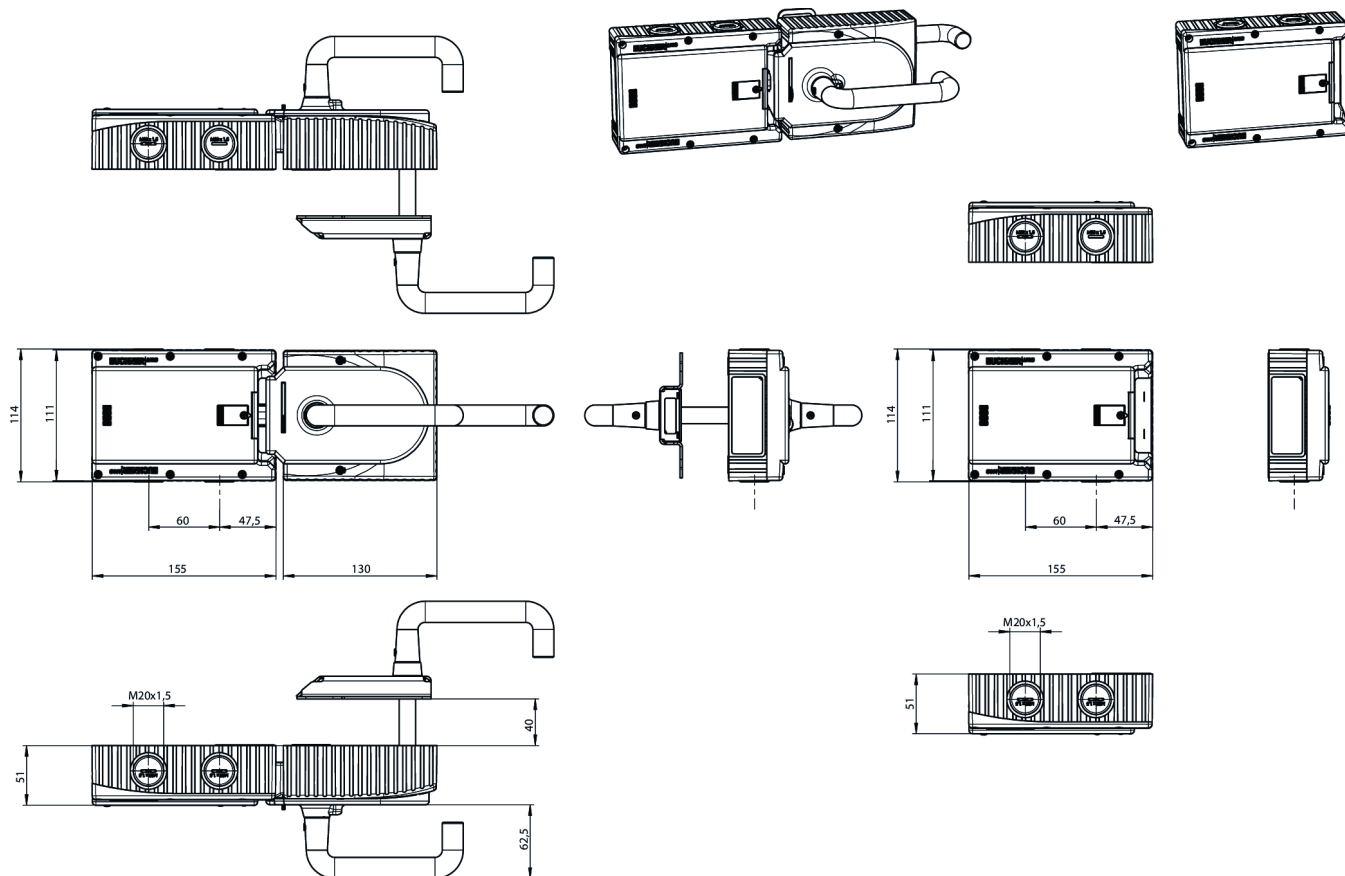
Monitoring outputs

- OD ON when the door is closed
- OT Bolt tongue inserted into the evaluation module
- OI Diagnostics; there is a fault

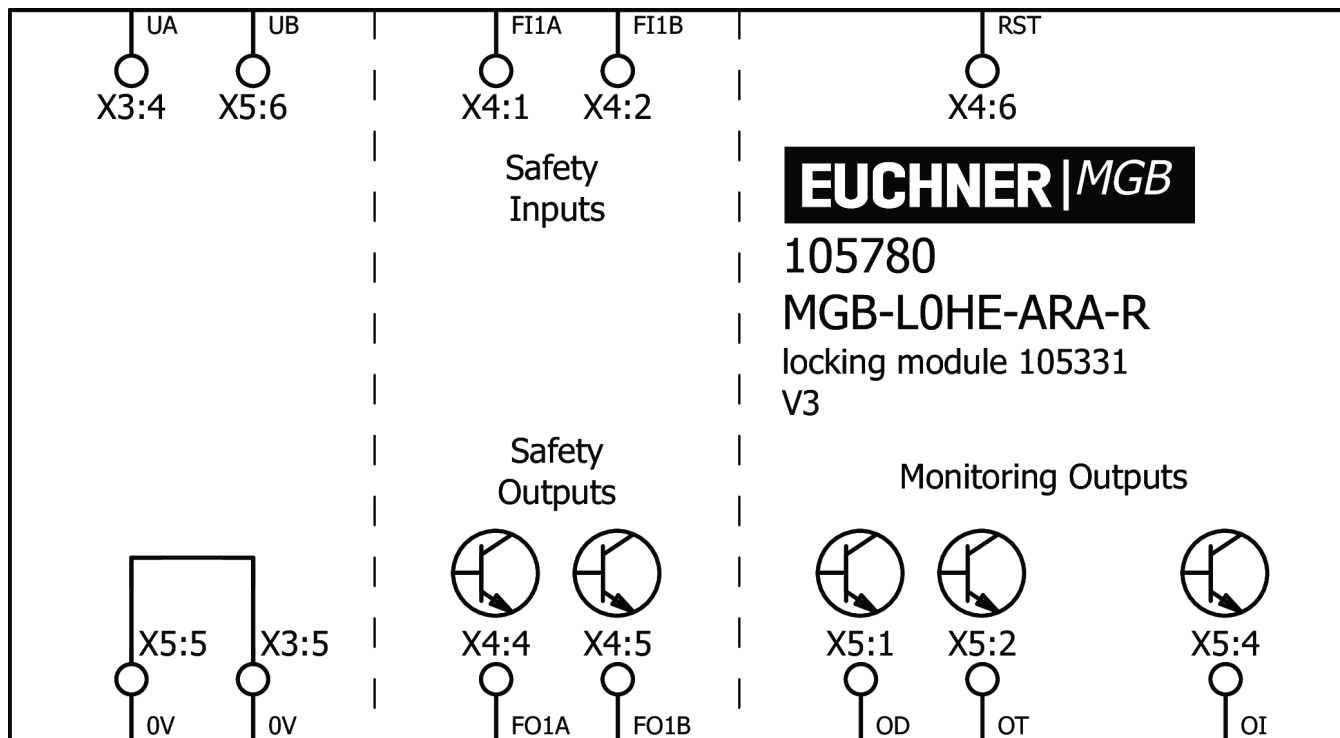
Escape release

The escape release enables people accidentally shut in to open the guard locked door from the danger zone.

Dimensional drawings



Connection examples



Components



100464

MGB-H-AA1A1-R-100464

Handle module MGB-H-...

- ▶ Intelligent bolt tongue
- ▶ Lockout mechanism
- ▶ Door handle



100465

MGB-E-A-100465

Escape release MGB-E-A...

- ▶ Escape release from the danger zone
- ▶ Signal red door handle
- ▶ Designed for door profiles up to 40 mm
- ▶ Extended actuation axis for thicker doors (available optionally)



105331

MGB-L0-ARA-AA1A1-M-105331

Interlocking module MGB-L0-ARA..., without control or indicator

- ▶ Interlocking (without guard locking)
- ▶ Can be connected in series with other AR devices (e.g. CES-AR and CET-AR)
- ▶ With cable entry
- ▶ Unicode