

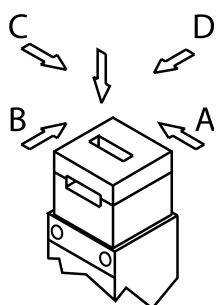
## NP2-638AB (Order no. 059450)

### Safety switch NP, mounting with 40 mm spacing, plug connector SR6

- ▶ Mounting with 40 mm spacing
- ▶ SR6 plug connector; 6-pin + PE
- ▶ 2 pos. driven contact



#### Approach direction



Horizontal and vertical  
Can be adjusted in 90° steps

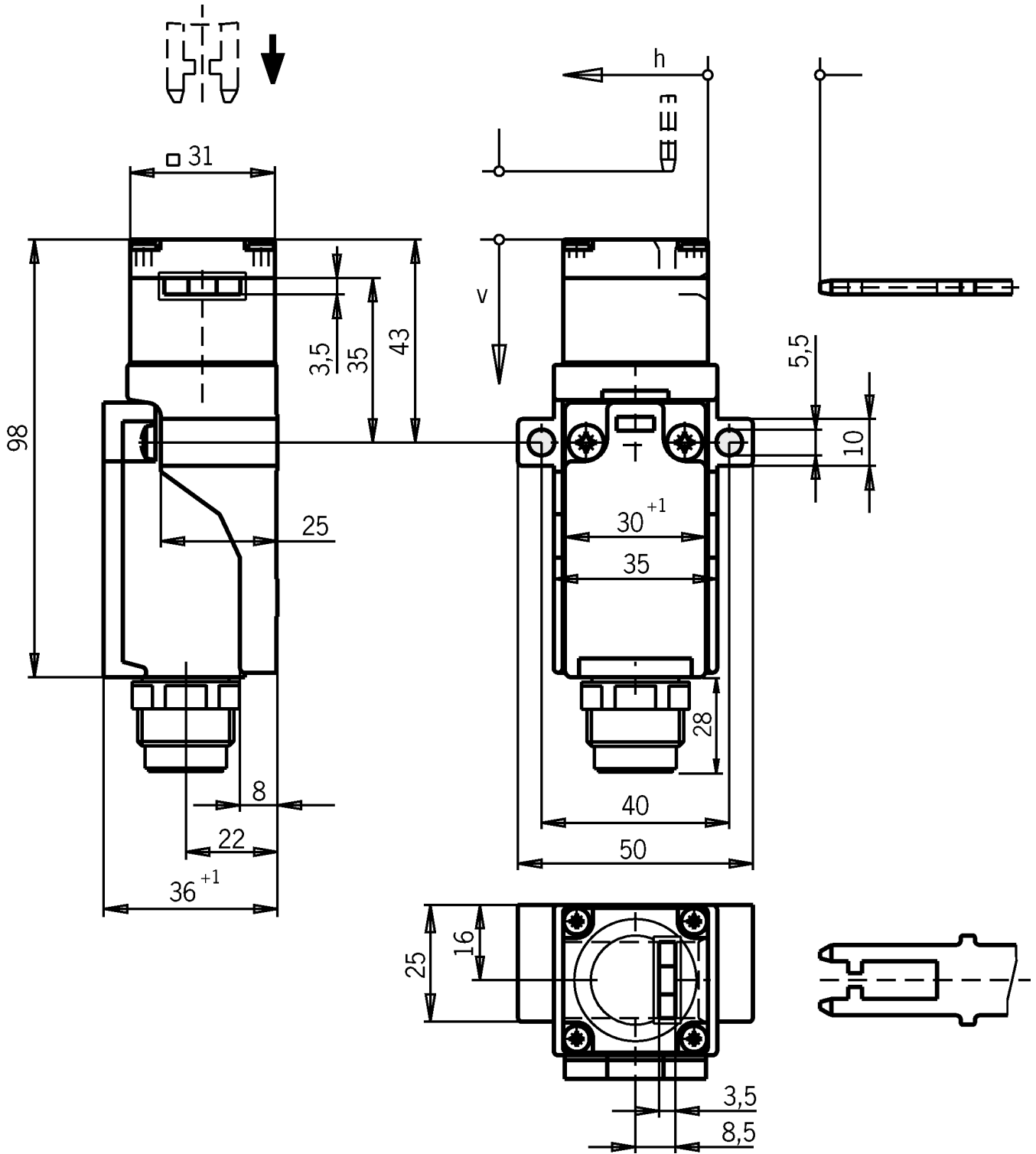
#### Switching element

638 Slow-action switching contact 2 positively driven contacts (→)

#### Accessories required

Actuator is not included.

## Dimensional drawings



## Connection examples

