

## NZ2HS-528L060 (Order no. 088196)

### Safety switch NZ.HS, lever arm with steel roller, plug connector SR6

- ▶ Lever arm, steel roller  $\varnothing$  18 mm
- ▶ Version A according to EN 50041
- ▶ SR6 plug connector; 6-pin + PE
- ▶ 1 pos. driven contact
- ▶ 1 NO contacts
- ▶ LED indicator: AC/DC 12-60 V red



### Approach direction



Horizontal

Can be adjusted in 90° steps

### Switching direction adjustable

Right, left or both sides

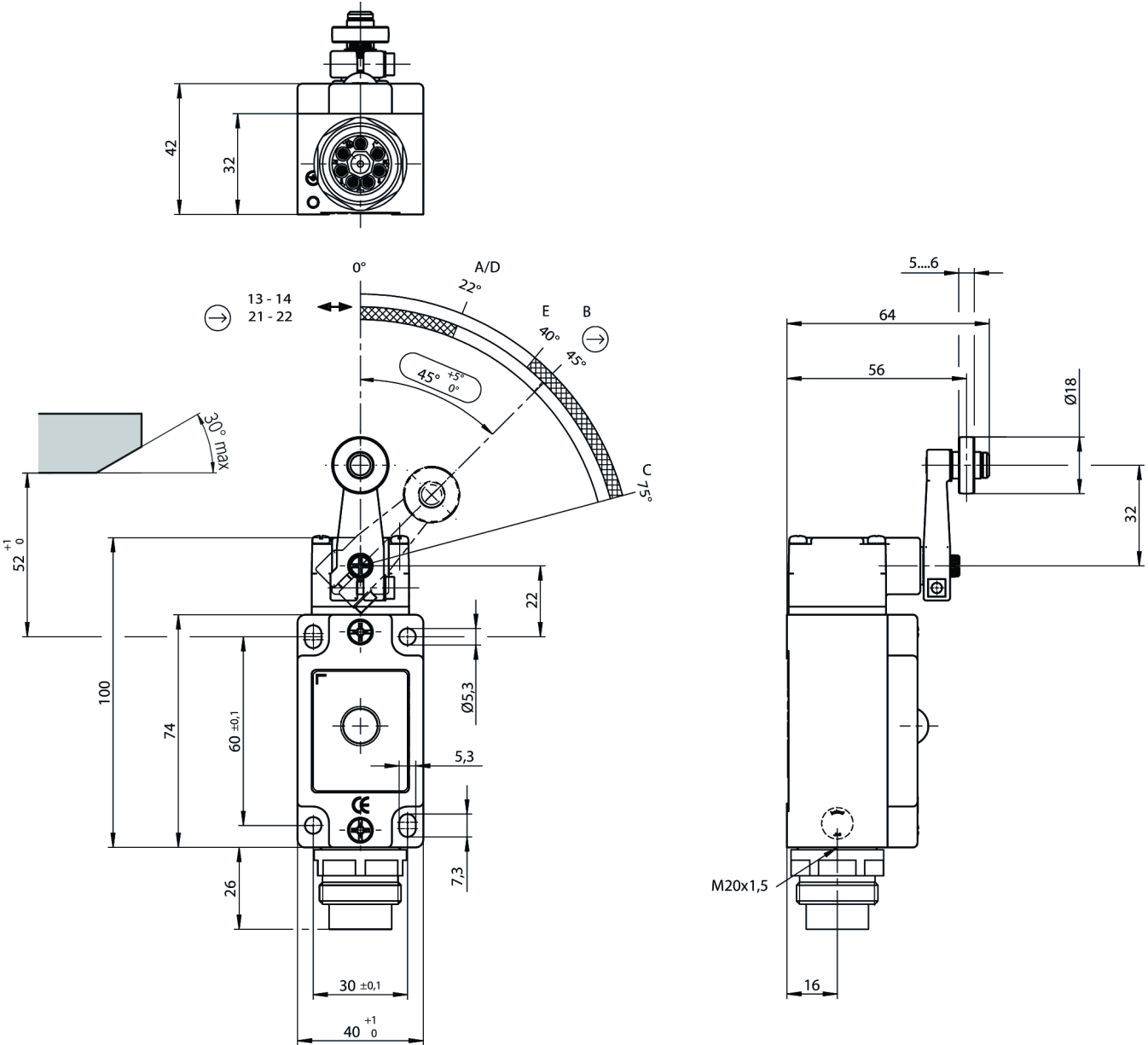
### LED indicator

The switch has one freely assignable LED indicator.

### Switching element

528H Slow-action switching contact 1 positively driven contact  $\ominus \rightarrow$  + 1 NO contact

**Dimensional drawings**



- A=Operating point
- B=Positively driven travel
- C=End position
- D=Reset point
- E=Operating point (NO contact)

Connection examples

