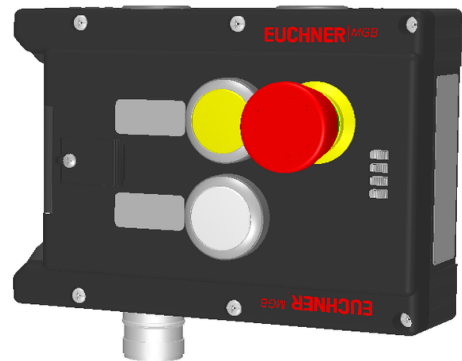


## MGB-L1-ARA-AA2A1-S1-L-110793 (Order no. 110793)

### Locking module MGB-L1-ARA... (guard locking by spring force) with 2 pushbuttons, emergency stop, incl. label carrier, RC18

- ▶ Guard locking and guard lock monitoring
- ▶ Can be connected in series with other AR devices (e.g. CES-AR and CET-AR)
- ▶ Emergency stop according to ISO 13850
- ▶ 2 pushbuttons (illuminated, ye, wh)
- ▶ incl. adhesive labels
- ▶ With plug connector RC18
- ▶ Unicode



### Guard locking type

MGB- The locking arm is held in the locked position by spring force and is unlocked by solenoid force  
L1... (closed-circuit current principle, mechanically locked).

### Door hinge

A mechanical door stop is permanently integrated into the evaluation module of the MGB. A marking on the stop makes adjustment easier.

### LED indicator

The LED indicator indicates all important system and status information.

### Monitoring outputs

OT Bolt tongue inserted into the evaluation module

OI Diagnostics; there is a fault

### Emergency stop device

S1 2 positively driven contacts, emergency stop with turn-to-reset, not illuminated

### Pushbuttons

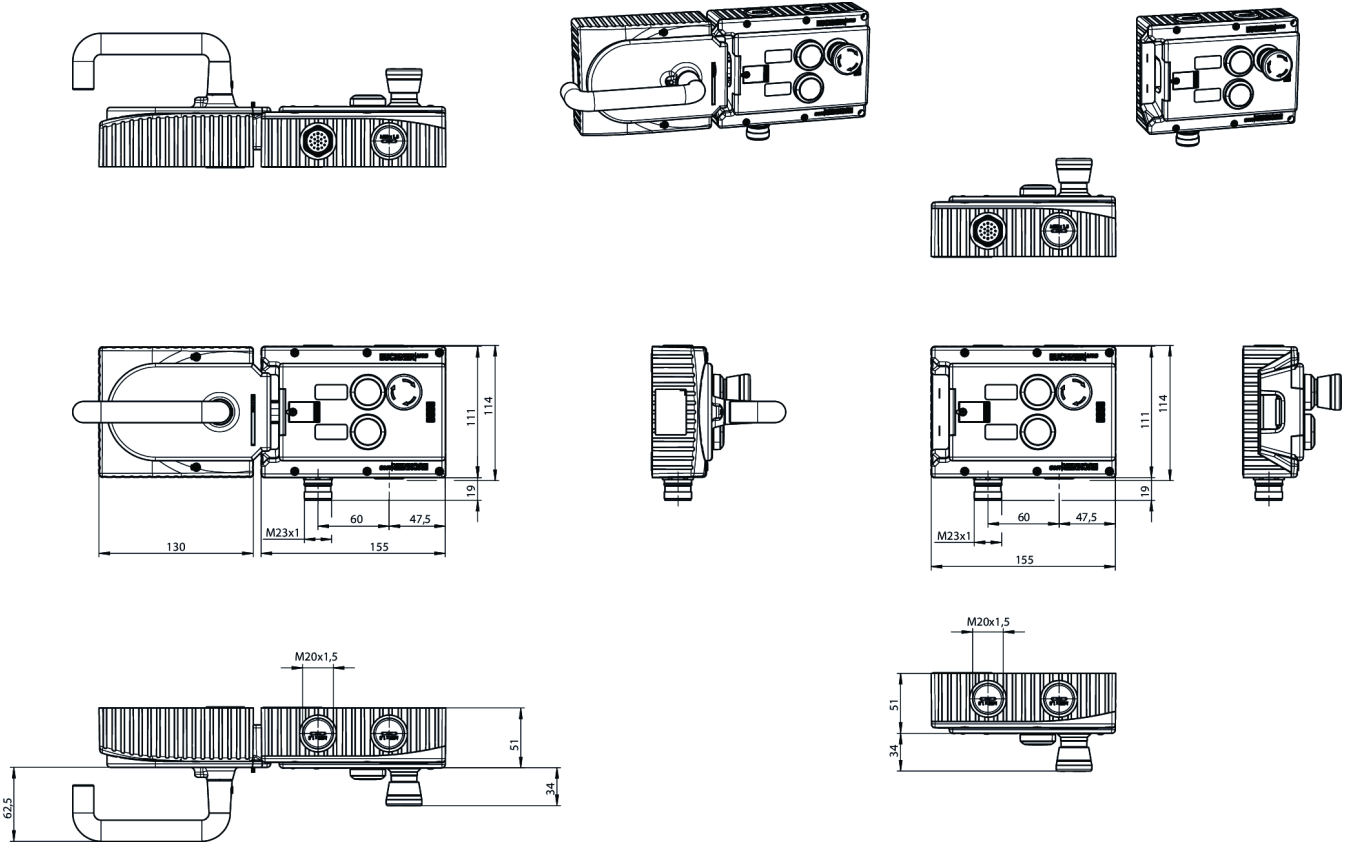
S2 1 NO contact, yellow, illuminated

S3 1 NO contact, white, illuminated

### Adhesive labels

Devices with adhesive labels have pre-formed recesses. The adhesive labels enclosed (standard size 12.5 x 27 mm) can be affixed in these recesses.

**Dimensional drawings**



Dimensional drawings

