

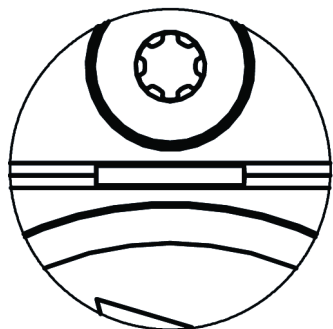
MSM-1-P-CS-BLH-G7-165078 (Order no. 165078)

Submodule MSM-1-P... (illuminated emergency stop with protective collar, signal indicator, key-operated rotary switch)

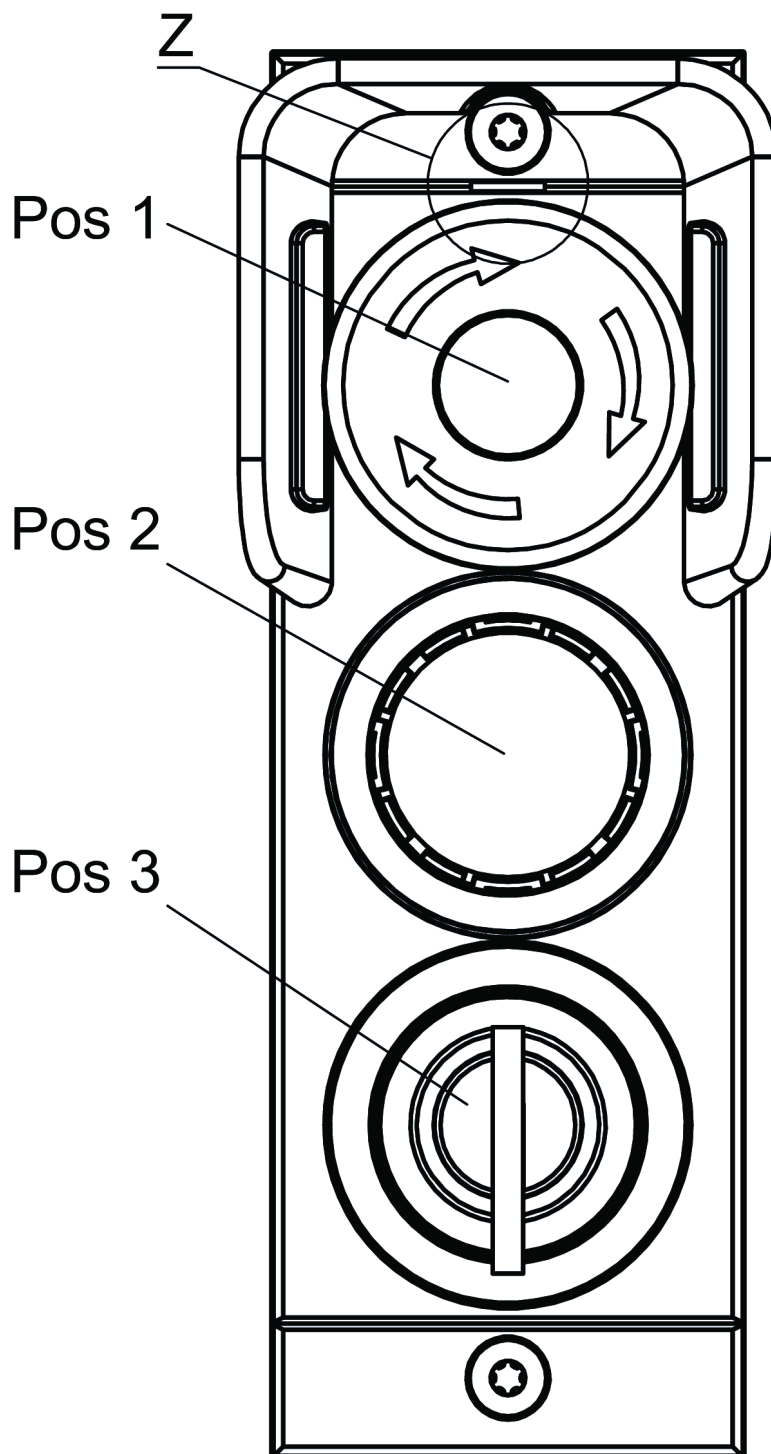
- ▶ Function expansion for modules MGB2 and MCM
- ▶ Connection type: P
- ▶ 1 illuminated emergency stop with protective collar according to ISO 13850
- ▶ Signal indicator
- ▶ 1 key-operated rotary switch 1 x 40°, form V
- ▶ incl. lens set



Dimensional drawings



Z 2 : 1



Pos 1 Emergency stop according to ISO 13850

Pos 2 Signal indicator

Pos 3 Key-operated rotary switch 1 x 40°, form V

Z marks orientation of item 1

