

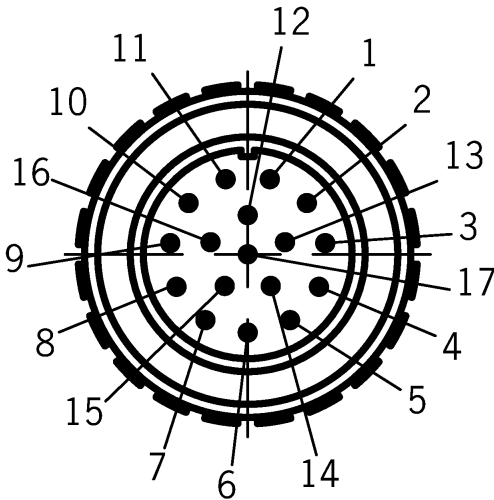
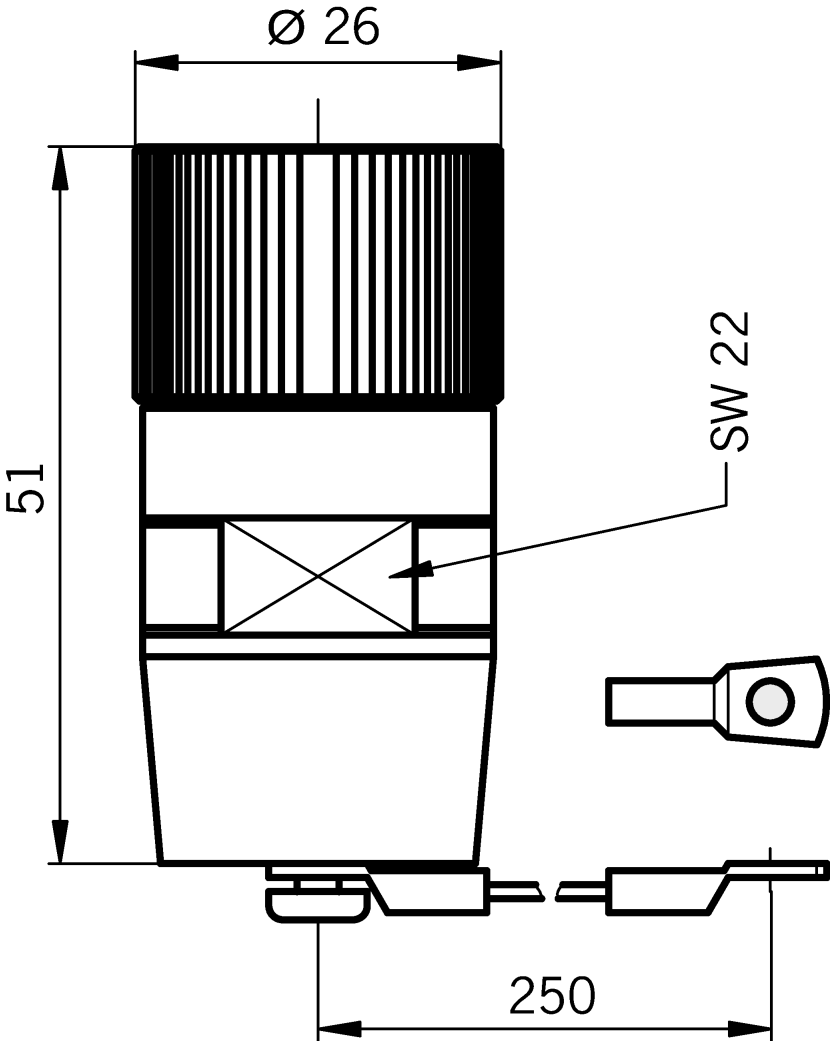
BLINDSTECKER 17-POL RC-17P1N8A83NN (Order no. 096159)

Blanking plug RC17 for covering the flange connector RC17

**Blanking plug RC17**

For covering the flange connector RC17. Optionally, the customer can fit bridges to the individual contacts.

Dimensional drawings



Technical data

Electrical connection values

Connection cross section	0.14 ... 0.56 mm ²
Rated voltage	150 V
Rated current I	8000 mA (per contact at 25 °C)
Screen connection	via housing connection

Mechanical values and environment

Connection type	enclosed	Crimp contacts
Connection type		Male plug
Plug connector designation		RC17
Storage temperature		-25 ... 125 °C
Cable outlet		not available
Cable diameter		not available
Number of pins		17
Degree of protection		IP67
Plug lock		M23x1 Screw connection
Ambient temperature		-20 ... 125 °C
Material	Plug lock	Metal