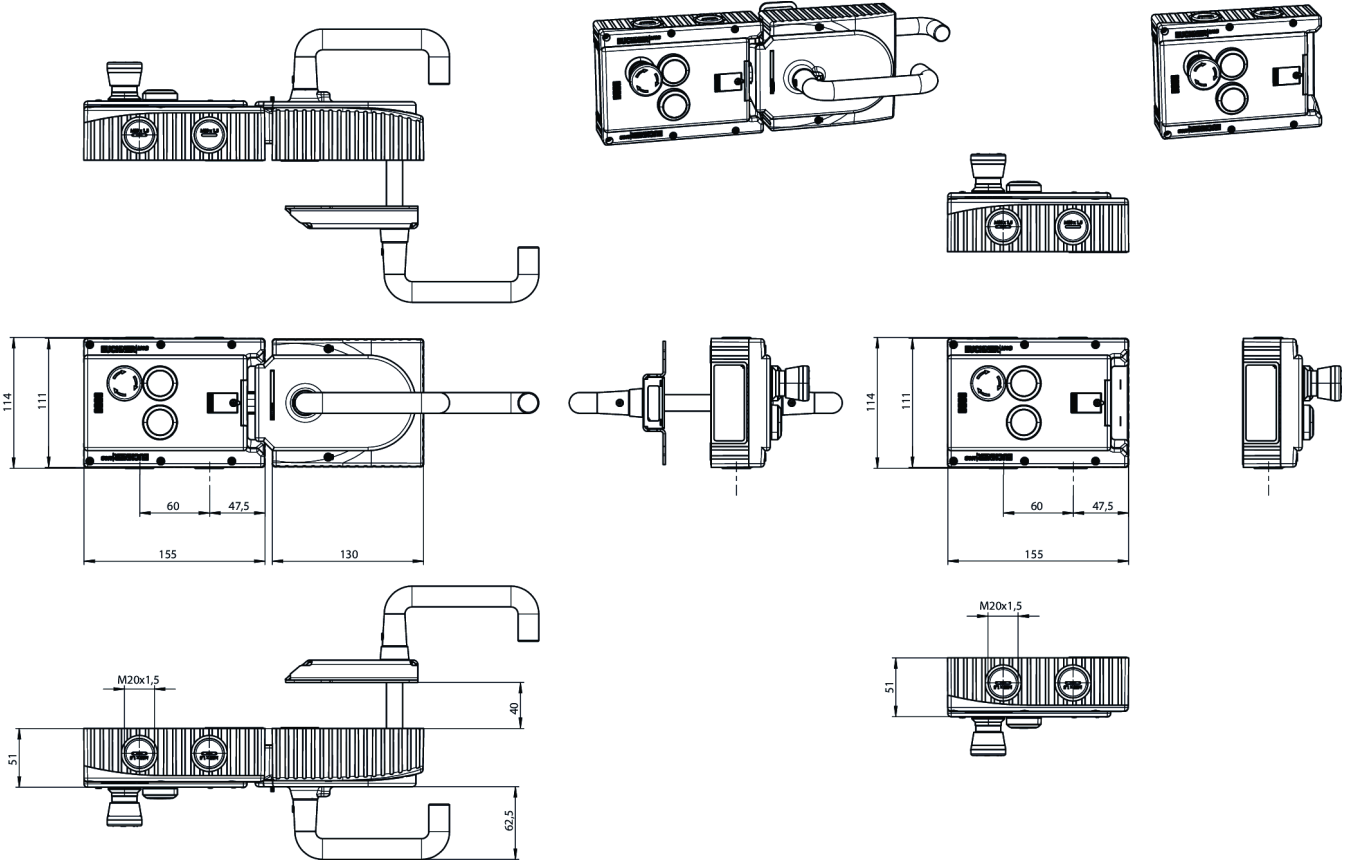


MGB-L1-ARA-AG2A1-M-111360 (Order no. 111360)

Dimensional drawings



Technical data

Approvals



Operating and display elements

Occupancy diagram L1

Item	Color	Extras	Note slide-in label	Version	Switching element	Slide-in label	Number	Designation1	LED
1		with monitoring contact		Emergency stop	2 PD + 1 NO				
2	white	printed		Illuminated pushbutton	1NO				
3	white	printed		Illuminated pushbutton	1NO				

Electrical connection values

Connection cross section	
(rigid/flexible) with cable end sleeve with collar according to DIN 46 228/1	0.25 ... 0.75 mm ²
(rigid/flexible) with cable end sleeve according to DIN 46 228/1	0.25 ... 1.5 mm ²
(rigid/flexible)	0.13 ... 1.5 mm ² ((AWG 24 ... AWG 16))
Rated insulation voltage U _i	30 V
Rated impulse voltage U _{imp}	1.5 kV
Discrepancy time	
between FO1A and FO1B	max. 10 ms
Utilization category	
DC-13	24V 200mA (Caution: outputs must be protected with a free-wheeling diode in case of inductive loads.)

Risk time according to EN 60947-5-3	max. 350 ms				
Risk time according to EN 60947-5-3, extension for each additional device	max. 5 ms				
Safety class	III				
Transponder coding	Unicode				
Degree of contamination (external, according to EN 60947-1)	3				
Solenoid control input IMP1, IMP2, IMM					
Test pulse duration	max. 5 ms				
Test pulse interval	min. 100 ms				
Controls and indicators					
Breaking capacity	max. 0.25 W				
Switching voltage	U_A V				
Switching current	1 ... 10 mA				
LED power supply	24 V DC				
Emergency stop					
Breaking capacity	max. 0.25 W				
Switching voltage	5 ... 24 V				
Switching current	1 ... 100 mA				
LED power supply	24 V DC				
Monitoring outputs OD, OT, OL, OI					
Output type	Semiconductor outputs, p-switching, short circuit-proof				
Output voltage	$U_A - 2V \dots U_A$ V DC (Value at a switching current of 50mA without taking into account the cable lengths)				
Output current	max. 50 mA				
Safety outputs F01A, F01B					
Output type	Semiconductor outputs, p-switching, short circuit-proof				
Output voltage	<table border="0" style="width: 100%;"> <tr> <td style="text-align: center;">U_{F01A} / U_{F01B} LOW</td> <td>0 ... 1 V DC</td> </tr> <tr> <td style="text-align: center;">U_{F01A} / U_{F01B} HIGH</td> <td>$U_B - 2V \dots U_B$ V DC</td> </tr> </table> (Value at a switching current of 50mA without taking into account the cable lengths)	U_{F01A} / U_{F01B} LOW	0 ... 1 V DC	U_{F01A} / U_{F01B} HIGH	$U_B - 2V \dots U_B$ V DC
U_{F01A} / U_{F01B} LOW	0 ... 1 V DC				
U_{F01A} / U_{F01B} HIGH	$U_B - 2V \dots U_B$ V DC				