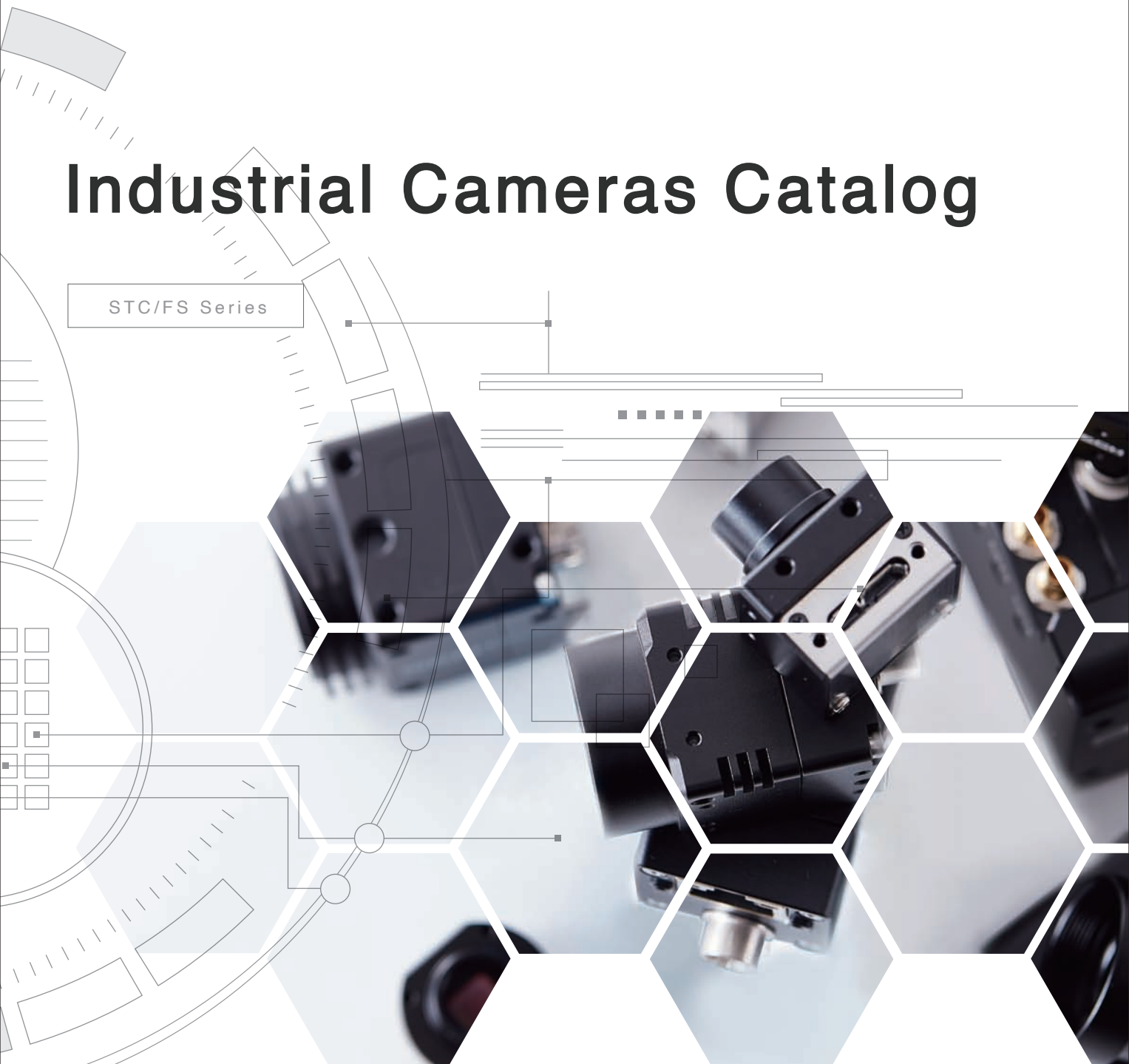


Industrial Cameras Catalog

STC/FS Series



Make It Faster, Make It Simpler

OMRON has been developing high speed & high performance image processing systems in order to meet the needs of the automation world pursues. And now, image processing began to spread all over the world and the evolution speed of people want is getting higher. For our customers' satisfaction, we start to deliver OMRON SENTECH (former SENTECH)'s cameras. OMRON SENTECH is a manufacturer specializing in industrial cameras that became a new member of the OMRON group. Those cameras make the conventional systems simpler, faster and more flexible. Also they make it easy to assist the visual inspection to capture enlarged images without pc.

OMRON **SENTECH**



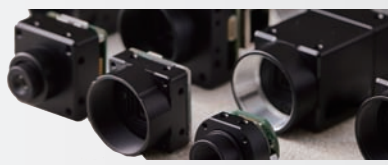
Notes for Purchase

- Please contact the trading company for delivery date.
- All cameras in this catalog can not be connected to the image processing system such as FH / FZ / FJ series.

Dimensions

- This catalog contains the dimensions (unit : mm) of a typical model. Please confirm the CAD data for the dimensions of models not mentioned.

How to Choose a camera Camera Line-up Chart



Per-interface comparison table Pages 5 - 6
Camera Line-up Chart

How to
Choose
a camera

GigE Vision



CMOS M Series Pages 7 - 8

Small CMOS Board Camera Pages 9 - 12

Line Scanning Camera Pages 13 - 14

GigE

USB3.0



USB3.0 Pages 15 - 18

USB3.0 Board Camera Pages 19 - 20

Camera with Liquid Lens Pages 21 - 22

USB3.0 Remote Head Pages 23 - 24

USB3.0

CoaXPress



CoaXPress Pages 25 - 30

CoaXPress

Opt-C:Link



Opt-C:Link Pages 31 - 32

Opt-C:Link

Camera Link



CMOS Pages 33 - 36

Remote Head Pages 37 - 38

Line Scanning Camera Pages 39 - 40

Camera Link

SWIR



SWIR Series Pages 41 - 46

SWIR

3CMOS



3CMOS Camera Pages 47 - 48

3CMOS

DVI/SDI



DVI Pages 49 - 50

HD-SDI Pages 51 - 52

HDMI/DVI/SDI

Color TV Format



S133N-B Series Pages 53 - 54

TV Format

Small Board Camera



S133N(P)/S133UVC/S133MIP/
S133SDI/P213UVC Series Pages 55 - 64

Small Board
Camera

Accessories



Cable, Others Pages 65 - 67

Fixed Focus Lens Pages 68

Factory Drive Recorder Pages 69 - 70

Accessories

Broad Product Selection

INDUSTRIAL CAMERAS LINEUP

Basic products alone boasts an extensive roster of 400 models with support for 11 analog and digital interfaces. The same type of sensors are available with different interfaces, allowing you to choose the right product for your purpose.

A wide range of products including case, remote head, and board cameras-all built on our unique machined aluminum casing platform that guarantees durability and reliability.



DVI/HD-SDI

TV Format

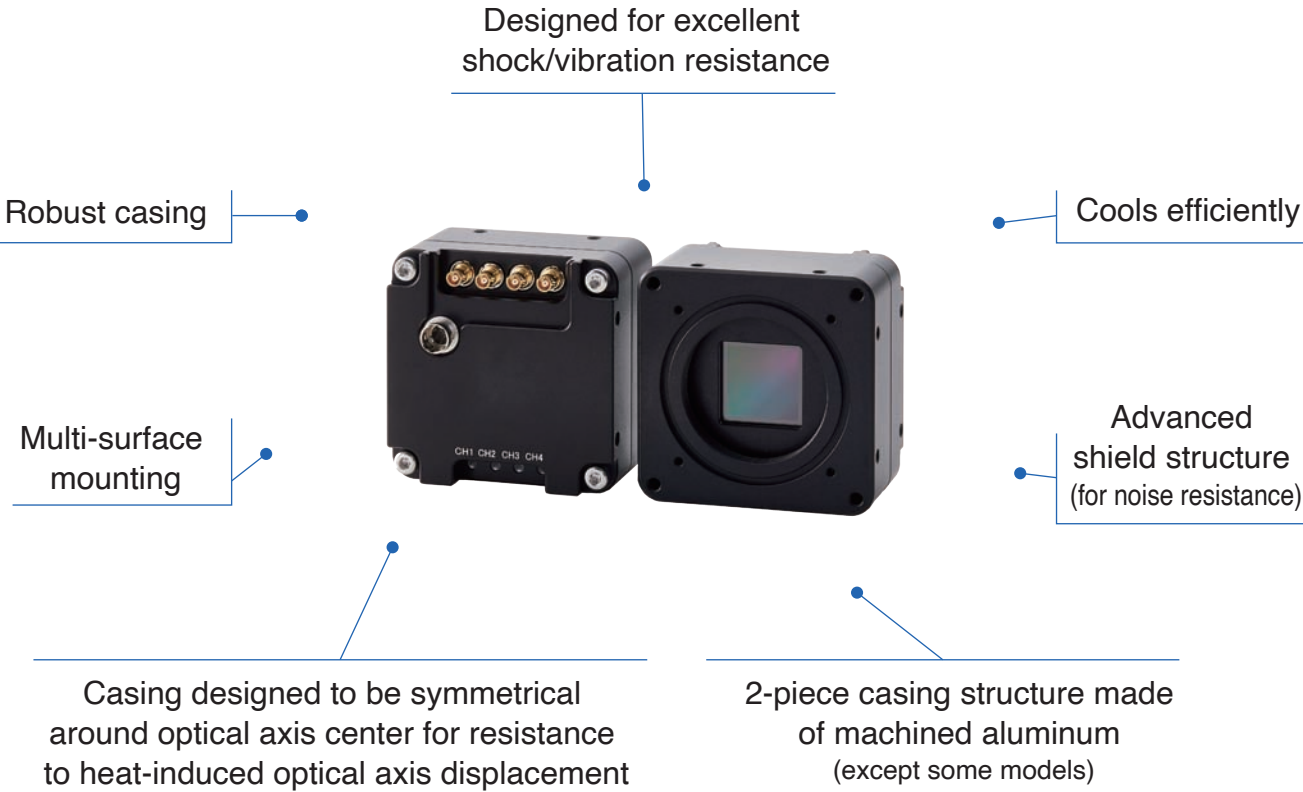
MIPI

UVC

Reliable Manufacturing SAFE MANUFACTURING

Our products are manufactured in dedicated lines in our partner plants in Japan.
The annual production volume is 150K units.

Our cameras can be reliably used on the ground in factory automation applications.



How to Choose a Camera

Camera Line-up Chart

How to Choose an Image Sensor

- Subject
 - Mono or Color?
- Number of Pixels
 - Optimal Resolution for Your Application
- Frame Rate
 - How many frames are required per second?
- Sensor Size?

How to Choose the Interface

- Connect to
 - Monitor or PC?
- Cable Length
 - Distance Between the Camera and the Equipment
- The Number of Cameras
 - How many cameras for one PC?




Based on factors such as decided specifications, system outline and cost image, refer to the following per-interface comparison table and product lineup chart to choose the optimum Sentech camera.



■ Interface when using a PC / ■ Interface when not using a PC

Interfaces	GigE Vision®			USB		CoaXpress	Opt-C:Link	Camera Link		HD-DVI	HD-SDI	TV Format
	1 GigE	5 GigE	10 GigE	USB3 Vision	UVC			Base	Full			
Monitor Display	PC Required											Can be connected directly to monitor
Connection Port	Gigabit Ethernet Port	Gigabit Ethernet Port	10 Gigabit Ethernet Port	USB3.0 Port		CoaXpress Grabber Board	Opt-C:Link Grabber Board	CameraLink Grabber Board		HDMI Port DVI Port	SDI connector	BNC connector RCA connector
Cable	Ethernet cable Cat 5e or higher	Ethernet cable Cat 6 or higher		USB3.0 Cable		Coaxial Cable	Optical cable	Camera Link Cable		HDMI/DVI Cable	Coaxial Cable for SDI	Coaxial Cable
Max. Cable Length	100 m			3 m		25 m (CXP12)	150 m	Approx. 3 m to 12 m		5 m	100 m	100 m
Image Transmission Capacity	☆☆	☆☆☆	☆☆☆☆	☆☆☆		☆☆☆☆☆	☆☆☆☆☆	☆☆	☆☆☆☆	☆☆	☆☆	☆
Max. Transmission Speed	1 Gbps	5 Gbps	10 Gbps	5 Gbps		50 Gbps (4-lane, CXP12)	40 Gbps	2.38 Gbps	7.14 Gbps	60 fps 1080 p	60 fps 1080 p	59.94 fps 30 Megapixel (interlaced)
Power over Cable	○(PoE Model)	○(PoE Model)	○(PoE Model)	○(All Models)		○	Separate Power Supply	○(PoCL Model)		Separate Power Supply	Separate Power Supply	Separate Power Supply
Software Provider	Camera Manufacturer			Camera Manufacturer	- Camera Manufacturer - Software Manufacturer	Board Manufacturer	Board Manufacturer	Board Manufacturer		Not required		
System Cost	Low	Mid	High	Low		High	High	High		Low	Mid	Low
Multiple Device Connection	Add Ethernet card or use switching hub			Add USB port expansion card (hub not recommended)		Add grabber board	Add grabber board	Add grabber board		Use switcher		
Advantages	- Easy to connect - Cheap cost to connect multiple cameras	- Easy to connect	- Easy to connect - High transmission capacity	- Easy to connect - Low cost - Cheap cost to connect multiple cameras		- Long cable length - High transmission capacity	- Long cable length - Strong to noise	- Proven track record - High transmission capacity		- Can easily be connected directly to monitor	- Long cable length	- Proven track record - Low cost
Disadvantages	- Lower fps comparing with other interfaces	- Limited available resolutions	- Larger casing - Limited available resolutions	- Short cable length		- High board cost	- Few compatible board	- Short cable length - High board cost		- Short cable length - No trigger function	- Few SDI-compatible monitors	- Low resolution
Main Applications	- Image processing - Monitoring			- Image processing - Monitoring	- Monitoring	- Image processing	- Image processing	- Image processing		- Monitoring	- Monitoring	- Image processing - Monitoring

* System costs, advantages and disadvantages are subjective opinions by OMRON

Per-interface comparison table Camera Line-up Chart

Area sensor camera	0.4 - 0.5 M	1.3 - 1.6 M	2 M	3.2 M/4 M	5 M	6 - 9 M	10 - 12 M	16 - 20 M	25 - 40 M	40M -
GigE Vision 	0.4M IMX287	1.3M EV76C560	2M IMX430	3.2M IMX265	5M AR0521	6.4M IMX178	12M IMX226	20M IMX183		
	0.5M IMX433	1.6M IMX273	2.3M IMX249	4M CMV4000	5M IMX264	8.9M IMX276	12M IMX304			
	0.3M (SWIR) IMX991	1.3M (SWIR) IMX990								
USB3 Vision 	0.4M IMX287	1.3M EV76C560	2.3M IMX249	3.2M IMX265/252	5M IMX264/250	8.9M IMX276/255	12M IMX226	20M IMX183		
	0.5M (HighSpeed) IMX426	1.6M IMX273		4M CMV4000	5M IMX568	6.4M IMX178	12M IMX304/253			
	0.3M (SWIR) IMX991	1.3M (SWIR) IMX990								
CameraLink 	0.4M IMX287	1.6M IMX273	2M IMX430	3.2M IMX265/252	5M IMX264/250	8.9M IMX276/255	12M IMX304/253	16.2M IMX542	25M Python25k	
	0.5M IMX433	1.3M (SWIR) IMX990	2M CMV2000	4M CMV4000				20.4M IMX541	25M GMAX0505	
	0.3M (SWIR) IMX991								24.6M IMX540	
CoaXPress 	0.4M IMX287	1.6M IMX273	2M IMX422	3.2M IMX252	5M IMX250	8.1M IMX546	12M CMV12000	16.2M IMX532	24.6M IMX530	67M EV2S67MB
				4M CMV4000	5M IMX547		12M IMX304/253	20.4M IMX531	25M GMAX0505	
							12M IMX545	16.2M IMX542	24.6M IMX540	
								20.4M IMX541		
Opt-C:Link 							12M CMV12000			
HD Camera			1080P IMX291							
TV Format	0.65M ISX017									
UVC (USB 3.0)		1.3M ISX017	2.3M PV4209K							
MIPI		1.3M ISX017								

Line sensor camera	2K	4K	8K	16K
GigE Vision 	•	•	•	
CameraLink 	•	•	•	•

Note. Bule : Now on sale, Green : Coming soon.

GigE Vision Small CMOS Camera M Series

GigE



Description

PoE-compatible GigE Vision camera with high-resolution, high-speed CMOS sensor

Features

More compact (29 mm square) than previous model (35 mm square) 30 mm x 40 mm casing that can accommodate large image sensors of 1 inch or more

Supports GigE Vision ver. 2.1 and newly provides PTP support and other features

Extensive lineup of 0.4-20 MP products

Product Line-up

Global shutter models									
Model	Monochrome/Color	Resolution	Frame Rate	Effective Pixels (H x V)	Sensor Size	Cell Size (μm)	Sensor	Lens Mount	Dimensions (mm)
STC-MBS43POE	Monochrome	0.4M	282.8 fps	720 × 540	1/2.9	6.9 × 6.9	IMX287	C	29 × 29 × 53
STC-MCS43POE	Color								
STC-MBS52POE	Monochrome	0.5M	166.5 fps	816 × 624	1/1.7	9 × 9	IMX433	C	
STC-MCS52POE	Color								
STC-MBE132POE	Monochrome	1.3M	61 fps	1280 × 1024	1/1.8	5.3 × 5.3	EV76C560	C	
STC-MCE132POE	Color								
STC-MBS163POE	Monochrome	1.6M	70.7 fps	1440 × 1088	1/2.9	3.45 × 3.45	IMX273	C	
STC-MCS163POE	Color								
STC-MBS202POE	Monochrome	2M	54.6 fps	1624 × 1240	1/1.7	4.5 × 4.5	IMX430	C	
STC-MCS202POE	Color								
STC-MBS231POE	Monochrome	2.3M	41.6 fps	1920 × 1200	1/1.2	5.86 × 5.86	IMX249	C	
STC-MCS231POE	Color								
STC-MBS312POE	Monochrome	3.2M	34.9 fps	2048 × 1536	1/1.8	3.45 × 3.45	IMX265	C	
STC-MCS312POE	Color								
STC-MBS500POE	Monochrome	5M	21.9 fps	2448 × 2048	2/3	3.45 × 3.45	IMX264	C	
STC-MCS500POE	Color								
STC-MBS881POE	Monochrome	8.9M	12.4 fps	4096 × 2160	1	3.45 × 3.45	IMX267	C	30 × 40 × 54.5
STC-MCS881POE	Color								
STC-MBS122BPOE	Monochrome	12.3M	8.9 fps	4096 × 3000	1.1	3.45 × 3.45	IMX304	C	
STC-MCS122BPOE	Color								

Rolling shutter models									
Model	Monochrome/Color	Resolution	Frame Rate	Effective Pixels (H x V)	Sensor Size	Cell Size (μm)	Sensor	Lens Mount	Dimensions (mm)
STC-MBA503POE-HS	Monochrome	5M	21.8 fps	2592 × 1944	1/2.5	2.2 × 2.2	AR0521	C	29 × 29 × 53
STC-MCA503POE-HS	Color								
STC-MBS642POE	Monochrome	6.4M	17.4 fps	3072 × 2048	1/1.8	2.4 × 2.4	IMX178	C	
STC-MCS642POE	Color								
STC-MBS1242POE	Monochrome	12M	9.2 fps	4000 × 3000	1/1.7	1.85 × 1.85	IMX226	C	
STC-MCS1242POE	Color								
STC-MBS2041POE	Monochrome	20.4M	5.5 fps	5472 × 3648	1	2.4 × 2.4	IMX183	C	30 × 40 × 54.5
STC-MCS2041POE	Color								

Note. Supply power via PoE or power supply and I/O cable.
PoE NIC or Ethernet switch separately needed to supply power via PoE.

Accessories

Screw-Fastened GigE Cables

Model	Length	Cable Type
CAB-GE-02-RBH	2 m	Bending resistance cables
CAB-GE-03-RBH	3 m	
CAB-GE-05-RBH	5 m	
CAB-GE-10-RBH	10 m	
CAB-GE-20-RBH	20 m	
CAB-GE-40-RBH	40 m	
CAB-GE-02-RBX	2 m	Super bending resistance cables
CAB-GE-03-RBX	3 m	
CAB-GE-05-RBX	5 m	
CAB-GE-10-RBX	10 m	
CAB-GE-20-RBX	20 m	
CAB-GE-40-RBX	40 m	

Power Supply and I/O Cables

Model	Length
FJ-VSP2 3M	3 m
FJ-VSP2 5M	5 m
FJ-VSP2 10M	10 m

Note. Please connect the cables according to the external connector specifications prescribed in your camera's specification documents, for faulty wiring can cause failure.
Note. Connect the shell to FG.

Conversion Cables

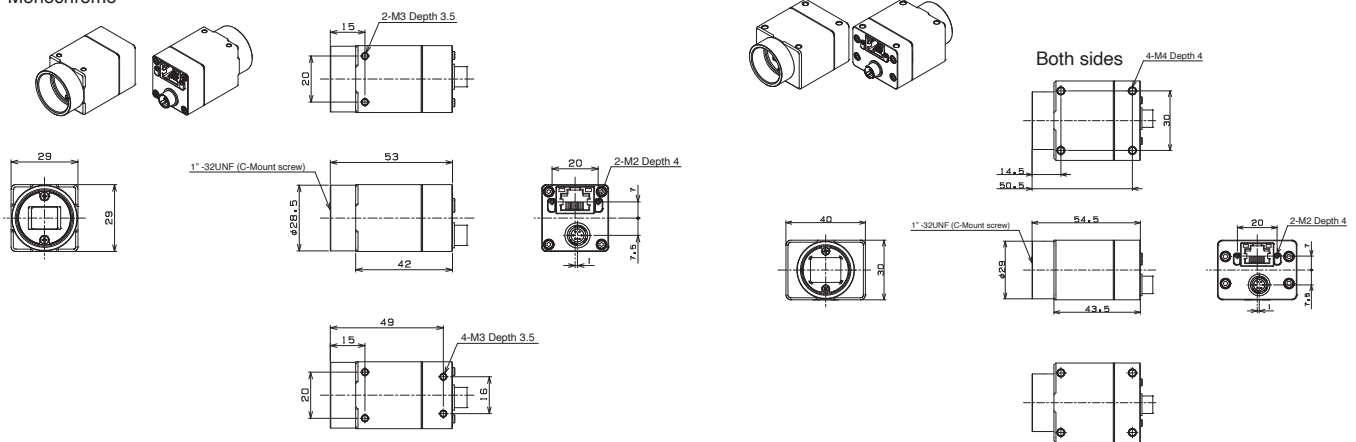
Model	Applicable Model	General Specifications
CAB-KWA-IEA		Converts 6-pin connector to S Series pin assignment

Tripod

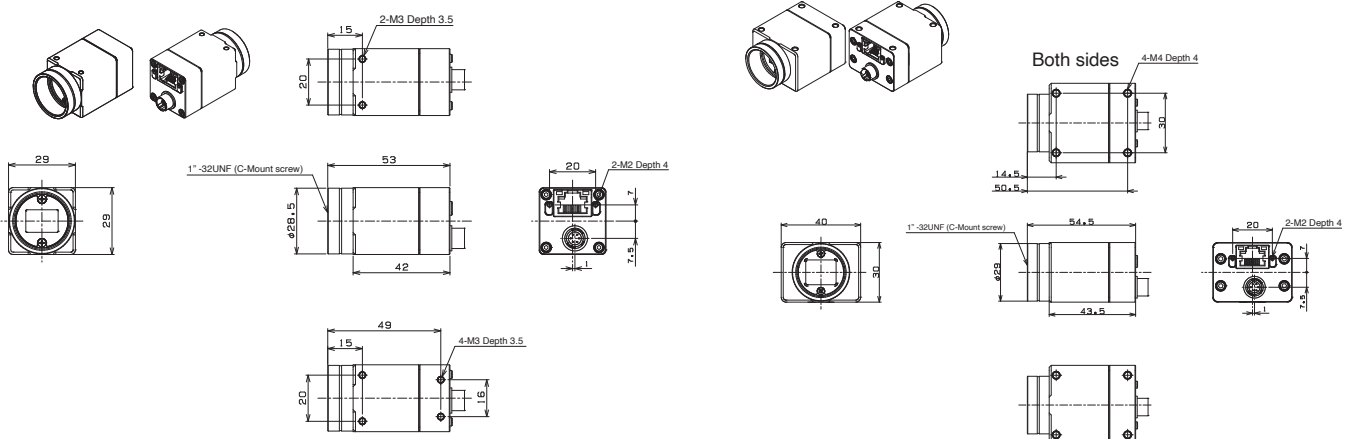
Model	Applicable Model	General Specifications
TP-KWA	GigE Vision M Series	
TP-KWA-IEA	GigE Vision M Series	Use to set M Series at same height as S Series sensor center
TP-KWA2	STC-MBS/MCS881POE, STC-MBS/MCS122BPOE, STC-MBS/MCS2041POE	

Drawing dimension

Monochrome

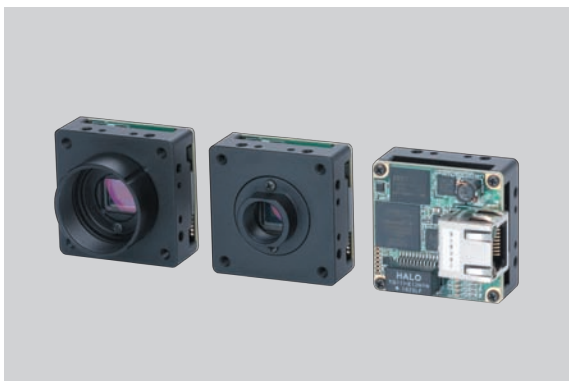


Color



GigE Vision Small CMOS Board Camera

GigE



Description

GigE Vision board camera with high-resolution, high-speed CMOS sensor

Features

Board model that can be installed in spaces with limited depth
Extensive lineup of 0.4-20 MP products

Both PoE models and external power supply models available

Product Line-up

Model	Monochrome/Color	Resolution	Frame Rate	Effective Pixels (H x V)	Sensor Size	Cell Size (μm)	Connector	Type	Power Supply	Lens Mount	Sensor	Shutter Type
STC-BBS43POE-BC	Monochrome	0.4M	282.8 fps	720 x 540	1/2.9	6.9 x 6.9	RJ45 supported	All-in-one	PoE power supply	C	IMX287	Global
STC-BBS43GE-BC									External power supply (PoE not supported)			
STC-BBS43POE-BL									PoE power supply	S		
STC-BBS43GE-BL									External power supply (PoE not supported)			
STC-BCS43POE-BC	Color								C	PoE power supply		
STC-BCS43GE-BC										External power supply (PoE not supported)		
STC-BCS43POE-BL									PoE power supply	S		
STC-BCS43GE-BL									External power supply (PoE not supported)			
STC-BBS163POE-BC	Monochrome	1.6M	70.7 fps	1,440 x 1,088	1/2.9	3.45 x 3.45	RJ45 supported	All-in-one	PoE power supply	C	IMX273	Global
STC-BBS163GE-BC									External power supply (PoE not supported)			
STC-BBS163POE-BL									PoE power supply	S		
STC-BBS163GE-BL									External power supply (PoE not supported)			
STC-BCS163POE-BC	Color								C	PoE power supply		
STC-BCS163GE-BC										External power supply (PoE not supported)		
STC-BCS163POE-BL									PoE power supply	S		
STC-BCS163GE-BL									External power supply (PoE not supported)			
STC-BBS202POE-BC	Monochrome	2M	54.6 fps	1,624 x 1,240	1/1.7	4.5 x 4.5	RJ45 supported	All-in-one	PoE power supply	C	IMX430	Global
STC-BBS202GE-BC									External power supply (PoE not supported)			
STC-BBS202POE-BL									PoE power supply	S		
STC-BBS202GE-BL									External power supply (PoE not supported)			
STC-BCS202POE-BC	Color								C	PoE power supply		
STC-BCS202GE-BC										External power supply (PoE not supported)		
STC-BCS202POE-BL									PoE power supply	S		
STC-BCS202GE-BL									External power supply (PoE not supported)			
STC-BBS312POE-BC	Monochrome	3.2M	34.9 fps	2,048 x 1,536	1/1.8	3.45 x 3.45	RJ45 supported	All-in-one	PoE power supply	C	IMX265	Global
STC-BBS312GE-BC									External power supply (PoE not supported)			
STC-BBS312POE-BL									PoE power supply	S		
STC-BBS312GE-BL									External power supply (PoE not supported)			
STC-BCS312POE-BC	Color								C	PoE power supply		
STC-BCS312GE-BC										External power supply (PoE not supported)		
STC-BCS312POE-BL									PoE power supply	S		
STC-BCS312GE-BL									External power supply (PoE not supported)			
STC-BBS500POE-BC	Monochrome	5M	21.9 fps	2,448 x 2,048	2/3	3.45 x 3.45	RJ45 supported	All-in-one	PoE power supply	C	IMX264	Global
STC-BBS500GE-BC									External power supply (PoE not supported)			
STC-BCS500POE-BC	PoE power supply								S			
STC-BCS500GE-BC	External power supply (PoE not supported)											

Go to the next page

Model	Monochrome/Color	Resolution	Frame Rate	Effective Pixels (H x V)	Sensor Size	Cell Size (µm)	Connector	Type	Power Supply	Lens Mount	Sensor	Shutter Type	
STC-BBS213POE-BC	Monochrome	2.1M	53.0 fps	1,920 x 1,080	1/2.8	2.9 x 2.9	RJ45 supported	All-in-one	PoE power supply	C	IMX291	Rolling	
STC-BBS213GE-BC									External power supply (PoE not supported)				
STC-BBS213POE-BL									PoE power supply				S
STC-BBS213GE-BL									External power supply (PoE not supported)				
STC-BCS213POE-BC	Color								PoE power supply	C			
STC-BCS213GE-BC									External power supply (PoE not supported)				
STC-BCS213POE-BL									PoE power supply	S			
STC-BCS213GE-BL									External power supply (PoE not supported)				
STC-BCS213POE-BC-NIR	Color NIR	PoE power supply	C	IMX462									
STC-BCS213GE-BC-NIR		External power supply (PoE not supported)											
STC-BCS213POE-BL-NIR		PoE power supply	S										
STC-BCS213GE-BL-NIR		External power supply (PoE not supported)											
STC-BBS1242POE-BC	Monochrome	12M	9.2 fps	4,000 x 3,000	1/1.7	1.85 x 1.85	RJ45 supported	All-in-one	PoE power supply	C	IMX226	Rolling	
STC-BBS1242GE-BC									External power supply (PoE not supported)				
STC-BCS1242POE-BC	Color								PoE power supply				
STC-BCS1242GE-BC									External power supply (PoE not supported)				
STC-BBS2041POE-BC	Monochrome	20.4M	5.5 fps	5,472 x 3,648	1	2.4 x 2.4	RJ45 supported	All-in-one	PoE power supply	C	IMX183	Rolling	
STC-BBS2041GE-BC									External power supply (PoE not supported)				
STC-BCS2041POE-BC	Color								PoE power supply				
STC-BCS2041GE-BC									External power supply (PoE not supported)				

Note. Supply power via PoE or from external power supply (if PoE is not supported).
 PoE NIC or Ethernet switch separately needed to supply power via PoE.
 JST's SHR-06V connector or equivalent wiring harness is separately needed to use I/O signals or supply power from external power source (camera equipped with SM06-SRSS (JST) equivalent connector).
 For details on pin arrangement, refer to product specification documents, available for download on our website (<https://sentech.co.jp/en/>).

Accessories

Screw-Fastened GigE Cables		
Model	Length	Cable Type
CAB-GE-02-RBH	2 m	Bending resistance cables
CAB-GE-03-RBH	3 m	
CAB-GE-05-RBH	5 m	
CAB-GE-10-RBH	10 m	
CAB-GE-20-RBH	20 m	
CAB-GE-40-RBH	40 m	
CAB-GE-02-RBX	2 m	Super bending resistance cables
CAB-GE-03-RBX	3 m	
CAB-GE-05-RBX	5 m	
CAB-GE-10-RBX	10 m	
CAB-GE-20-RBX	20 m	
CAB-GE-40-RBX	40 m	

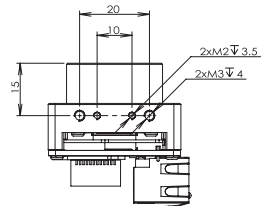
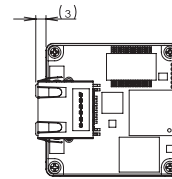
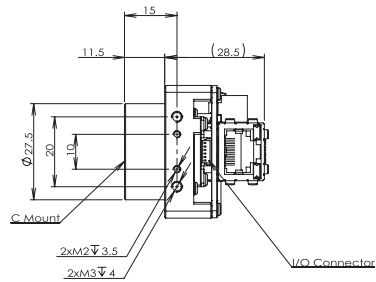
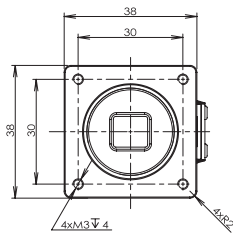
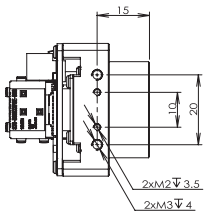
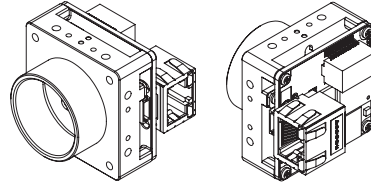
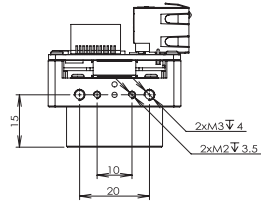
S-Mount (M12 P0.5) Lens

Model	Applicable Model	General Specifications
CV0205C	S-mount models	f = 2.5 mm, 1/3", F2.0, 5 MP resolution
KVAB009		Lens fixing washer

Drawing dimension

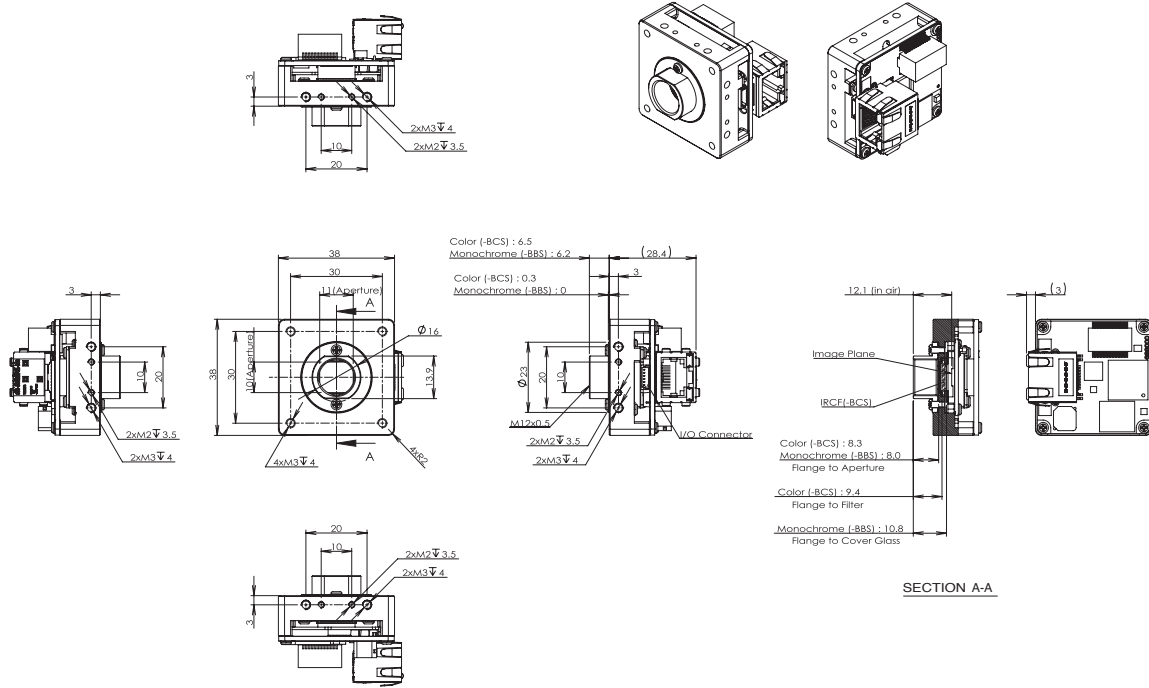
STC-B*S43POE-BC/GE-BC
 STC-B*S163POE-BC/GE-BC
 STC-B*S202POE-BC/GE-BC
 STC-B*S312POE-BC/GE-BC

STC-B*S500POE-BC/GE-BC
 STC-B*S213POE-BC/GE-BC
 STC-B*S1242POE-BC/GE-BC
 STC-B*S2041POE-BC/GE-BC



STC-B*S43POE-BL/GE-BL
 STC-B*S163POE-BL/GE-BL
 STC-B*S202POE-BL/GE-BL
 STC-B*S312POE-BL/GE-BL

STC-B*S500POE-BL/GE-BL
 STC-B*S213POE-BL/GE-BL



Note. For details on dimensions, refer to product specification documents, available for download on our website (<https://sentech.co.jp/en/>).

GigE Vision CMOS Line Sensor Camera

GigE



Description

PoE-compatible GigE Vision line sensor camera

Features

Offered in 2K, 4K, or 8K

Equipped with PoE support, FFC capabilities (to compensate for pixel-to-pixel sensitivity variations), and compact casing designed for easy mounting

Product Line-up

Model	Monochrome/Color	Resolution	Line Rate	Pixel size	Sensor Type	Lens Mount	
FS-B2KU7GES-C	Monochrome	2K	51 kHz	7 um	Single	C	
FS-B2KU7GES-F						F	
FS-B2KU7GES-M42						M42	
FS-B4KU7GES-F		4K	26 kHz	7 um	Single	F	
FS-B4KU7GES-M42						M42	
FS-B8KU35GES-F		8K	13 kHz	3.5 um	Single	F	
FS-B8KU35GES-M42						M42	
FS-B2KU7DGES-C		Color	2K	52 kHz	7 um	Dual	C
FS-B2KU7DGES-F							F
FS-B2KU7DGES-M42			M42				
FS-C4KU7DGES-F	4K		26 kHz	7 um	Dual	F	
FS-C4KU7DGES-M42		M42					

Note. Supply power via PoE or power supply cable.
PoE NIC or Ethernet switch separately needed to supply power via PoE.

Accessories

Screw-Fastened GigE Cables		
Model	Length	Cable Type
CAB-GE-02-RBH	2 m	Bending resistance cables
CAB-GE-03-RBH	3 m	
CAB-GE-05-RBH	5 m	
CAB-GE-10-RBH	10 m	
CAB-GE-20-RBH	20 m	
CAB-GE-40-RBH	40 m	Super bending resistance cables
CAB-GE-02-RBX	2 m	
CAB-GE-03-RBX	3 m	
CAB-GE-05-RBX	5 m	
CAB-GE-10-RBX	10 m	
CAB-GE-20-RBX	20 m	
CAB-GE-40-RBX	40 m	

Power Supply Cables	
Mode	Length
FJ-VSP2 3M	3 m
FJ-VSP2 5M	5 m
FJ-VSP2 10M	10 m

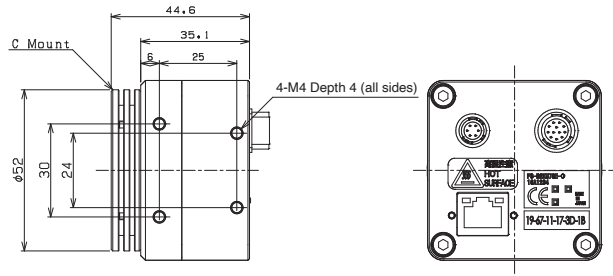
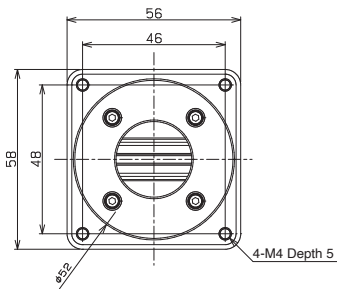
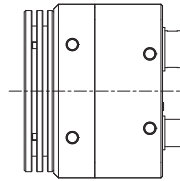
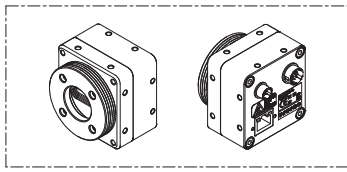
Note. When wiring a camera, be sure to refer to its specification document to check its external connector specifications.
Incorrect wiring can lead to failure.
Note. Do not connect the shell, for doing so can cause failure or malfunction.

I/O Cables	
Mode	Length
CAB-IOH12-02	2 m

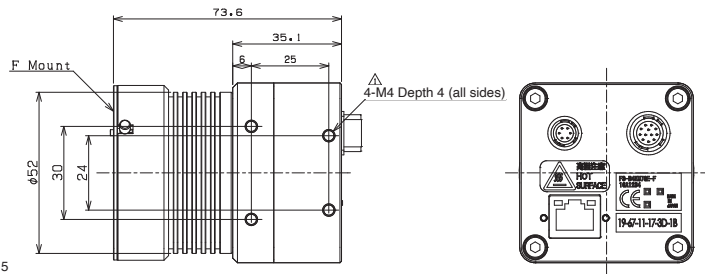
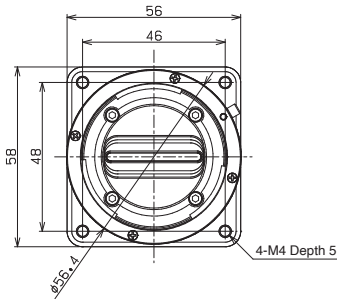
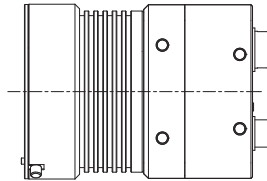
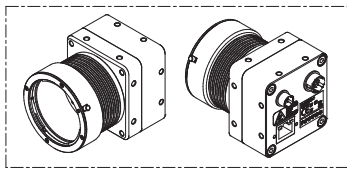
Note. When wiring a camera, be sure to refer to its specification document to check its external connector specifications.
Incorrect wiring can lead to failure.

Drawing dimension

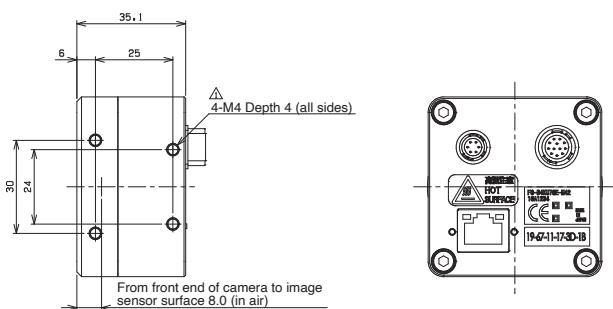
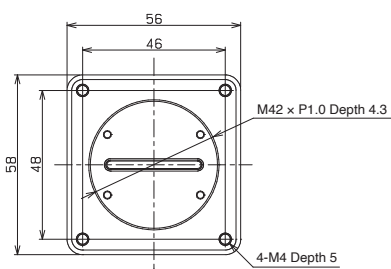
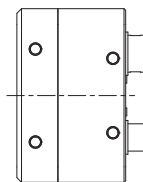
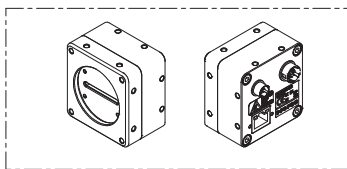
C Mount



F Mount



M42 Mount





Description

USB3.0 Compact CMOS Camera

Features

Offered in resolutions ranging from 0.4M to 20M
Compact and multi-sided mounting possible

Product Line-up

Global shutter models								
Model	Monochrome/Color	Resolution	Frame Rate	Effective Pixels (H x V)	Sensor Size	Cell Size (μm)	Sensor	Lens Mount
STC-MBS43U3V	Monochrome	0.4M	527.1 fps	720 x 540	1/2.9	6.9 x 6.9	IMX287	C
STC-MCS43U3V	Color							
STC-MBS52U3V	Monochrome	0.5M	721.5 fps	816 x 624	1/1.7	9 x 9	IMX426	C
STC-MCS52U3V	Color							
STC-MBE132U3V	Monochrome	1.3M	60 fps	1280 x 1024	1/1.8	5.3 x 5.3	EV76C560	CS
STC-MCE132U3V	Color							
STC-MBS163U3V	Monochrome	1.6M	238 fps	1440 x 1080	1/2.9	3.45 x 3.45	IMX273	C
STC-MCS163U3V	Color							
STC-MBS231U3V	Monochrome	2.3M	41.6 fps	1920 x 1200	1/1.2	5.86 x 5.86	IMX249	C
STC-MCS231U3V	Color							
STC-MBS241U3V	Monochrome	2.3M	163 fps	1920 x 1200	1/1.2	5.86 x 5.86	IMX174	C
STC-MCS241U3V	Color							
STC-MBS312U3V	Monochrome	3.2M	56 fps	2048 x 1536	1/1.8	3.45 x 3.45	IMX265	C
STC-MCS312U3V	Color							
STC-MBS312U3V-SE	Monochrome							
STC-MCS312U3V-SE	Color							
STC-MBS322U3V	Monochrome	3.2M	121 fps	2048 x 1536	1/1.8	3.45 x 3.45	IMX252	C
STC-MCS322U3V	Color							
STC-MBS322U3V-SE	Monochrome							
STC-MCS322U3V-SE	Color							
STC-MBCM401U3V	Monochrome	4M	89 fps	2048 x 2048	1	5.5 x 5.5	CMV4000	C
STC-MCCM401U3V	Color							
STC-MBCM401U3V-NIR	Monochrome NIR							
STC-MBS500U3V	Monochrome	5M	35.8 fps	2448 x 2048	2/3	3.45 x 3.45	IMX264	C
STC-MCS500U3V	Color							
STC-MBS500U3V-SE	Monochrome							
STC-MCS500U3V-SE	Color							
STC-MBS510U3V	Monochrome	5M	75.7 fps	2448 x 2048	2/3	3.45 x 3.45	IMX250	C
STC-MCS510U3V	Color							
STC-MBS510U3V-SE	Monochrome							
STC-MCS510U3V-SE	Color							
STC-MBS70BU3V	Monochrome	7.1M	51.2 fps	3216 x 2208	1.1	4.5 x 4.5	IMX428	C
STC-MCS70BU3V	Color							
STC-MBS881U3V	Monochrome	8.9M	32.5 fps	4096 x 2160	1	3.45 x 3.45	IMX267	C
STC-MCS881U3V	Color							

Go to the next page

Model	Monochrome/Color	Resolution	Frame Rate	Effective Pixels (H × V)	Sensor Size	Cell Size (μm)	Sensor	Lens Mount
STC-MBS891U3V	Monochrome	8.9M	41.9 fps	4096 × 2160	1	3.45 × 3.45	IMX255	C
STC-MCS891U3V	Color							
STC-MBS122BU3V	Monochrome	12.3M	23.5 fps	4096 × 3000	1.1	3.45 × 3.45	IMX304	C
STC-MCS122BU3V	Color							
STC-MBS123BU3V	Monochrome	12.3M	30.4 fps	4096 × 3000	1.1	3.45 × 3.45	IMX253	C
STC-MCS123BU3V	Color							

Note. We recommend that you use an external power supply for 7.1M, 8.9M and 12M cameras, for depending on PC performance, power supplied via USB bus connection alone may not be sufficient for these cameras. For these cameras, we recommend that you use I/O cables and supply power separately from external sources.

Note. Models with "SE" have been additionally equipped with the Short Exposure Mode feature. Choose these models to use the Short Exposure feature with 3.2M or 5M resolution.

Rolling shutter models								
Model	Monochrome/Color	Resolution	Frame Rate	Effective Pixels (H × V)	Sensor Size	Cell Size (μm)	Sensor	Lens Mount
STC-MBS1242U3V	Monochrome	12M	31.2 fps	4000 × 3000	1/1.7	1.85 × 1.85	IMX226	C
STC-MCS1242U3V	Color							
STC-MBS2041U3V	Monochrome	20.4M	18.5 fps	5472 × 3648	1	2.4 × 2.4	IMX183	C
STC-MCS2041U3V	Color							

Note. Depending on PC performance, USB bus power supply alone may not be sufficient for 12 M / 20.4 M cameras. For these cameras, we recommend that you use I/O cables and supply power separately from external sources.

Accessories

USB 3.0 Cables (USB 3.0 Micro-B, with Camera-Side Fastening Screws)		
Model	Length	Cable Type
CAB-USB3-02	2 m	Normal
CAB-USB3-03	3.5 m	
CAB-USB3-05	5 m	
CAB-USB3-07	7 m	
CAB-USB3-10	10 m	Normal high-transmission cables
CAB-USB3-02-RB	2 m	Robot cables
CAB-USB3-03-RB	3.5 m	
CAB-USB3-05-RB	5 m	
CAB-USB3-07-RB	7 m	

Note. Please make sure in advance that USB 3.0 cables operate correctly under your environment.

Mount Conversion Adapter	
Model	Applicable Model
CS-C-R	CS Mount Series

Tripod Mount	
Model	Applicable Model
TP-HCA *	STC-MCE/MBE132U3V, STC-MCA/MBA5MUSB3
TP-JVA	0.4M, 1.6M, 2.3M, 3.2M, 4M, 5M (M*S500/510U3V)
TP-JQA	7.1M, 8.9M, 12M, 12.3M, 20.4M

* The tripod mount is screwed at two points on the lens side.

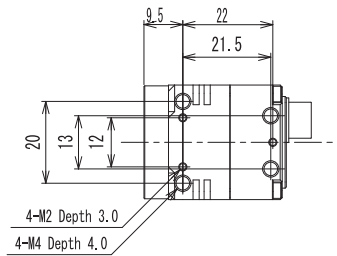
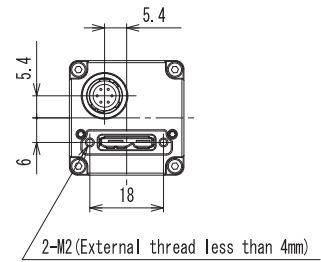
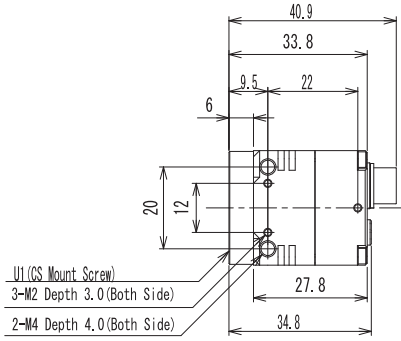
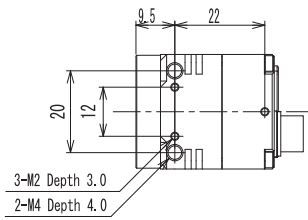
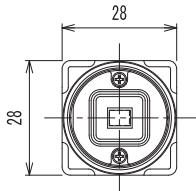
I/O Cables	
Model	Length
FJ-VSP2 3M	3 m
FJ-VSP2 5M	5 m
FJ-VSP2 10M	10 m

Note. Please connect the cables according to the external connector specifications prescribed in your camera's specification documents, for faulty wiring can cause failure.

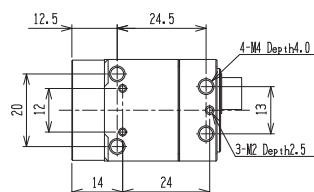
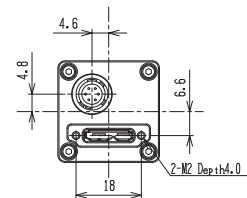
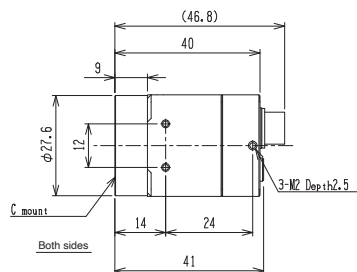
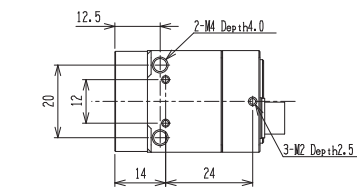
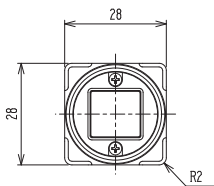
Note. Do not connect the shell, for doing so can cause failure or malfunction.

Drawing dimension

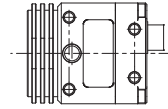
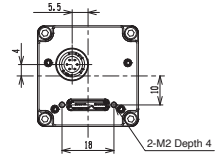
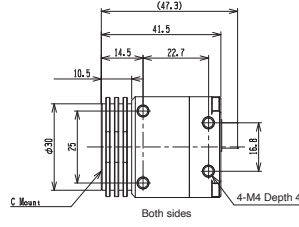
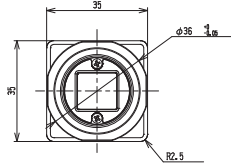
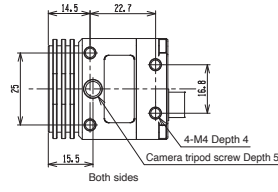
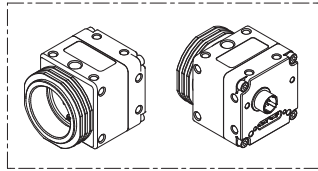
STC-MBE/MCE132U3V



- STC-MBS/MCS43U3V
- STC-MBS/MCS52U3V
- STC-MBS/MCS163U3V
- STC-MBCM/MCCM401U3V(-NIR)
- STC-MBS/MCS241U3V
- STC-MBS/MCS231U3V
- STC-MBS/MCS312U3V(-SE)
- STC-MBS/MCS322U3V(-SE)
- STC-MBS/MCS500U3V(-SE)
- STC-MBS/MCS510U3V(-SE)



- STC-MBS/MCS70BU3V
- STC-MBS/MCS881U3V
- STC-MBS/MCS891U3V
- STC-MBS/MCS122BU3V
- STC-MBS/MCS123BU3V
- STC-MBS/MCS1242U3V
- STC-MBS/MCS2041U3V



USB3.0 Small Board Camera

USB3.0



Description

USB3 Vision Small Board Camera

Features

Small board camera that can be installed in spaces with limited depth

6.4 MP rolling shutter camera

Lens mount options: without mount, C mount, CS mount, or S mount

Product Line-up

Global shutter models

Model	Monochrome/Color	Resolution	Frame Rate	Effective Pixels (H x V)	Sensor Size	Cell Size (μm)	Sensor	Lens Mount
STC-BBS43U3V	Monochrome	0.4M	527.1 fps	720 × 540	1/2.9	6.9 × 6.9	IMX287	---
STC-BCS43U3V	Color							---
STC-BBS43U3V-BC	Monochrome							C
STC-BCS43U3V-BC	Color							C
STC-BBS43U3V-BL	Monochrome							S
STC-BCS43U3V-BL	Color							S
STC-BBS163U3V	Monochrome	1.6M	238 fps	1440 × 1080	1/2.9	3.45 × 3.45	IMX273	---
STC-BCS163U3V	Color							---
STC-BBS163U3V-BC	Monochrome							C
STC-BCS163U3V-BC	Color							C
STC-BBS163U3V-BL	Monochrome							S
STC-BCS163U3V-BL	Color							S
STC-BBS502U3V	Monochrome	5M	70.8 fps	2448 × 2048	1/1.8	2.74 × 2.74	IMX568	---
STC-BCS502U3V	Color							---
STC-BBS502U3V-BC	Monochrome							C
STC-BCS502U3V-BC	Color							C
STC-BBS502U3V-BL	Monochrome							S
STC-BCS502U3V-BL	Color							S

Rolling shutter models

Model	Monochrome/Color	Resolution	Frame Rate	Effective Pixels (H x V)	Sensor Size	Cell Size (μm)	Sensor	Lens Mount
STC-BBS642U3V	Monochrome	6.3M	29.5 fps	3072 × 2048	1/1.8	2.4 × 2.4	IMX178	---
STC-BCS642U3V	Color							---
STC-BBS642U3V-BC	Monochrome							C
STC-BCS642U3V-BC	Color							CS
STC-BBS642U3V-BCS	Monochrome							S
STC-BCS642U3V-BCS	Color							
STC-BBS642U3V-BL	Monochrome							
STC-BCS642U3V-BL	Color							
STC-BBS1242U3V	Monochrome	12M	25.8 fps	4000 × 3000	1/1.7	1.85 × 1.85	IMX226	---
STC-BCS1242U3V	Color							---
STC-BBS1242U3V-BC	Monochrome							C
STC-BCS1242U3V-BC	Color							---

Note. JST's 04SUR-32 connector or equivalent wiring harness is separately needed to use I/O signals (camera equipped with BM04B-SURS-TF (JST) equivalent connector). For details on pin arrangement, refer to product specification documents, available for download on our website (<https://sentech.co.jp/en/>).

Accessories

USB 3.0 Cables (USB 3.0 Micro-B, with Camera-Side Fastening Screws)		
Model	Length	Cable Type
CAB-USB3-02	2 m	Normal
CAB-USB3-03	3.5 m	
CAB-USB3-05	5 m	
CAB-USB3-07	7 m	
CAB-USB3-10	10 m	Normal high-transmission cables
CAB-USB3-02-RB	2 m	Robot cables
CAB-USB3-03-RB	3.5 m	
CAB-USB3-05-RB	5 m	
CAB-USB3-07-RB	7 m	

Note. Please make sure in advance that USB 3.0 cables operate correctly under your environment.

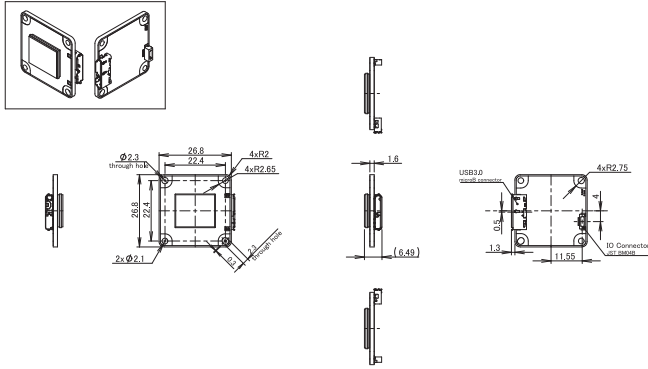
Mount Conversion Adapter

Model	Applicable Model
CS-C-R	CS Mount Series

Drawing dimension

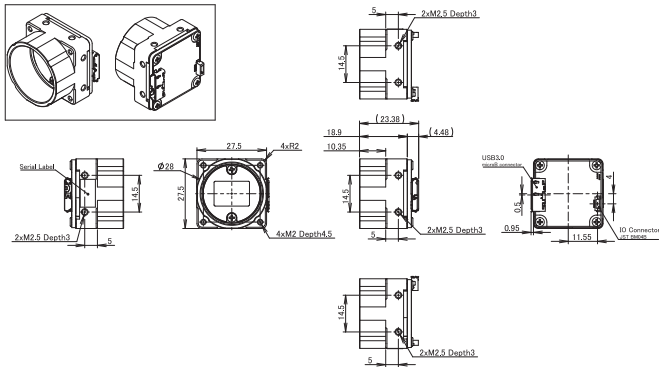
STC-BBS/BCS43U3V
STC-BBS/BCS163U3V
STC-BBS/BCS502U3V

STC-BBS/BCS642U3V
STC-BBS/BCS1242U3V



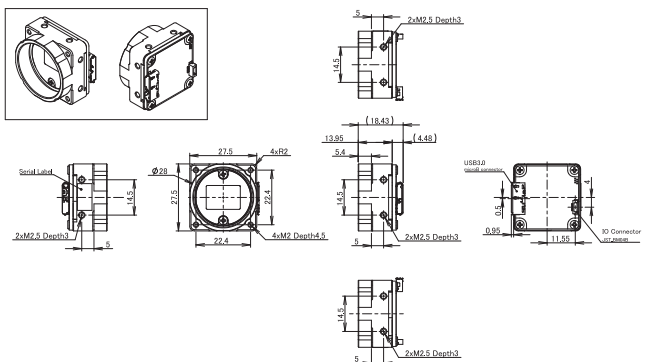
STC-BCS43U3V-BC
STC-BCS163U3V-BC
STC-BCS502U3V-BC

STC-BCS642U3V-BC
STC-BCS1242U3V-BC



STC-BCS43U3V-BCS
STC-BCS163U3V-BCS

STC-BCS502U3V-BCS
STC-BCS642U3V-BCS

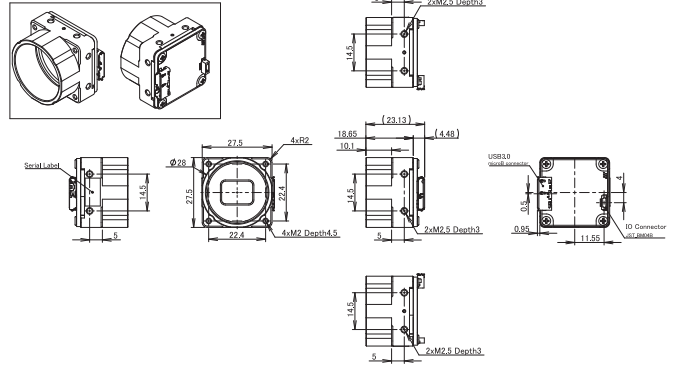


S-Mount (M12 P0.5) Lens

Model	Applicable Model	General Specifications
CV0205C	S-mount models	f = 2.5 mm, 1/3", F2.0, 5 MP resolution
KVAB009		Lens fixing washer

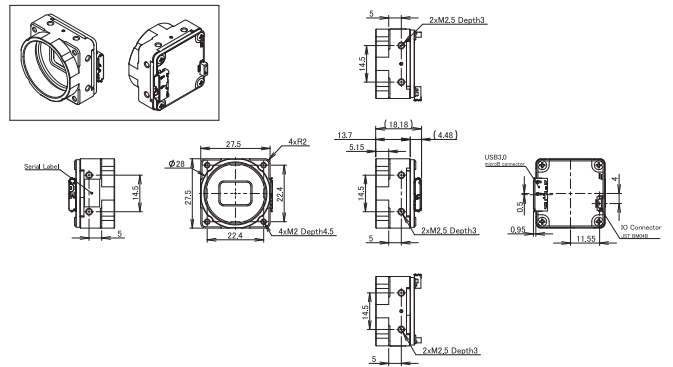
STC-BBS43U3V-BC
STC-BBS163U3V-BC
STC-BBS502U3V-BC

STC-BBS642U3V-BC
STC-BBS1242U3V-BC



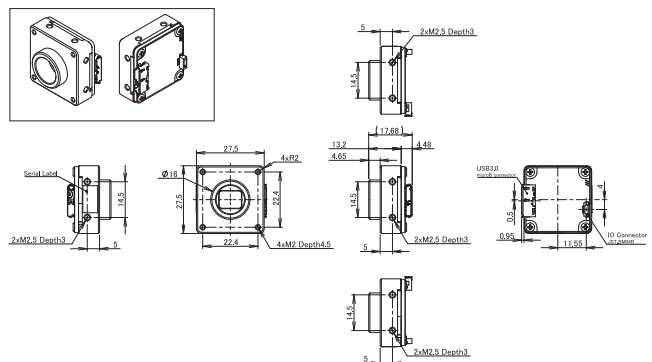
STC-BBS43U3V-BCS
STC-BBS163U3V-BCS

STC-BBS502U3V-BCS
STC-BBS642U3V-BCS



STC-BBS/BCS43U3V-BL
STC-BBS/BCS163U3V-BL

STC-BBS/BCS502U3V-BL
STC-BBS/BCS642U3V-BL





Description

Small Camera with Liquid Lens

Features

- Camera with liquid lens
- No moving parts, enabling high-speed focus adjustment in approximately 0.1 seconds

Product Line-up

USB3.0 Vision Board Level Camera with Liquid Lens								
Model	Monochrome/Color	Resolution	Frame Rate	Effective Pixels (H x V)	Sensor Size	Cell Size (μm)	Sensor	General Specifications
STC-BBS43U3V-VF096	Monochrome	0.4M	527.1 fps	720 × 540	1/2.9	6.9 × 6.9	IMX287	Liquid lens with a focal length f of 9.6 mm
STC-BCS43U3V-VF096	Color							
STC-BBS163U3V-VF096	Monochrome	1.6M	238 fps	1440 × 1080	1/2.9	3.45 × 3.45	IMX273	
STC-BCS163U3V-VF096	Color							
STC-BBS502U3V-VF096	Monochrome	5M	70.8 fps	2448 × 2048	1/1.8	2.74 × 2.74	IMX568	
STC-BCS502U3V-VF096	Color							

Accessories

USB 3.0 Cables (USB 3.0 Micro-B, with Camera-Side Fastening Screws)		
Model	Length	Cable Type
CAB-USB3-02	2 m	Normal
CAB-USB3-03	3.5 m	
CAB-USB3-05	5 m	
CAB-USB3-07	7 m	
CAB-USB3-10	10 m	Normal high-transmission cables
CAB-USB3-02-RB	2 m	Robot cables
CAB-USB3-03-RB	3.5 m	
CAB-USB3-05-RB	5 m	
CAB-USB3-07-RB	7 m	

Note. Please make sure in advance that USB 3.0 cables operate correctly under your environment.

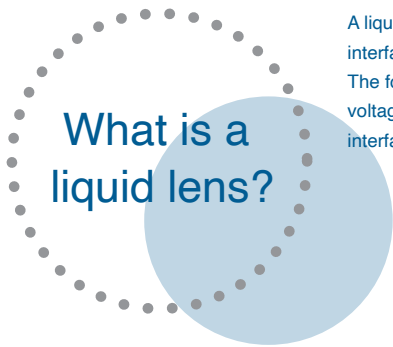
Six strengths

Six strengths compared with conventional autofocus lenses

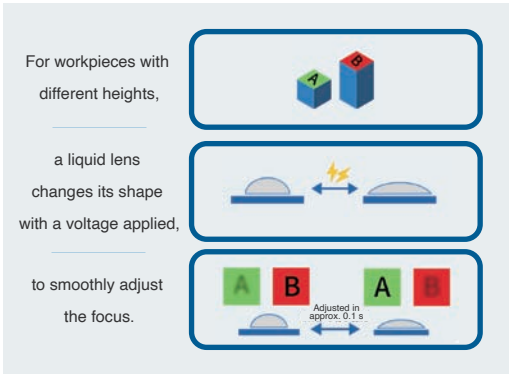
- No moving parts
- A wide range of working distance from 30 mm to 6,000 mm (based on a 5MP model)
- Focus adjustment in approximately 0.1 seconds
- Durability withstanding several hundred million cycles of use
- Low power consumption within 1 mW
- Quiet operation

- High speed
- Low cost
- Downsized

What is a liquid lens?



A liquid lens is an optical part made of an interface between water and oil in a cell. The focus is obtained by applying a voltage that changes the shape of the interface to adjust the light refractivity.

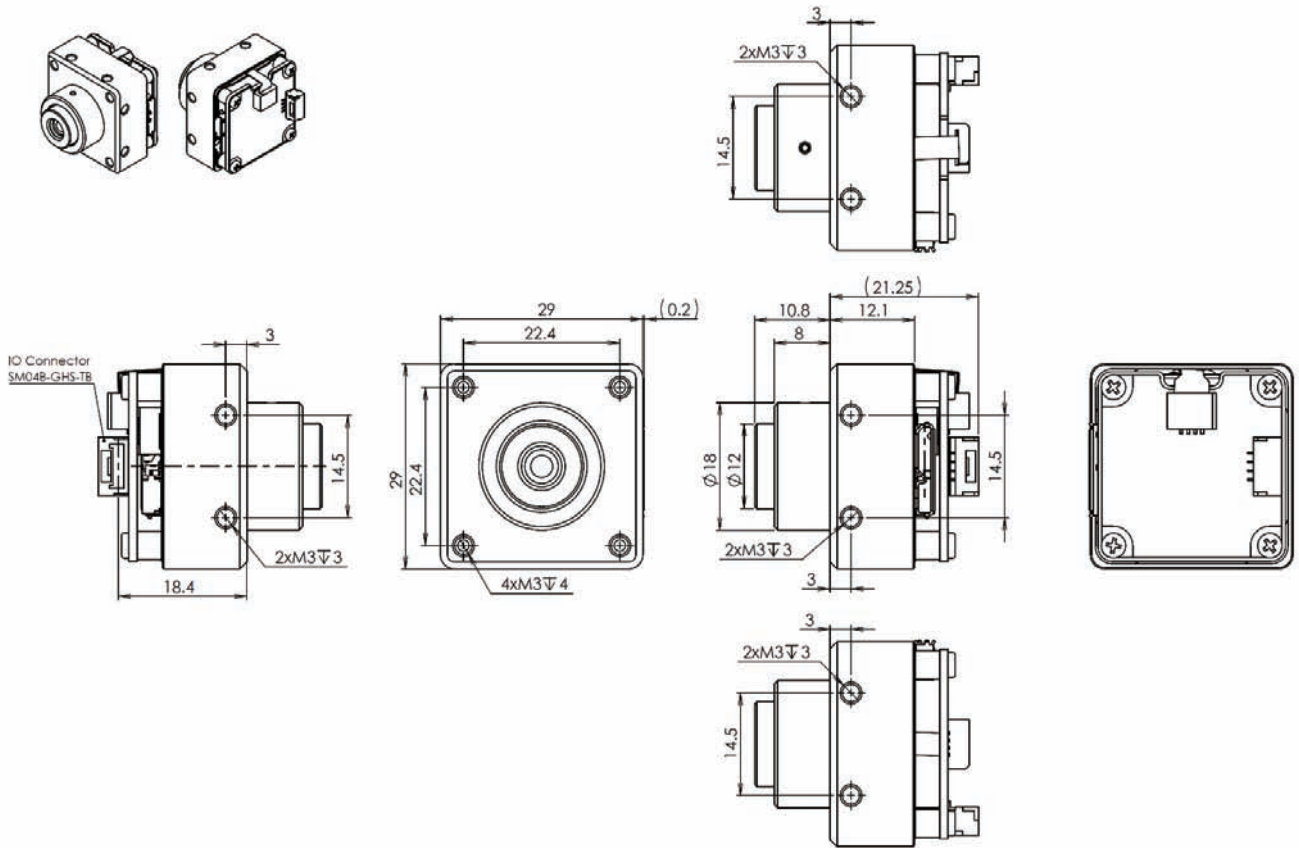


Drawing dimension

STC-BBS/BCS43U3V-VF096

STC-BBS/BCS163U3V-VF096

STC-BBS/BCS502U3V-VF096



USB3.0 Remote Head Camera



Description

Ultra-compact USB3 Vision remote head camera

Features

Remote sensor unit allows for compact head that can be installed in small spaces where installation was previously difficult

More durable cables

1.6 M models are S-mount cameras with heads connected by either 1 m or 2.5 m cables

Product Line-up

Model	Monochrome/Color	Resolution	Frame Rate	Effective Pixels (H x V)	Sensor Size	Cell Size (μm)	Sensor	Lens Mount	General Specifications	
STC-RBS163U3V-UM121	Monochrome	1.6M	238 fps	1440 × 1080	1/2.9	3.45 × 3.45	IMX273	S	Cable from top, cable length: 1 m	
STC-RCS163U3V-UM121	Color								Cable from rear, cable length: 1 m	
STC-RBS163U3V-SM121	Monochrome								Cable from top, cable length: 2.5 m	
STC-RCS163U3V-SM121	Color								Cable from rear, cable length: 2.5 m	
STC-RBS163U3V-UM12	Monochrome									
STC-RCS163U3V-UM12	Color									
STC-RBS163U3V-SM12	Monochrome									
STC-RCS163U3V-SM12	Color									

Accessories

USB 3.0 Cables (USB 3.0 Micro-B, with Camera-Side Fastening Screws)		
Model	Length	Cable Type
CAB-USB3-02	2 m	Normal
CAB-USB3-03	3.5 m	
CAB-USB3-05	5 m	
CAB-USB3-07	7 m	
CAB-USB3-10	10 m	Normal high-transmission cables
CAB-USB3-02-RB	2 m	Robot cables
CAB-USB3-03-RB	3.5 m	
CAB-USB3-05-RB	5 m	
CAB-USB3-07-RB	7 m	

Note. Please make sure in advance that USB 3.0 cables operate correctly under your environment.

Power Supply and I/O Cables	
Model	Length
FJ-VSP2 3M	3 m
FJ-VSP2 5M	5 m
FJ-VSP2 10M	10 m

Note. Please connect the cables according to the external connector specifications prescribed in your camera's specification documents, for faulty wiring can cause failure.

Note. Do not connect the shell, for doing so can cause failure or malfunction.

S-Mount (M12 P0.5) Lens

Model	Applicable Model	General Specifications
CV0205C	S-mount models	f = 2.5 mm, 1/3", F2.0, 5 MP resolution
KVAB009		Lens fixing washer



Description

High Speed CMOS CoaXPRESS Camera

Features

Compact design with less depth allows for easy installation
 Longer transmission distance than Camera Link cameras; supports PoCXP and therefore needs only one cable, reducing wiring
 Good substitute for Camera Link

Product Line-up

Model	Monochrome/Color	Resolution	Frame Rate	Effective Pixels (H x V)	Sensor Size	Cell Size (µm)	Sensor	Lens Mount	Connector Specification	General Specifications
STC-MBS43CXP3	Monochrome	0.4M	523fps	720 x 540	1/2.9	6.9 x 6.9	IMX287	C	BNC	PoCXP, 1-lane CXP3
STC-MCS43CXP3	Color									
STC-MBS163CXP6	Monochrome	1.6M	278fps	1440 x 1080	1/2.9	3.45 x 3.45	IMX273	C	BNC	PoCXP, 1-lane CXP3
STC-MCS163CXP6	Color									
STC-MBS212CXP6	Monochrome	2M	239fps	1632 x 1240	1/1.7	4.5 x 4.5	IMX422	C	BNC	PoCXP, 1-lane CXP6
STC-MCS212CXP6	Color									
STC-MBS322CXP6	Monochrome	3.1M	152fps	2048 x 1536	1/1.8	3.45 x 3.45	IMX252	C	BNC	PoCXP, 1-lane CXP6
STC-MCS322CXP6	Color									
STC-CMB401CXP	Monochrome	4.2M	142.5fps	2048 x 2048	1	5.5 x 5.5	CMV4000	C	DIN	PoCXP, 1-lane CXP6
STC-CMC401CXP	Color									
STC-CMB401CXP-NIR	MonochromeNIR									
STC-MBS502CXP6	Monochrome	5M	92fps	2448 x 2048	1/1.8	2.74 x 2.74	IMX547	C	BNC	PoCXP, 1-lane CXP6
STC-MCS502CXP6	Color									
STC-MBS502CXP121 *	Monochrome	5M	122fps	2448 x 2048	1/1.8	2.74 x 2.74	IMX547	C	MicroBNC	PoCXP, 1-lane CXP12
STC-MCS502CXP121 *	Color									
STC-MBS510CXP6	Monochrome	5M	98fps	2448 x 2048	2/3	3.45 x 3.45	IMX250	C	BNC	PoCXP, 1-lane CXP6
STC-MCS510CXP6	Color									
STC-SBS510CXP62	Monochrome	5M	162fps	2448 x 2048	2/3	3.45 x 3.45	IMX250	C	MicroBNC	PoCXP, 2-lane CXP6
STC-SCS510CXP62	Color									
STC-MBS510CXP121 *	Monochrome	5M	163fps	2448 x 2048	2/3	3.45 x 3.45	IMX250	C	MicroBNC	PoCXP, 1-lane CXP12
STC-MCS510CXP121 *	Color									
STC-MBS800CXP6	Monochrome	8.1M	60fps	2840 x 2840	2/3	2.74 x 2.74	IMX546	C	BNC	PoCXP, 1-lane CXP6
STC-MCS800CXP6	Color									
STC-MBS800CXP121	Monochrome	8.1M	90fps	2840 x 2840	2/3	2.74 x 2.74	IMX546	C	MicroBNC	PoCXP, 1-lane CXP12
STC-MCS800CXP121	Color									
STC-MBS1221CXP6	Monochrome	12.3M	44fps	4096 x 3000	1.1	2.74 x 2.74	IMX545	C	BNC	PoCXP, 1-lane CXP6
STC-MCS1221CXP6	Color									
STC-MBS1221CXP121 *	Monochrome	12.3M	54.7fps	4096 x 3000	1.1	3.45 x 3.45	IMX545	C	MicroBNC	PoCXP, 1-lane CXP12
STC-MCS1221CXP121 *	Color									
STC-SBS123BCXP62	Monochrome	12.3M	67fps	4096 x 3000	1.1	3.45 x 3.45	IMX253	C	MicroBNC	PoCXP, 2-lane CXP6
STC-SCS123BCXP62	Color									
STC-MBS123BCXP121 *	Monochrome	12.3M	68fps	4096 x 3000	1.1	3.45 x 3.45	IMX253	C	MicroBNC	PoCXP, 1-lane CXP12
STC-MCS123BCXP121 *	Color									
STC-CMB120ACXP	Monochrome	12M	180fps	4096 x 3072	1.76	5.5 x 5.5	CMV12000	M42	DIN	PoCXP, 4-lane CXP6
STC-CMC120ACXP	Color									PoCXP, 4-lane CXP6, cable from top
STC-CMB120ACXP-T	Monochrome									PoCXP, 4-lane CXP6
STC-CMC120ACXP-T	Color									PoCXP, 4-lane CXP6, cable from top
STC-CMB120ACXP-F	Monochrome							PoCXP, 4-lane CXP6		
STC-CMC120ACXP-F	Color							PoCXP, 4-lane CXP6		
STC-CMB120ACXP-T-F	Monochrome							PoCXP, 4-lane CXP6, cable from top		
STC-CMC120ACXP-T-F	Color							PoCXP, 4-lane CXP6, cable from top		

Model	Monochrome/Color	Resolution	Frame Rate	Effective Pixels (H x V)	Sensor Size	Cell Size (μm)	Sensor	Lens Mount	Connector Specification	General Specifications
STC-MBS161BCXP121 *	Monochrome	16.1M	52.6fps	5320 x 3032	1.1	2.74 x 2.74	IMX542	C	MicroBNC	PoCXP, 1-lane CXP12
STC-MCS161BCXP121 *	Color									
STC-LBS162BCXP124	Monochrome	16.1M	159fps	5320 x 3032	1.1	2.74 x 2.74	IMX532	C	MicroBNC	PoCXP, 4-lane CXP12
STC-LCS162BCXP124	Color									
STC-LBS162BCXP124-T	Monochrome									
STC-LCS162BCXP124-T	Color									
STC-MBS203BCXP121	Monochrome	20.3M	42.7fps	4504 x 4504	1.1	2.74 x 2.74	IMX541	C	MicroBNC	PoCXP, 1-lane CXP12
STC-MCS203BCXP121	Color									
STC-LBS204BCXP124	Monochrome	20.3M	109fps	4504 x 4504	1.1	2.74 x 2.74	IMX531	C	MicroBNC	PoCXP, 4-lane CXP12
STC-LCS204BCXP124	Color									
STC-LBS204BCXP124-T	Monochrome									
STC-LCS204BCXP124-T	Color									
STC-MBS245CCXP121 *	Monochrome	24.5M	35fps	5320 x 4600	1.2	2.74 x 2.74	IMX540	C	MicroBNC	PoCXP, 1-lane CXP12
STC-MCS245CCXP121 *	Color		45fps				IMX530			
STC-MBS246CCXP121 *	Monochrome									
STC-MCS246CCXP121 *	Color									
STC-LBS246CCXP124	Monochrome	24.5M	106fps	5320 x 4600	1.2	2.74 x 2.74	IMX530	C	MicroBNC	PoCXP, 4-lane CXP12
STC-LCS246CCXP124	Color									
STC-LBS246CCXP124-T	Monochrome									
STC-LCS246CCXP124-T	Color									
STC-LBGP250BCXP122 *	Monochrome	25M	50fps	5120 x 5120	1.1	2.5 x 2.5	GMAX0505	C	MicroBNC	PoCXP, 2-lane CXP12
STC-LCGP250BCXP122 *	Color									
STC-LBGP251BCXP124	Monochrome	25M	150fps	5120 x 5120	1.1	2.5 x 2.5	GMAX0505	C	MicroBNC	PoCXP, 4-lane CXP12
STC-LCGP251BCXP124	Color									
STC-LBGP251BCXP124-T	Monochrome									
STC-LCGP251BCXP124-T	Color									
STC-LBE671FCXP124	Monochrome	67M	64fps	8192 x 8192	APS-C	2.5 x 2.5	EV2S67M	M42	MicroBNC	PoCXP, 4-lane CXP12
STC-LCE671FCXP124 *	Color									
STC-LBE671FCXP124-T *	Monochrome									
STC-LCE671FCXP124-T *	Color									
STC-LBE671FCXP124-F *	Monochrome	67M	64fps	8192 x 8192	APS-C	2.5 x 2.5	EV2S67M	F	MicroBNC	PoCXP, 4-lane CXP12
STC-LCE671FCXP124-F *	Color									
STC-LBE671FCXP124-T-F *	Monochrome									
STC-LCE671FCXP124-T-F *	Color									

Note: STC-M□S43CXP3/M□S163CXP6/M□S212CXP6/M□S322CXP6/CM□401CXP/M□S10CXP6/M□S502CXP6/M□S800CXP6/M□S1221CXP6 /M□S161BCXP121/M□S203BCXP121 support only PoCXP Power cannot be supplied to these products from external power sources.

* Coming soon.

Accessories

Mount Conversion Adapter		
Model	Applicable Model	General Specifications
M42-F-R	12M M42 Model	M42 P=1 FB=10 mm □ F mount Conversion Adapter

Power Supply and I/O Cables	
Model	Length
FJ-VSP2 3M	3 m
FJ-VSP2 5M	5 m
FJ-VSP2 10M	10 m

Note. Please connect the cables according to the external connector specifications prescribed in your camera's specification documents, for faulty wiring can cause failure.

Note. Do not connect the shell, for doing so can cause failure or malfunction.

Note. STC-M□S502CXP121/S□S510CXP62/M□S510CXP121/

-M□S800CXP121/M□S1221CXP121/S□S123BCXP62/

-M□S123BCXP121/CM□120ACXP/L□S162BCXP124/

-L□S204BCXP124/M□S245CCXP121/M□S246CCXP121/

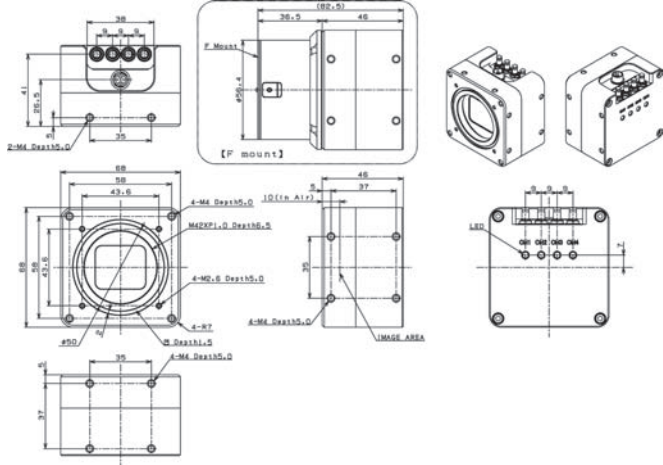
-L□S246CCXP124/L□GP250BCXP122/L□GP251BCXP124/

-L□E671FCXP124 support both PoCXP and power supply from external power sources using I/O cables.

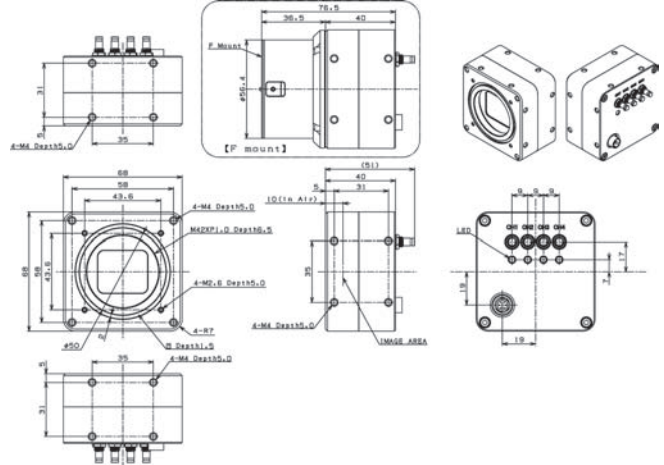
Robot cable for CoaXPress camera				
Model	Applicable Model	Connector type (on the image input board side)	Connector type (on the camera side)	Length
CAB-CXP-02-MBSB	CoaXPress	MicroBNC	BNC	2 m
CAB-CXP-03-MBSB				3 m
CAB-CXP-05-MBSB				5 m
CAB-CXP-10-MBSB				10 m
CAB-CXP-02-MBMB			MicroBNC	2 m
CAB-CXP-03-MBMB				3 m
CAB-CXP-05-MBMB				5 m
CAB-CXP-10-MBMB				10 m
CAB-CXP-10-MBJB	Extension Cable (used with a 2 m/3 m/5 m cable above)		MicroBNC(J)	10 m

Drawing dimension

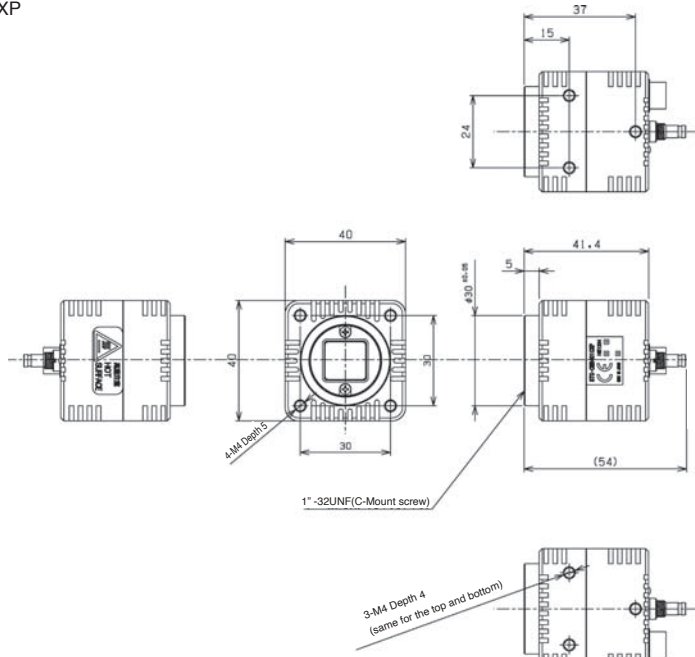
STC-CMB/CMC120ACXP-T



STC-CMB/CMC120ACXP

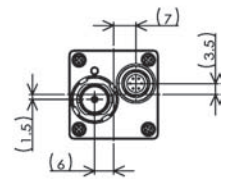
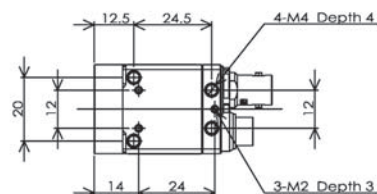
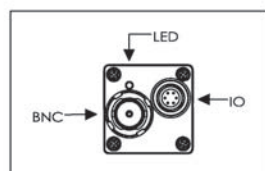
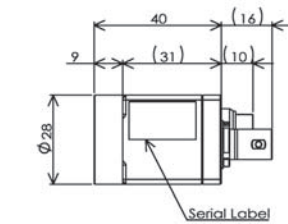
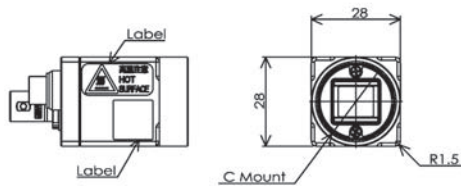
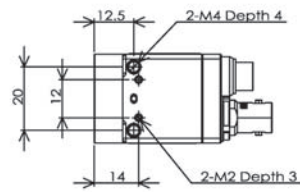
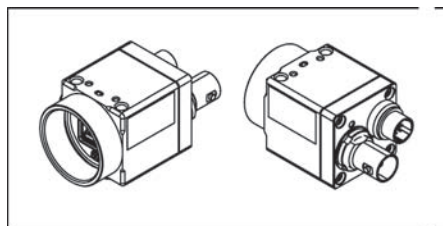


STC-CMB/CMC401CXP

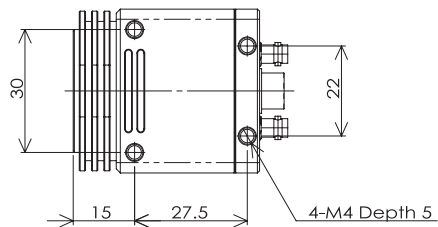
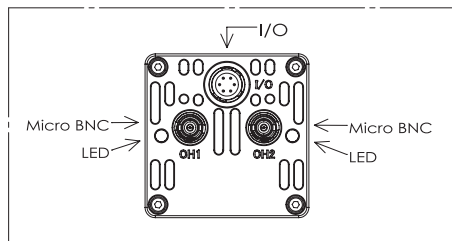
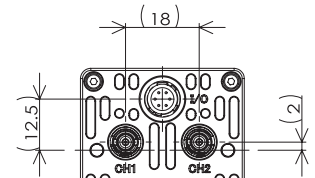
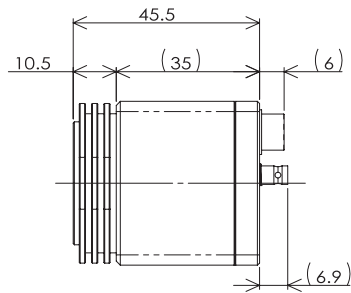
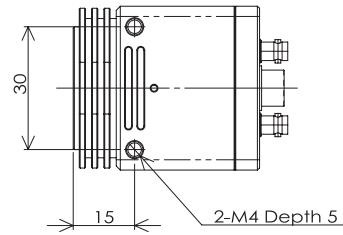
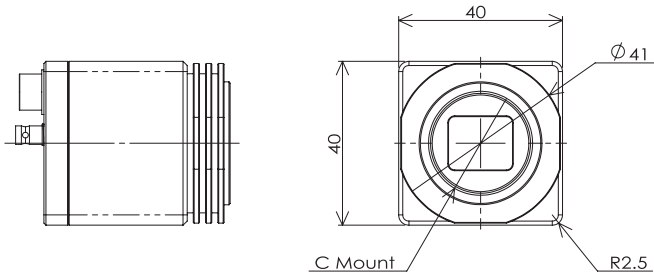
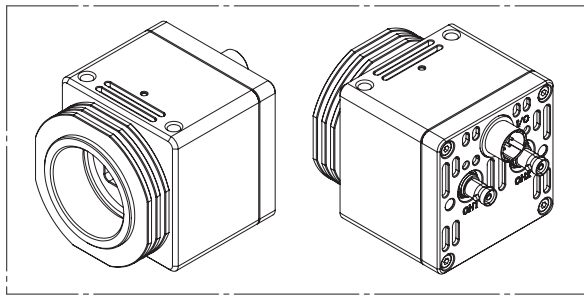


STC-MBS/MCS43CXP6
STC-MBS/MCS163CXP6
STC-MBS/MCS212CXP6
STC-MBS/MCS322CXP6

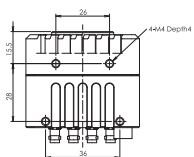
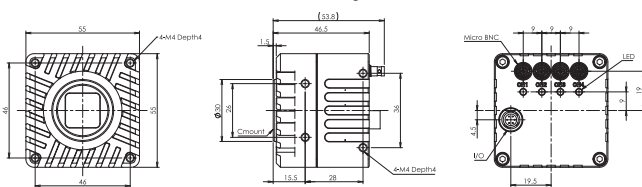
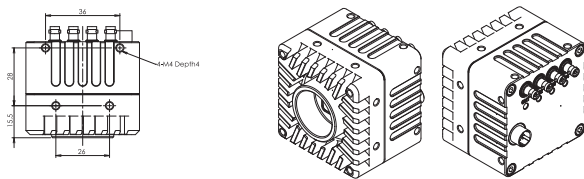
STC-MBS/MCS210CXP6
STC-MBS/MCS800CXP6
STC-MBS/MCS1221CXP6



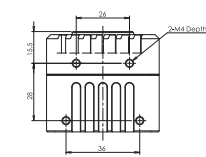
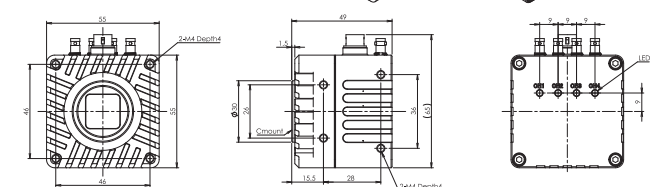
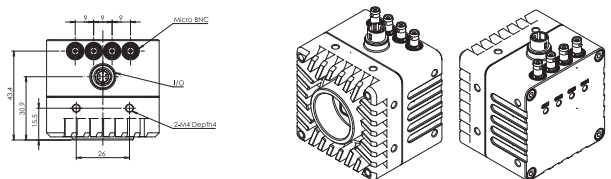
STC-SBS/SCS510CXP62
STC-SBS/SCS123BCXP62



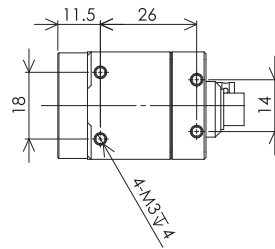
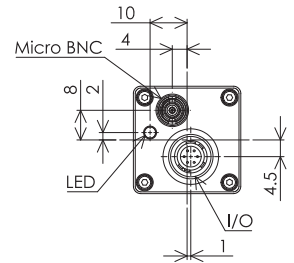
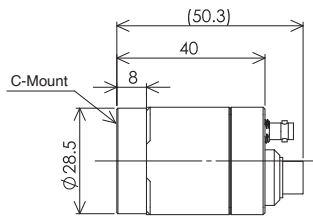
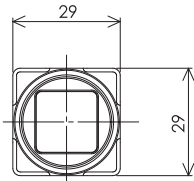
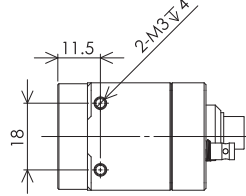
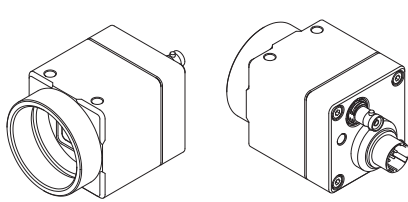
STC-LBS/LCS162BCXP124
STC-LBS/LCS204BCXP124
STC-LBS/LCS246CCXP124



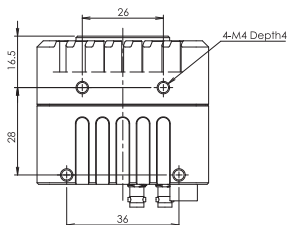
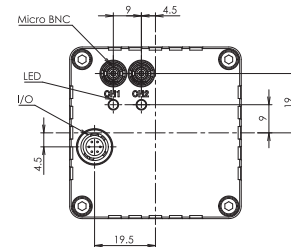
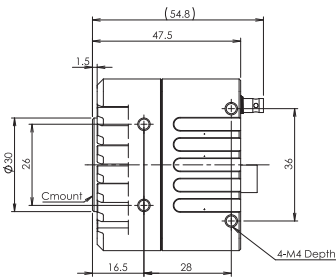
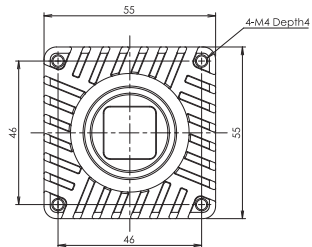
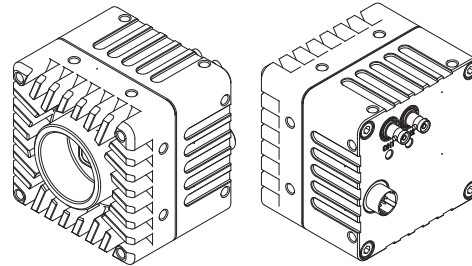
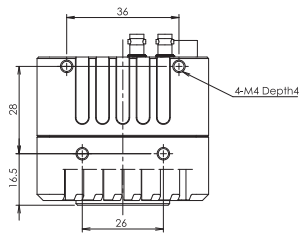
STC-LBS/LCS162BCXP124-T
STC-LBS/LCS204BCXP124-T
STC-LBS/LCS246CCXP124-T



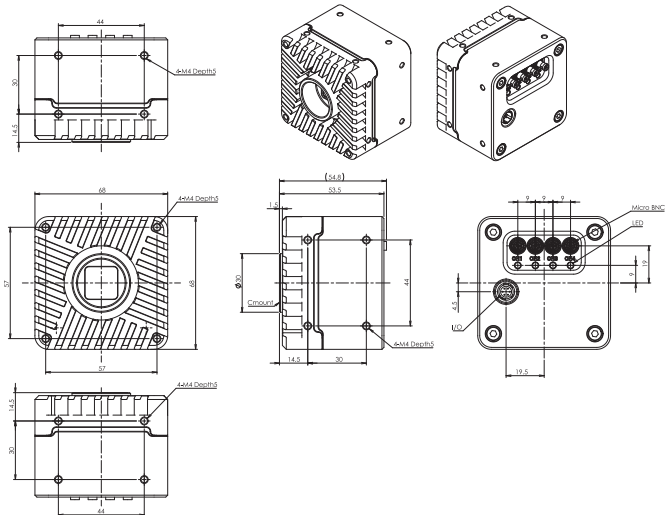
- STC-MBS/MCS510CXP121
- STC-MBS/MCS502CXP121
- STC-MBS/MCS800CXP121
- STC-MBS/MCS1221CXP121
- STC-MBS/MCS123BCXP121
- STC-MBS/MCS161BCXP121
- STC-MBS/MCS203BCXP121
- STC-MBS/MCS245CCXP121
- STC-MBS/MCS246CCXP121



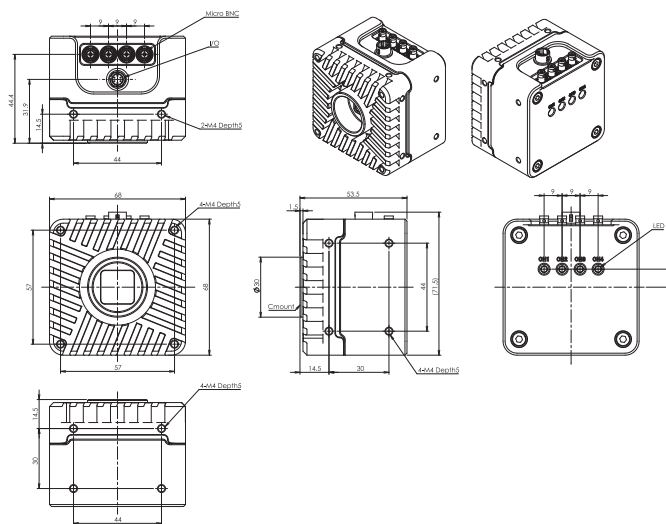
STC-LBGP/LGCP250BCXP122



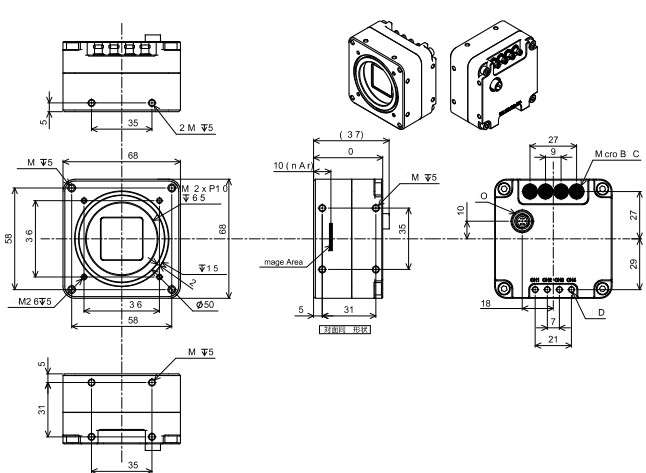
STC-LBGP251BCXP124



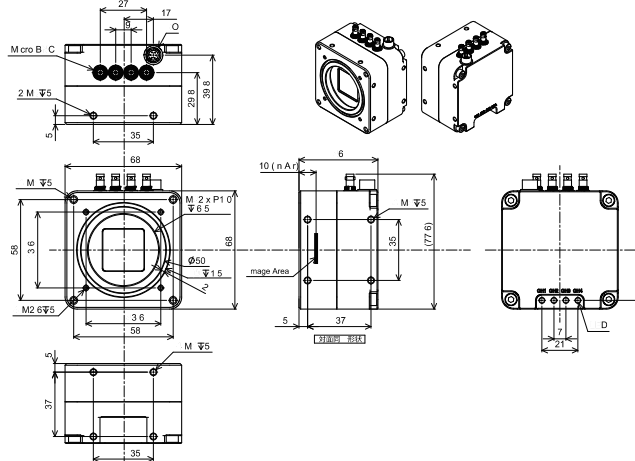
STC-LBGP251BCXP124-T



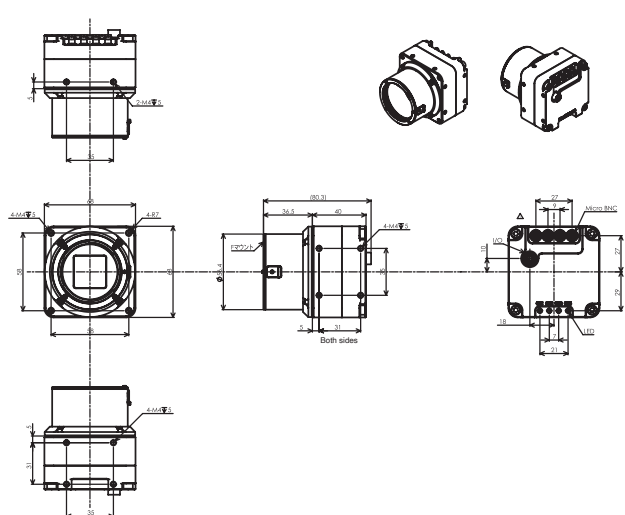
STC-LBE/LCE671FCXP124



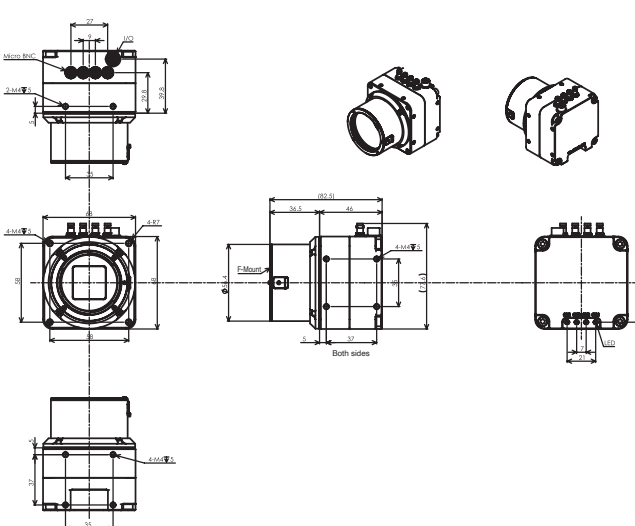
STC-LBE/LCE671FCXP124-T



STC-LBE/LCE671DCXP124-F



STC-LBE/LCE671FCXP124-T-F



Opt-C:Link



Description

High Speed Opt-C: Link

Features

Video capture resolution of 12MP@279 fps (40 Gbps models)
 Fiber-optic cable allows for noise resistance and longer cable distance

Product Line-up

Model	Monochrome/Color	Resolution	Frame Rate	Effective Pixels (H x V)	Sensor Size	Cell Size (μm)	Sensor	Lens Mount	General Specifications
STC-CMB120AOPT-F	Monochrome	12M	93.4 fps	4096 x 3072	1.76	5.5 x 5.5	CMV12000	F	External power supply, SFP+optical connector x 2
STC-CMC120AOPT-F	Color								
STC-CMB120AOPQ	Monochrome		279 fps					M42	External power supply, QSPF+optical connector x 1 40 Gbps
STC-CMC120AOPQ	Color								
STC-CMB120AOPQ-F	Monochrome								
STC-CMC120AOPQ-F	Color								

Note. Supply power via power supply and I/O cable.

Accessories

Mount Conversion Adapter		
Model	Applicable Model	General Specifications
M42-F-R	12M M42 Model	M42 P=1 FB=10 mm → F mount Conversion Adapter

Power Supply and I/O Cables	
Model	Length
FJ-VSP2 3M	3 m
FJ-VSP2 5M	5 m
FJ-VSP2 10M	10 m

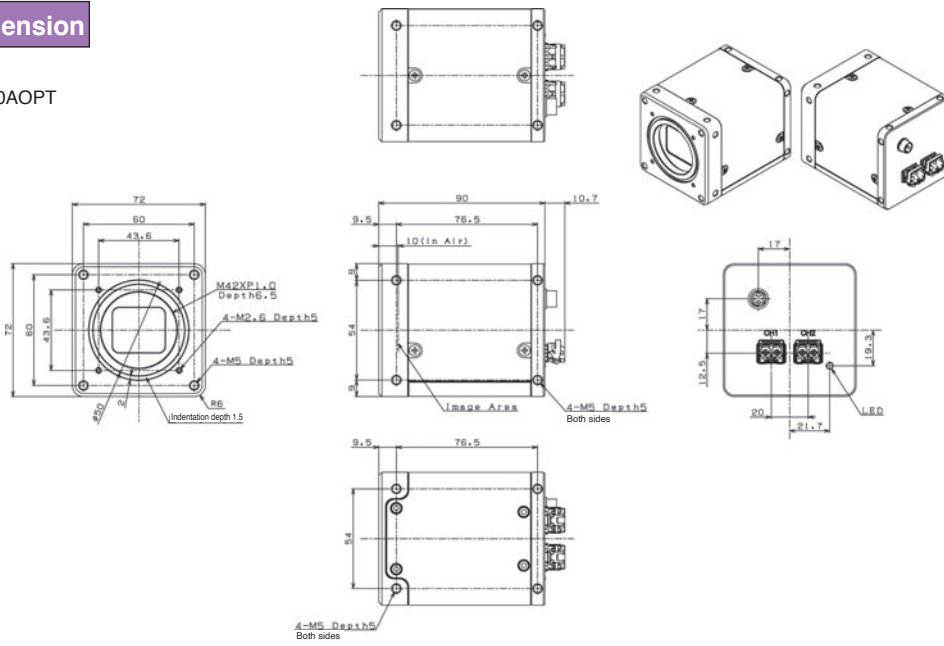
Note. Please connect the cables according to the external connector specifications prescribed in your camera's specification documents, for faulty wiring can cause failure.

Note. Do not connect the shell, for doing so can cause failure or malfunction.

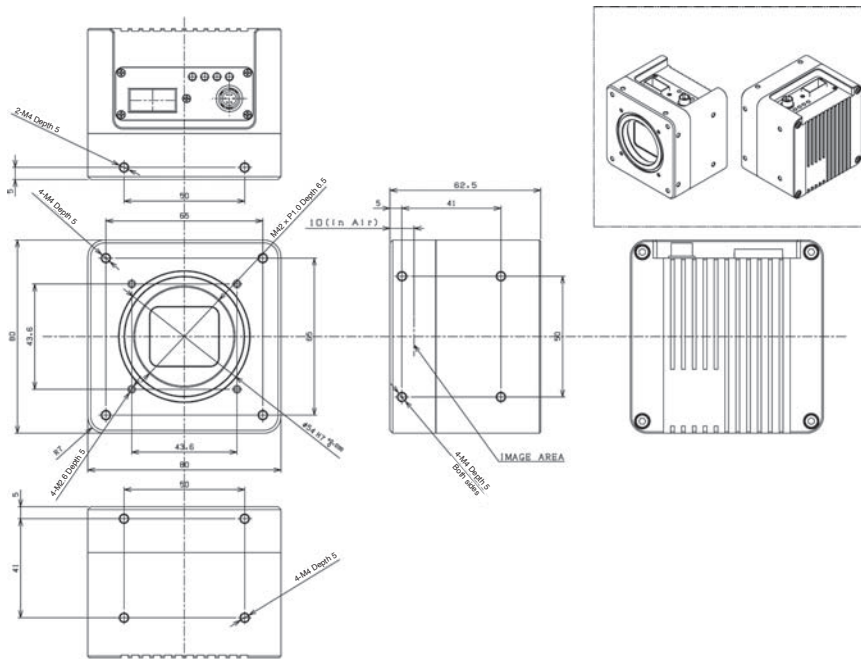
Opt-C:Link

Drawing dimension

STC-CMB/CMC120AOPT



STC-CMB(C)120AOPQ



Camera Link CMOS



Description

High Speed CMOS Camera Link Series

Features

Extensive lineup of 0.4-25 MP products

New 25 MP C-mount model with 35 mm square casing added to lineup

Compact high-resolution cameras that can be installed in small spaces

Product Line-up

Model	Monochrome/Color	Resolution	Frame Rate	Effective Pixels (H x V)	Sensor Size	Cell Size (μm)	Sensor	Lens Mount	General Specifications
STC-SPB43PCL	Monochrome	0.4M	523.6 fps	720 × 540	1/2.9	6.9 × 6.9	IMX287	C	PoCL, automatically switched, SDR connector × 1
STC-SPC43PCL	Color								
STC-SPB52PCL	Monochrome	0.5M	166.5 fps	810 × 620	1/1.7	9 × 9	IMX433	C	PoCL, automatically switched, SDR connector × 2
STC-SPC52PCL	Color								
STC-SPB163PCL	Monochrome	1.6M	155 fps	1440 × 1080	1/2.9	3.45 × 3.45	IMX273	C	PoCL, automatically switched, SDR connector × 1
STC-SPC163PCL	Color								
STC-SPB202PCL	Monochrome	2M	89.1 fps	1620 × 1240	1/1.7	4.5 × 4.5	IMX430	C	PoCL, automatically switched, SDR connector × 2
STC-SPC202PCL	Color								
STC-CMB200PCL	Monochrome	2M	333.3 fps	2048 × 1088	2/3	5.5 × 5.5	CMV2000	C	PoCL, automatically switched, SDR connector × 2
STC-CMC200PCL	Color								
STC-CMB200PCL-NIR	Monochrome NIR								
STC-SPB312PCL	Monochrome	3.1M	55.4 fps	2048 × 1536	1/1.8	3.45 × 3.45	IMX265	C	PoCL, automatically switched, SDR connector × 1
STC-SPC312PCL	Color								
STC-SPB322PCL	Monochrome	3.1M	216.2 fps	2048 × 1536	1/1.8	3.45 × 3.45	IMX252	C	PoCL, automatically switched, SDR connector × 2
STC-SPC322PCL	Color								
STC-CMB401PCL	Monochrome	4M	179.2 fps	2048 × 2048	1	5.5 × 5.5	CMV4000	C	PoCL, automatically switched, SDR connector × 2
STC-CMC401PCL	Color								
STC-CMB401PCL-NIR	Monochrome NIR								
STC-SPB500PCL	Monochrome	5M	35.7 fps	2448 × 2048	2/3	3.45 × 3.45	IMX264	C	PoCL, automatically switched, SDR connector × 1
STC-SPC500PCL	Color								
STC-SPB510PCL	Monochrome	5M	163.4 fps	2448 × 2048	2/3	3.45 × 3.45	IMX250	C	PoCL, automatically switched, SDR connector × 2
STC-SPC510PCL	Color								
STC-SPB881PCL	Monochrome	8.8M	20.6 fps	4096 × 2160	1	3.45 × 3.45	IMX267	C	PoCL, automatically switched, SDR connector × 1
STC-SPC881PCL	Color								
STC-SPB891PCL	Monochrome	8.8M	91.9 fps	4096 × 2160	1	3.45 × 3.45	IMX255	C	PoCL, automatically switched, SDR connector × 2
STC-SPC891PCL	Color								
STC-SPB122BPCL	Monochrome	12.3M	15 fps	4096 × 3000	1.1	3.45 × 3.45	IMX304	C	PoCL, automatically switched, SDR connector × 1
STC-SPC122BPCL	Color								
STC-SPB123BPCL	Monochrome	12.3M	66.9 fps	4096 × 3000	1.1	3.45 × 3.45	IMX253	C	PoCL, automatically switched, SDR connector × 2
STC-SPC123BPCL	Color								
STC-SPB161BPCL	Monochrome	16.1M	33 fps	5320 × 3032	1.1	2.74 × 2.74	IMX542	C	PoCL, automatically switched, SDR connector × 2
STC-SPC161BPCL	Color								
STC-SPB203BPCL	Monochrome	20.3M	26 fps	4504 × 4504	1.1	2.74 × 2.74	IMX541	C	PoCL, automatically switched, SDR connector × 2
STC-SPC203BPCL	Color								
STC-SPB245CPCL	Monochrome	24.5M	22 fps	5320 × 4600	1.2	2.74 × 2.74	IMX540	C	PoCL, automatically switched, SDR connector × 2
STC-SPC245CPCL	Color								

Go to the next page

Model	Monochrome/Color	Resolution	Frame Rate	Effective Pixels (H x V)	Sensor Size	Cell Size (μm)	Sensor	Lens Mount	General Specifications
STC-OSB250CL	Monochrome	25M	31.8 fps	5120 × 5120	APS-H (32.6 mm diagonal)	4.5 × 4.5	PYTHON 25K	M42	PoCL not supported SDR connector × 2
STC-OSC250CL	Color								
STC-OSB250CL-F	Monochrome							F	PoCL not supported SDR connector × 2
STC-OSC250CL-F	Color								
STC-GPB250BPCL	Monochrome	25M	30.72 fps	5120 × 5120	1.1	2.5 × 2.5	GMAX5050	C	PoCL, automatically switched, SDR connector × 2
STC-GPC250BPCL	Color								

Note. Supply power via PoCL or power supply and I/O cable.

Accessories

Mount Conversion Adapter

Model	Applicable Model	General Specifications
M42-F-R	12M, 25M M42 Model	M42 P=1 FB=10 mm □ F mount Conversion Adapter

Tripod Mount

Model	Applicable Model
TP-JQA	2M (CM*200PCL), 3.1M, 4M, 5M (SP*500/510PCL), 8.8M, 12.3M, 16.2M, 20.3M, 24.5M, 25M (GP*250BPCL)
TP-HCA	SPB/SPC43, 52, 163, 202PCL

Power Supply and I/O Cables

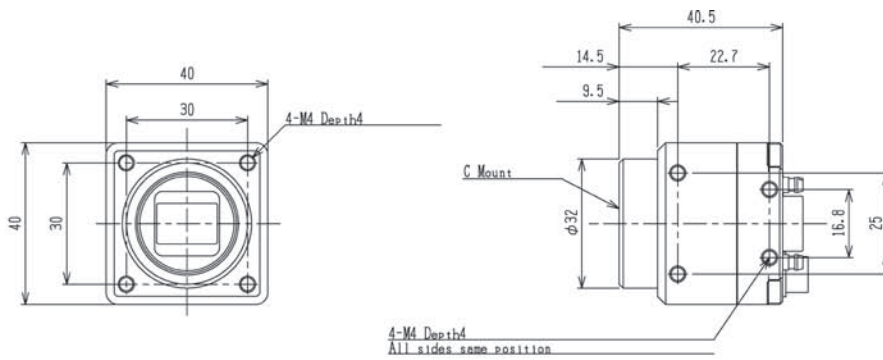
Model	Length
FJ-VSP2 3M	3 m
FJ-VSP2 5M	5 m
FJ-VSP2 10M	10 m

Note. Please connect the cables according to the external connector specifications prescribed in your camera's specification documents, for faulty wiring can cause failure.

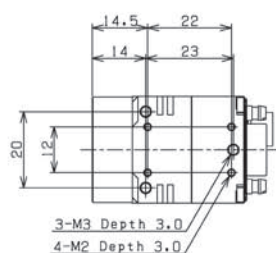
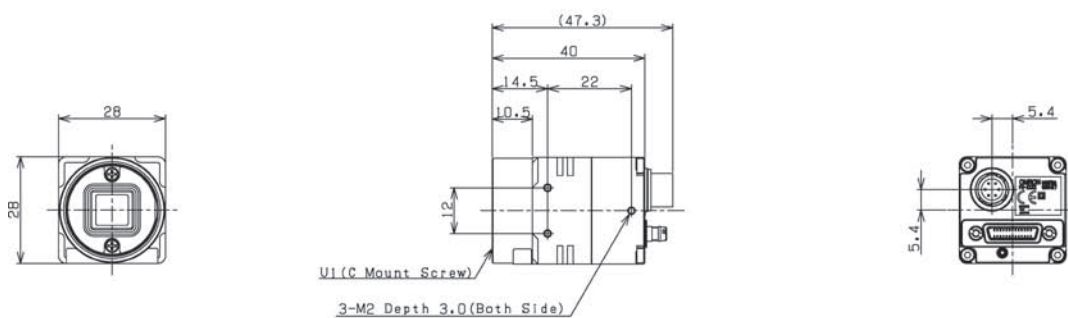
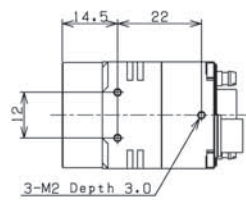
Note. Do not connect the shell, for doing so can cause failure or malfunction.

Drawing dimension

STC-CMB/CMC200PCL(-NIR)
STC-CMB/CMC401PCL(-NIR)

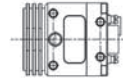
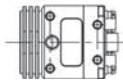
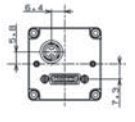
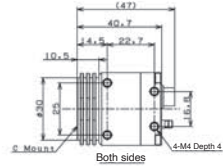
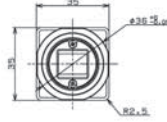
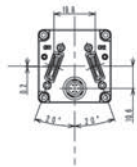
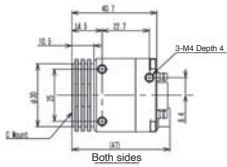
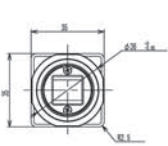
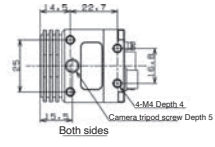
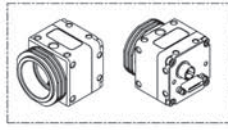
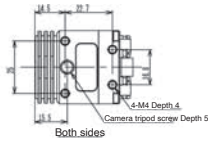
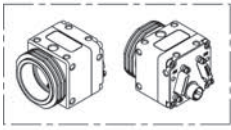


STC-SPB/SPC43PCL
STC-SPB/SPC52PCL
STC-SPB/SPC163PCL
STC-SPB/SPC202PCL



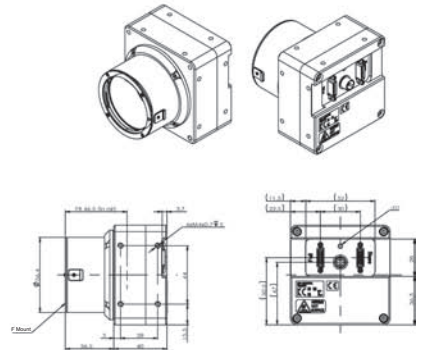
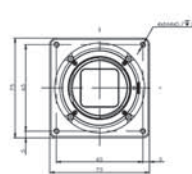
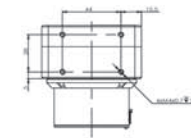
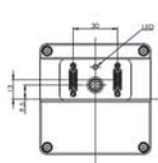
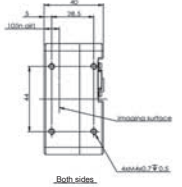
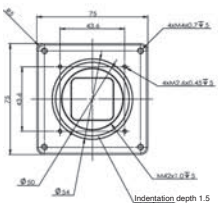
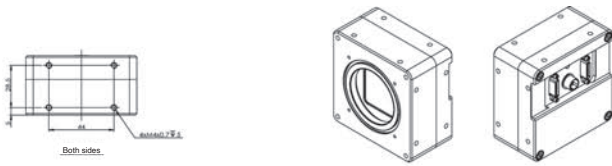
STC-SPB/SPC322PCL
 STC-SPB/SPC510PCL
 STC-SPB/SPC891PCL
 STC-SPB/SPC123BPCL
 STC-GPB/GPC250BPCL
 STC-SPB/SPC161BPCL
 STC-SPB/SPC203BPCL
 STC-SPB/SPC245CPCL

STC-SPB/SPC312PCL
 STC-SPB/SPC500PCL
 STC-SPB/SPC881PCL
 STC-SPB/SPC122BPCL



STC-OSB/OSC250CL

STC-OSB/OSC250CL-F



Camera Link

Camera Link Remote Head Camera



Description

Ultra-compact remote head Camera Link camera

Features

Remote sensor unit allows for compact head that can be installed in small spaces where installation was previously difficult

More durable cables

S-mount model with remote head connected by 2.5 m cable

Product Line-up

Model	Monochrome/Color	Resolution	Frame Rate	Effective Pixels (H x V)	Sensor Size	Cell Size (μm)	Sensor	Lens Mount	General Specifications
STC-RBS43PCL-SM12	Monochrome	0.4M	523.6 fps	720 × 540	1/2.9	6.9 × 6.9	IMX287	S	PoCL, automatically switched, SDR connector × 1 Cable from rear, cable length: 2.5 m
STC-RCS43PCL-SM12	Color								
STC-RBS43PCL-UM12	Monochrome								
STC-RCS43PCL-UM12	Color								
STC-RBS163PCL-SM12	Monochrome	1.6M	236.3 fps	1440 × 1080	1/2.9	3.45 × 3.45	IMX273	S	
STC-RCS163PCL-SM12	Color								
STC-RBS163PCL-UM12	Monochrome								
STC-RCS163PCL-UM12	Color								

Note. Supply power via PoCL or power supply and I/O cable.

Accessories

Power Supply and I/O Cables	
Model	Length
FJ-VSP2 3M	3 m
FJ-VSP2 5M	5 m
FJ-VSP2 10M	10 m

Note. Please connect the cables according to the external connector specifications prescribed in your camera's specification documents, for faulty wiring can cause failure.

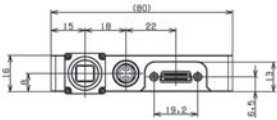
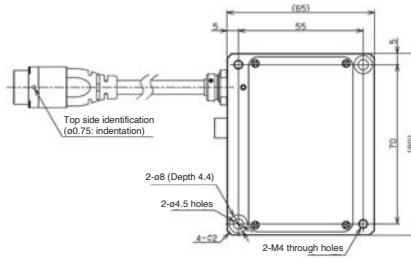
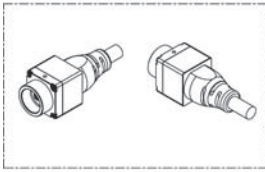
Note. Do not connect the shell, for doing so can cause failure or malfunction.

S-Mount (M12 P0.5) Lens

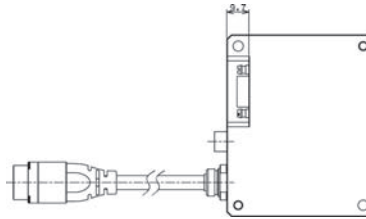
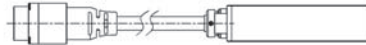
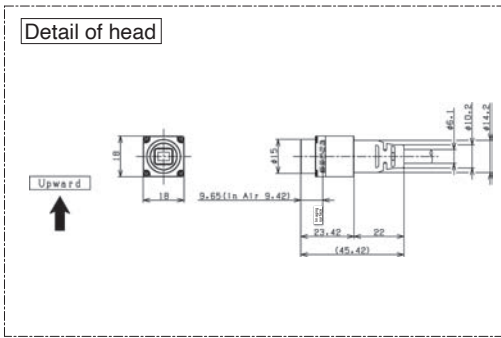
Model	Applicable Model	General Specifications
CV0205C	S-mount models	f = 2.5 mm, 1/3", F2.0, 5 MP resolution
KVAB009		Lens fixing washer

Drawing dimension

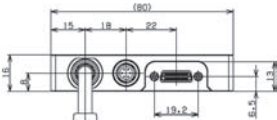
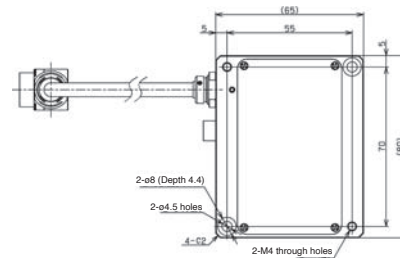
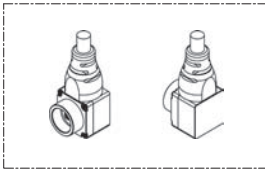
STC-RBS/RCS43PCL-SM12
STC-RBS/RCS163PCL-SM12



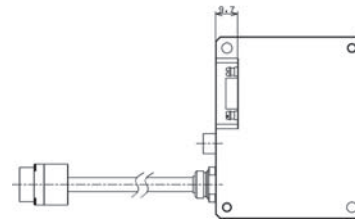
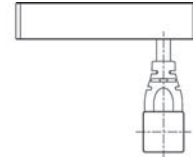
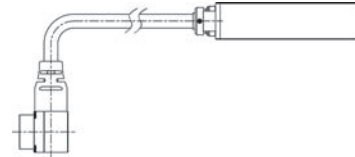
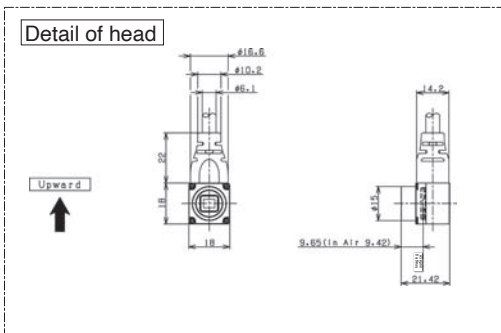
Upward
↑



STC-RBS/RCS43PCL-UM12
STC-RBS/RCS163PCL-UM12



Upward
↑



Camera Link Line Scanning Camera



Description

Camera Link Line Scanning Camera

Features

2K-16K models with high-speed CMOS sensor
 A rich assortment of features including FFC and ROI;
 compact case designed for easy installation
 Equipped with MDR Camera Link connector

Product Line-up

Model	Monochrome/Color	Resolution	Line Rate	Pixel size	Sensor Type	Lens Mount	
FS-B2KU7CLU-C	Monochrome	2K	80 kHz	7 μm	Single	C	
FS-B2KU7CLU-F						F	
FS-B2KU7CLU-M42						M42	
FS-B4KU7CLU-F		4K		7 μm	Single	F	
FS-B4KU7CLU-M42						M42	
FS-B8KU7CLU-M72		8K		7 μm	Single	M72	
FS-B8KU35CLU-F						F	
FS-B8KU35CLU-M42						M42	
FS-B16KU35CLU-M72		16K		40 kHz	3.5 μm	Single	M72
FS-B2KU7DCLU-C		Color		2K	160 kHz	7 μm	Dual
FS-B2KU7DCLU-F	F						
FS-B2KU7DCLU-M42	M42						
FS-B8KU7DCLU-M72	8K		80 kHz	7 μm		Dual	M72
FS-C4KU7DCLU-F	4K		80 kHz	7 μm		Dual	F
FS-C4KU7DCLU-M42							M42
FS-C8KU7DCLU-M72	8K	40.5 kHz	7 μm	Dual	M72		

*. Supply power via power supply and I/O cable (PoCL not supported).

Accessories

Power Supply and I/O Cables

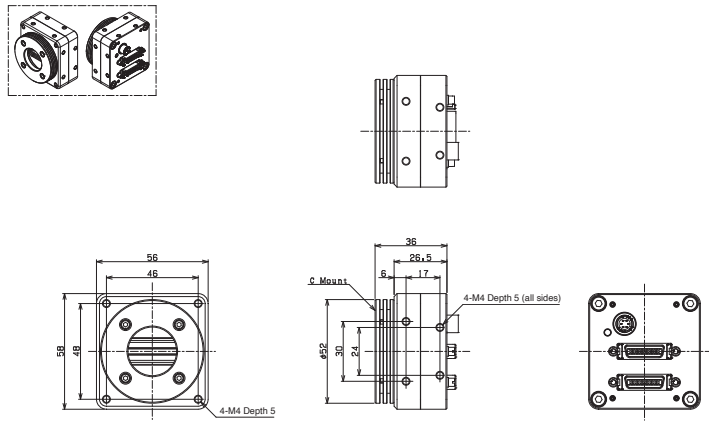
Model	Length
FJ-VSP2 3M	3 m
FJ-VSP2 5M	5 m
FJ-VSP2 10M	10 m

Note. Please connect the cables according to the external connector specifications prescribed in your camera's specification documents, for faulty wiring can cause failure.

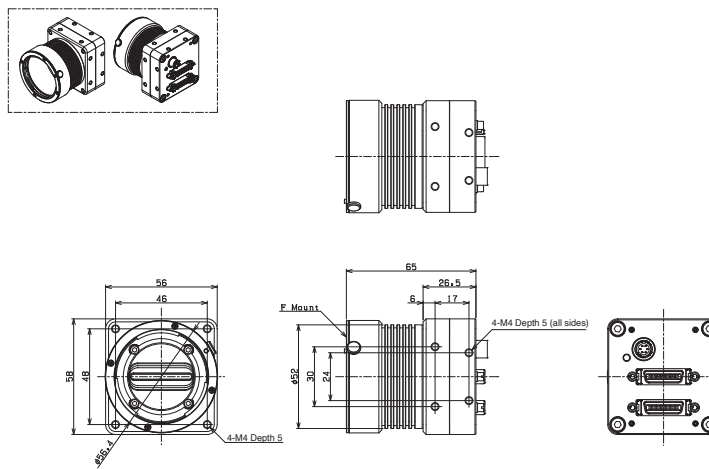
Note. Do not connect the shell, for doing so can cause failure or malfunction.

Drawing dimension

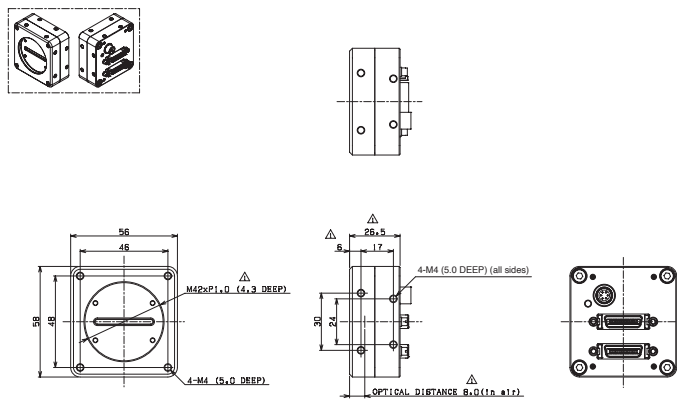
C Mount (2K/4K)



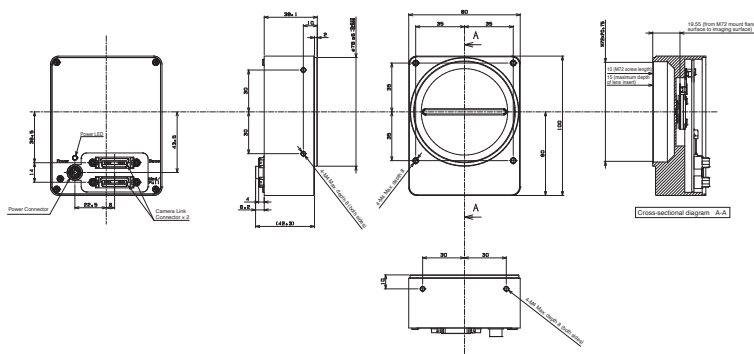
F Mount (2K/4K/8K)



M42 Mount (2K/4K/8K)



M72 Mount (8K/16K)



SWIR Camera



Description

Wide-band SWIR camera

Features

Equipped with IMX991 or IMX990 with sensitivity of 400 to 1,700 nm. There are models with a Peltier device that have anti-heat generation to provide reliable image quality in any environment and those without a Peltier device that can downsize the camera body. Both are available with GigE Vision, USB3 Vision, and Camera Link interfaces.

Product Line-up

With Peltier Device										
Model	Capable bandwidth	Monochrome/Color	Resolution	Frame Rate	Effective Pixels (H x V)	Sensor Size	Cell Size (μm)	Sensor	Lens Mount	General Specifications
STC-LBS34POE-SWIR	400 - 1,700 nm	Monochrome	0.3M	242 fps	640 x 512	1/4	5 x 5	IMX991	C	GigE Vision PoE supported
STC-LBS132POE-SWIR		Monochrome	1.3M	84 fps	1280 x 1024	1/2		IMX990		GigE Vision PoE supported
STC-LBS34CL-SWIR	400 - 1,700 nm	Monochrome	0.3M	258 fps	640 x 512	1/4		IMX991		CameraLink PoCL not supported
STC-LBS132CL-SWIR		Monochrome	1.3M	134 fps	1280 x 1024	1/2		IMX990		CameraLink PoCL not supported
STC-LBS34U3V-SWIR	400 - 1,700 nm	Monochrome	0.3M	260 fps	640 x 512	1/4		IMX991		USB3 Vision
STC-LBS132U3V-SWIR		Monochrome	1.3M	134 fps	1280 x 1024	1/2		IMX990		USB3 Vision

Note. Supply power to GigE Vision model via PoE or power supply and I/O cable. PoE NIC or Ethernet switch separately needed to supply power via PoE.
 Note. Supply power to Camera Link or USB3 Vision model via power supply and I/O cable.

Without Peltier Device										
Model	Capable bandwidth	Monochrome/Color	Resolution	Frame Rate	Effective Pixels (H x V)	Sensor Size	Cell Size (μm)	Sensor	Lens Mount	General Specifications
STC-SBS34POE-SWIRU *	400 - 1,700 nm	Monochrome	0.3M	242 fps	640 x 512	1/4	5 x 5	IMX991	C	GigE Vision PoE supported
STC-SBS132POE-SWIRU *		Monochrome	1.3M	84 fps	1280 x 1024	1/2		IMX990		GigE Vision PoE supported
STC-SBS34PCL-SWIRU *	400 - 1,700 nm	Monochrome	0.3M	258 fps	640 x 512	1/4		IMX991		CameraLink PoCL not supported Base model
STC-SBS132PCL-SWIRU *		Monochrome	1.3M	134.7 fps	1280 x 1024	1/2		IMX990		CameraLink PoCL not supported Base model
STC-SBS34U3V-SWIRU *	400 - 1,700 nm	Monochrome	0.3M	260 fps	640 x 512	1/4		IMX991		USB3 Vision
STC-SBS132U3V-SWIRU *		Monochrome	1.3M	134 fps	1280 x 1024	1/2		IMX990		USB3 Vision

* Coming soon.

SWIR

Accessories

Screw-Fastened GigE Cables		
Model	Length	Cable Type
CAB-GE-02-RBH	2 m	Bending resistance cables
CAB-GE-03-RBH	3 m	
CAB-GE-05-RBH	5 m	
CAB-GE-10-RBH	10 m	
CAB-GE-20-RBH	20 m	
CAB-GE-40-RBH	40 m	
CAB-GE-02-RBX	2 m	Super bending resistance cables
CAB-GE-03-RBX	3 m	
CAB-GE-05-RBX	5 m	
CAB-GE-10-RBX	10 m	
CAB-GE-20-RBX	20 m	
CAB-GE-40-RBX	40 m	

Power Supply and I/O Cables	
Model	Length
FJ-VSP2 3M	3 m
FJ-VSP2 5M	5 m
FJ-VSP2 10M	10 m

Note. Please connect the cables according to the external connector specifications prescribed in your camera's specification documents, for faulty wiring can cause failure.

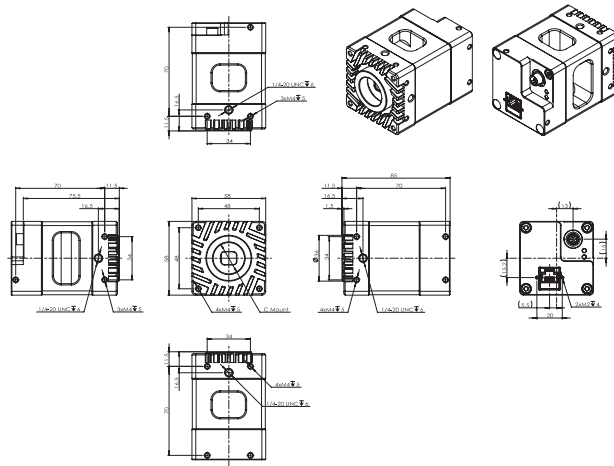
Note. Connect the shell of the GigE Vision model to FG. Do not connect the shell of the Camera Link or USB3 Vision model. Doing so can cause failure or malfunction.

USB 3.0 Cables (USB 3.0 Micro-B, with Camera-Side Fastening Screws)		
Model	Length	Cable Type
CAB-USB3-02	2 m	Normal
CAB-USB3-03	3.5 m	
CAB-USB3-05	5 m	
CAB-USB3-07	7 m	
CAB-USB3-10	10 m	Normal high-transmission cables
CAB-USB3-02-RB	2 m	Robot cables
CAB-USB3-03-RB	3.5 m	
CAB-USB3-05-RB	5 m	
CAB-USB3-07-RB	7 m	

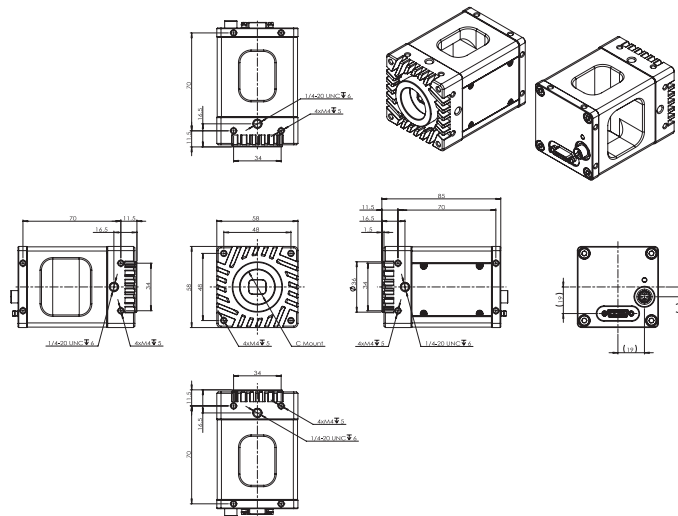
Note. Please make sure in advance that USB 3.0 cables operate correctly under your environment.

Drawing dimension

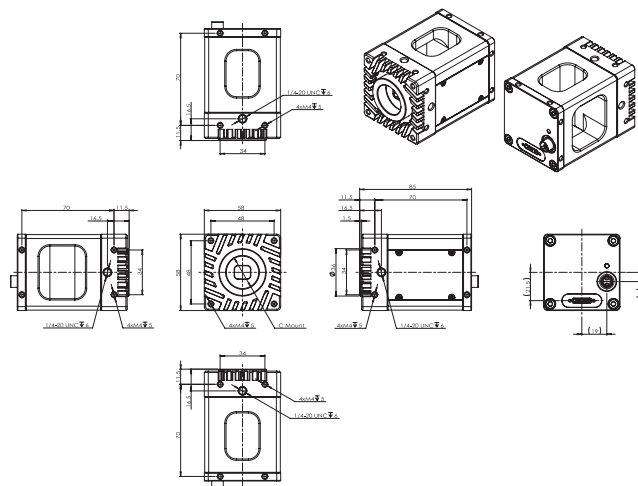
With Peltier Device
GigE Vision



With Peltier Device
Camera Link



With Peltier Device
USB3 Vision

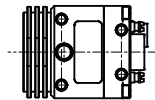
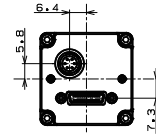
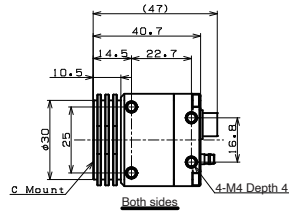
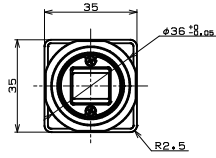
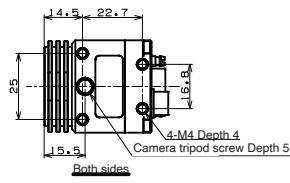
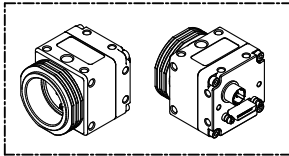


Without Peltier Device

CameraLink PoCL Base model

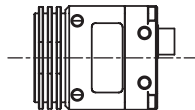
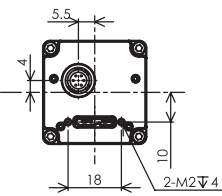
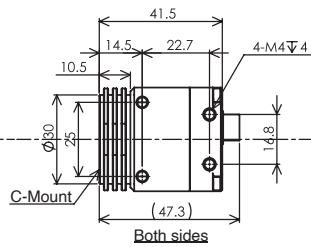
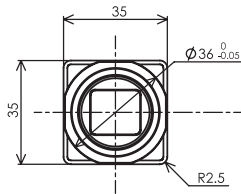
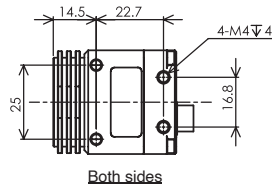
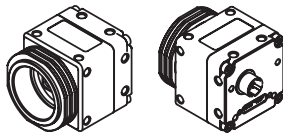
STC-SBS34PCL-SWIR-U

STC-SBS132PCL-SWIR-U

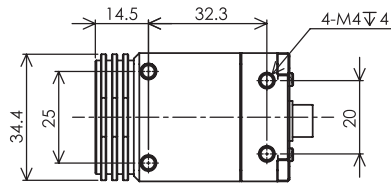
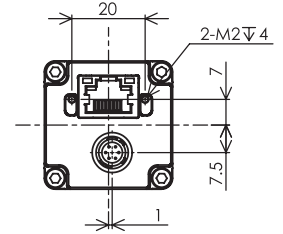
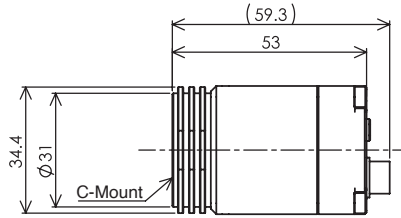
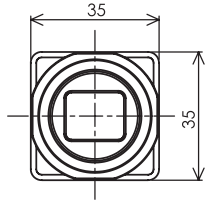
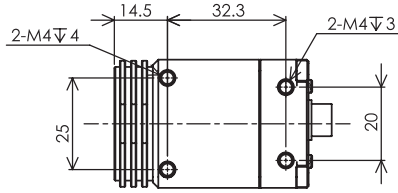
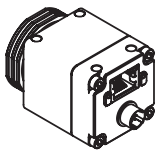
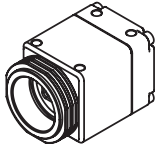


Without Peltier Device

USB3 Vision model



Without Peltier Device
GigE Vision model



RGB Prism Spectroscopic 3CMOS Camera **NEW**



Description

5.1 Mpix camera with three CMOS chips

Features

RGB prism spectrography adopted
 5.1 Mpix resolution and CoaXPress interface
 Area scan camera with high color reproducibility including improved wavelength resolution and color saturation

Product Line-up

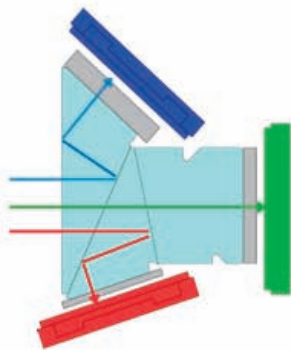
Model	Monochrome/Color	Resolution	Frame Rate	Effective Pixels (H x V)	Sensor Size	Cell Size (μm)	Sensor	Lens Mount	General Specifications
STC-ST5502CXP122*	Color (3CMOS Prism RGB)	5M	109.2 fps	2448 x 2048	1/1.8	2.74 x 2.74	IMX548	C	PoCXP, 2-lane CXP12

*. Coming soon.

Accessories

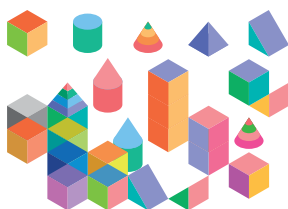
Power Supply and I/O Cables	
Model	Length
FJ-VSP2 3M	3 m
FJ-VSP2 5M	5 m
FJ-VSP2 10M	10 m

Principle of prism spectrography



The blue component is reflected by the first prism (wavelength selection) and then totally reflected before entering the image sensor.
 The red component is reflected by the second prism and then totally reflected before entering the image sensor.
 The remaining light, which is the green component, enters the image sensor.

RGB Color System

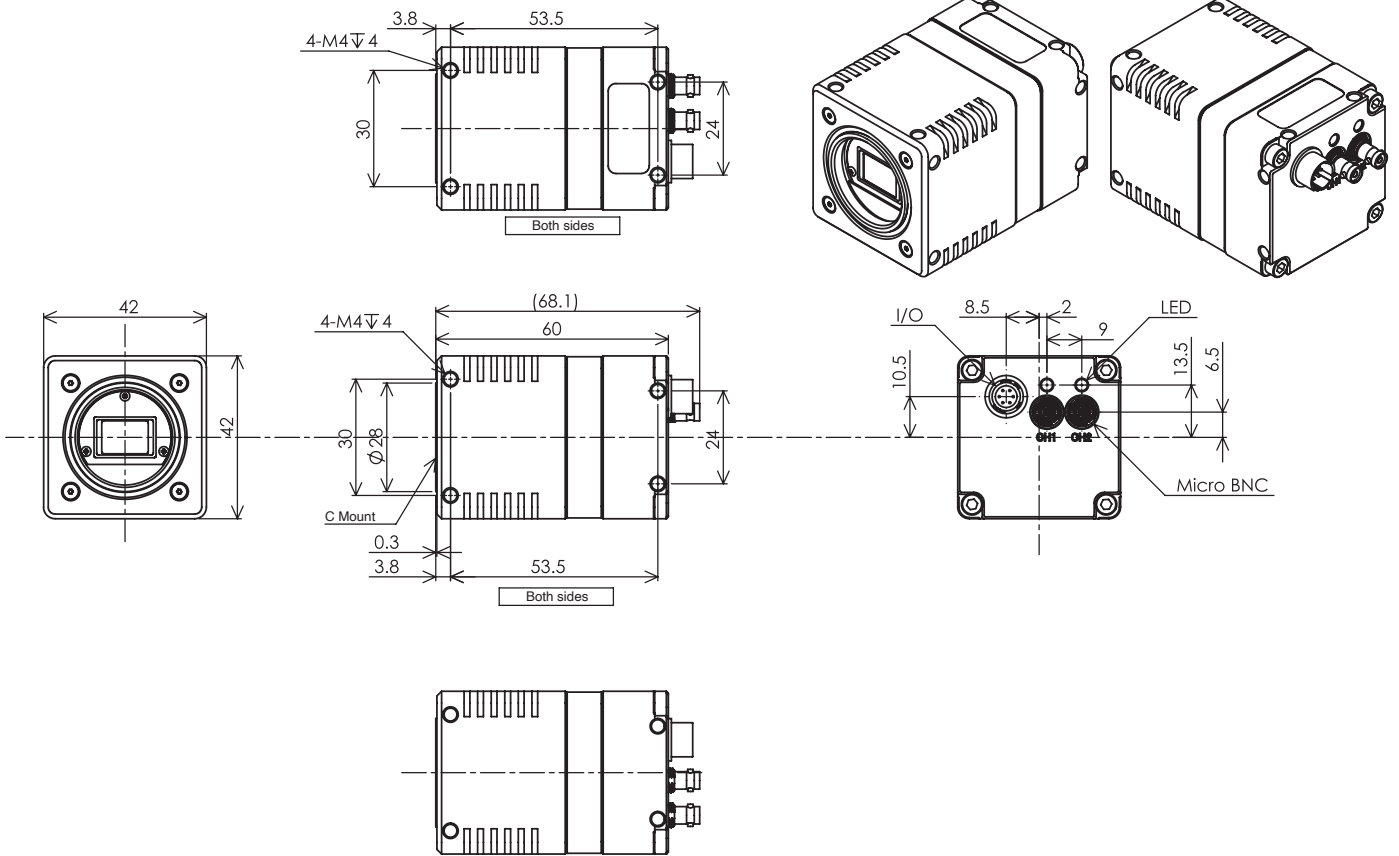


R, G, and B are independently imaged with monochrome sensors, delivering improved noise resistance compared with Bayer sensor cameras.
 No need for RGB conversion from Bayer
 Features can be controlled for R, G, and B independently

3CMOS

Drawing dimension

STC-ST502CXP122



HD High-Definition Camera



Description

DVI Output Color Camera

Features

- Connect directly to monitor with HDMI connector to build observing system without PC
- Use of optional remote unit enables crosshair and shadow masks to be displayed on screen
- Power input socket equipped with connector lock mechanism to keep power cable firmly in place (supported connector required)
- Two types of models available: standard models with memory and models without memory

Product Line-up

Model	Monochrome/Color	Resolution	Frame Rate	Effective Pixels (H x V)	Sensor Size	Cell Size (µm)	Sensor	Lens Mount	General Specifications
STC-HD213DV	Color	1080P/1080i	60 fps	1920 x 1080	1/2.8	2.9 x 2.9	IMX291	C	With memory
STC-HD213DV-CS								CS	
STC-HD213DVN	Color	1080P/1080i	60 fps	1920 x 1080	1/2.8	2.9 x 2.9	IMX291	C	No memory
STC-HD213DVN-B								C	
STC-HD213DVN-CS								CS	

Accessories

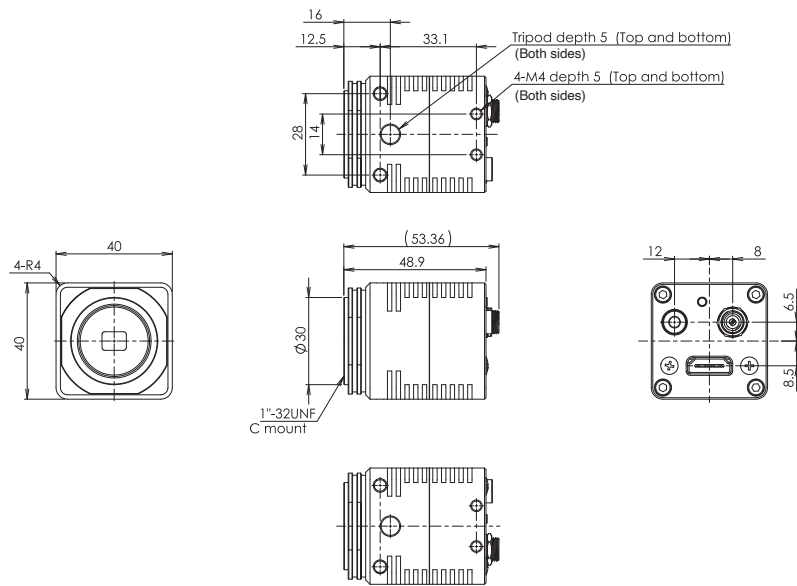
Mount Conversion Adapter		
Model	Applicable Model	General Specifications
CS-C-R	CS Mount Series	

Remote Control Unit		
Model	Applicable Model	General Specifications
RC-HD133	HDMI/DVI/SDI	ø3.5 stereo pin jack

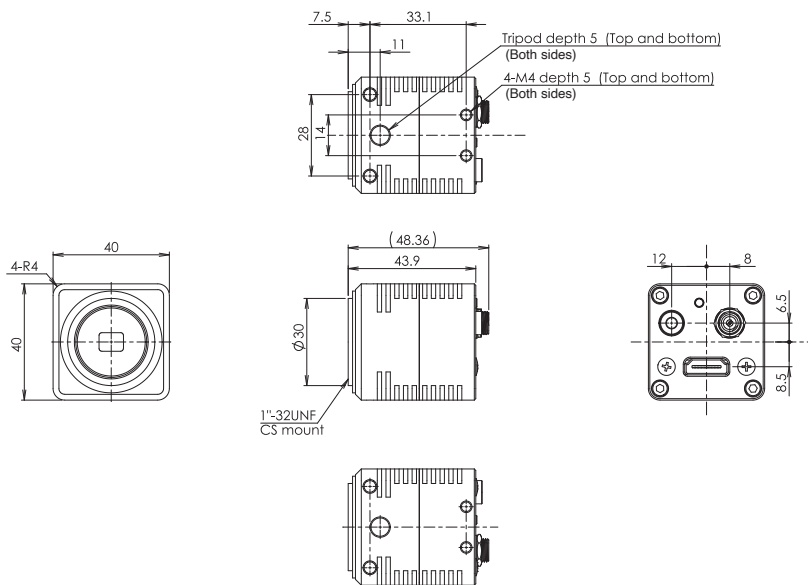
HDMI/DVI/SDI

Drawing dimension

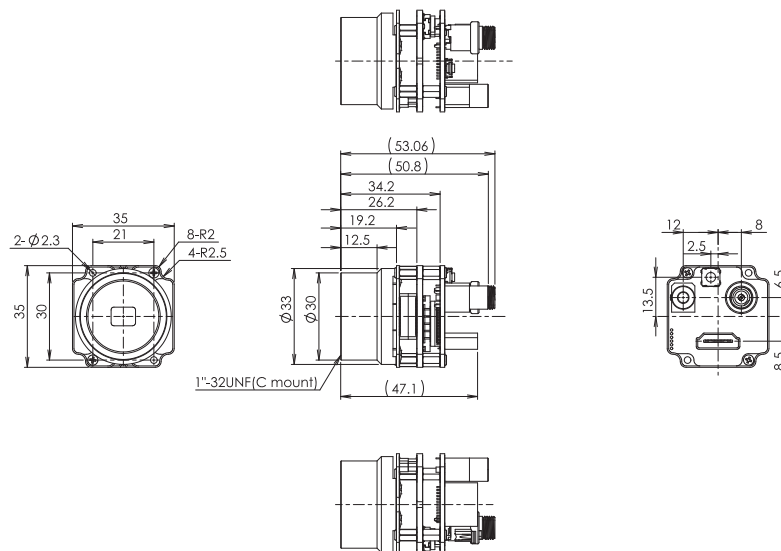
STC-HD213DV
STC-HD213DVN



STC-HD213DV-CS
STC-HD213DVN-CS



STC-HD213DVN-B



HD-SDI HD Camera



Description

HD-SDI Output Color Camera

Features

- Connect directly to monitor with versatile BNC connector
- Suitable for long distance image transmission
- Use of optional remote unit enables crosshair and shadow masks to be displayed on screen
- Power input socket equipped with connector lock mechanism to keep power cable firmly in place (supported connector required)
- Two types of models available: standard models with memory and models without memory

Product Line-up

Model	Monochrome/Color	Resolution	Frame Rate	Effective Pixels (H x V)	Sensor Size	Cell Size (µm)	Sensor	Lens Mount	General Specifications
STC-HD213SDI	Color	1080P/1080i	60 fps	1920 x 1080	1/2.8	2.9 x 2.9	IMX291	C	With memory
STC-HD213SDI-CS								CS	
STC-HD213SDIN	Color	1080P/1080i	60 fps	1920 x 1080	1/2.8	2.9 x 2.9	IMX291	C	No memory
STC-HD213SDIN-B								C	
STC-HD213SDIN-CS								CS	

Accessories

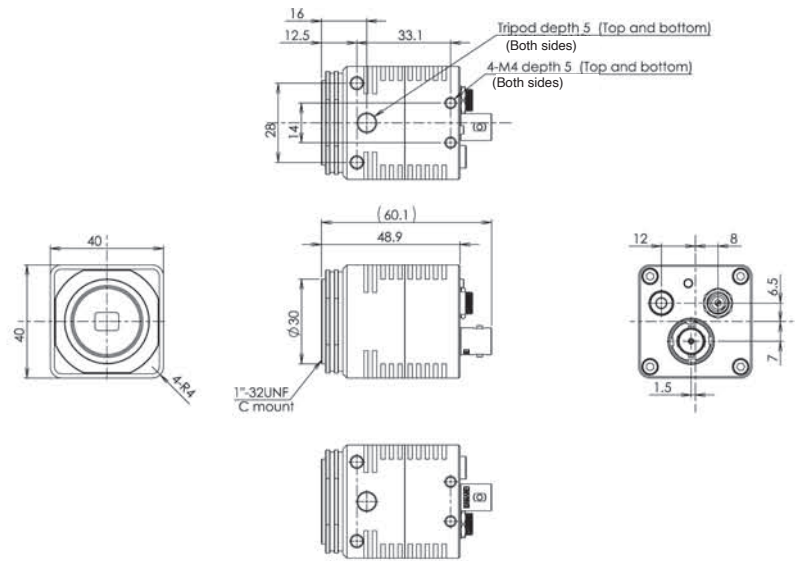
Mount Conversion Adapter		
Model	Applicable Model	General Specifications
CS-C-R	CS Mount Series	

Remote Control Unit		
Model	Applicable Model	General Specifications
RC-HD133	HDMI/DVI/SDI	ø3.5 stereo pin jack

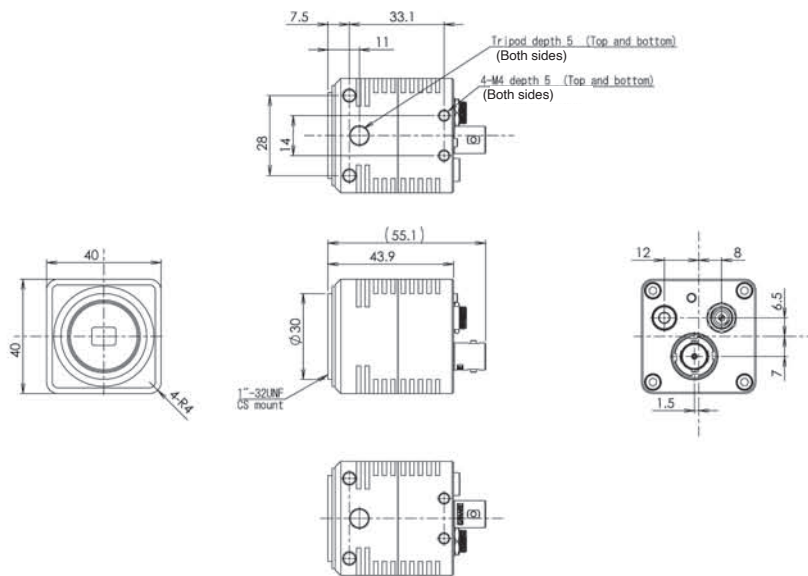
HDMI/DVI/SDI

Drawing dimension

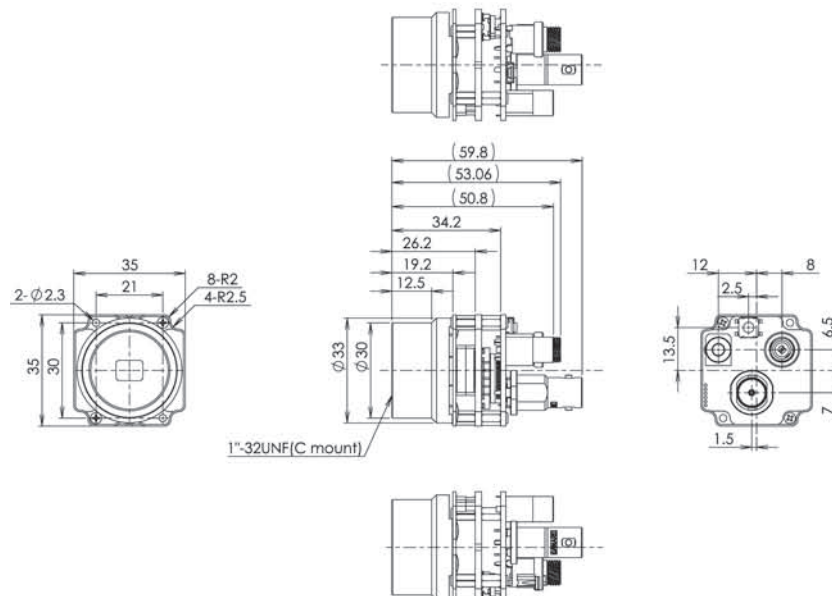
STC-HD213SDI
STC-HD213SDIN



STC-HD213SDI-CS
STC-HD213SDIN-CS



STC-HD213SDIN-B



TV Format Color Camera S133N-B Series



Description

1/3.2" 0.65 Mpix TV format color CMOS camera

Features

DC jack type and terminal block type for power input
Equipped with gain, shutter, color adjustment and many other features, whose settings can be adjusted on-screen using the OSCD (On Screen Character Display) function

Product Line-up

Model	Monochrome/Color	Resolution	Video Format	Effective Pixels (H × V)	Sensor Size	Cell Size (μm)	Sensor	Lens Mount
STC-S133N-B*	Color	0.65M	NTSC	1280 × 960	1/3.2	3.5 × 3.5	ISX017	CS
STC-S133P-B*			PAL	1280 × 924				

* Select a model from the Line-up list below when ordering.

* Effective Pixels: Display size differs from effective pixels since image will be compressed according to the signal system.

Accessories

Mount Conversion Adapter		
Model	Applicable Model	General Specifications
CS-C-R	CS Mount Series	CS mount → C mount conversion adapter

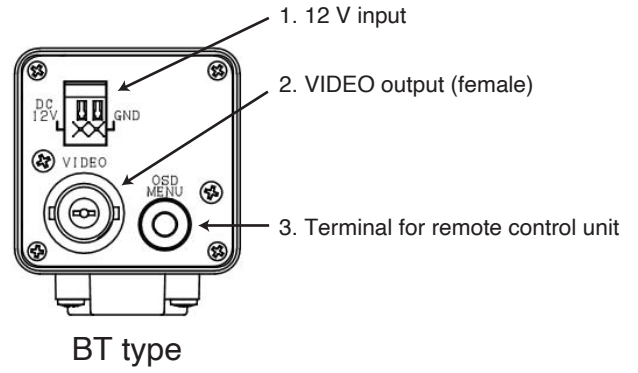
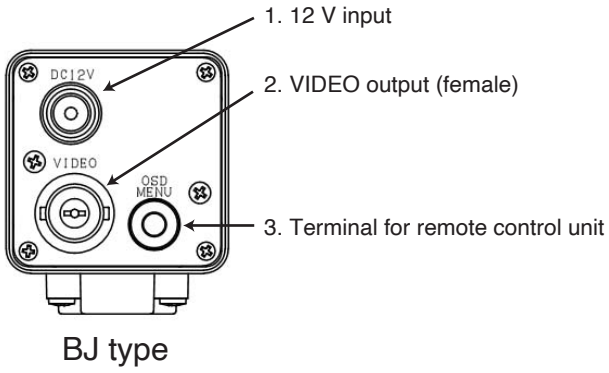
Remote Control Unit		
Model	Applicable Model	General Specifications
RC-S133B	S133N-B Series	

Line-up

Model	Monochrome/Color	Sensor Size	Lens Mount	Video Format	General Specifications
STC-S133N-BJ	Color	1/3.2	CS	NTSC	Case, output: BNC
STC-S133P-BJ				PAL	
STC-S133N-BT				NTSC	
STC-S133P-BT				PAL	

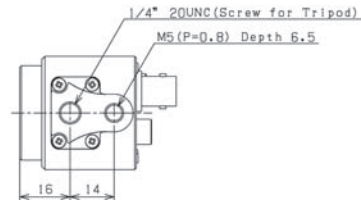
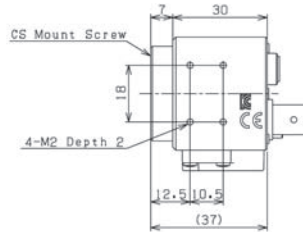
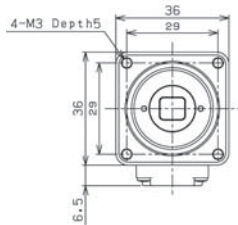
Drawing dimension

[External Connector Specification]

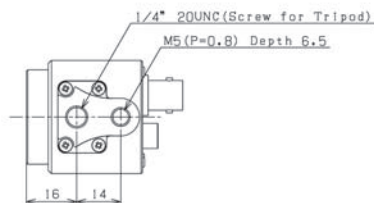
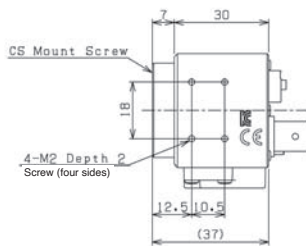
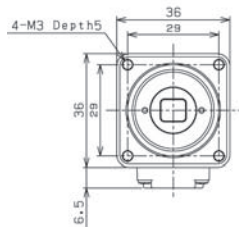


[Drawing dimension]

BJ type



BT type



Small Board Camera STC-S133 Series



Description

Small Board Camera

Features

Compact and lightweight camera for integration into machines
 Equipped with high-sensitivity sensors
 Users can select TV format, UVC (USB 3.0), or MIPI according to their operating environment

Product Line-up

Model	Monochrome/Color	Resolution	Effective Pixels (H x V)	Sensor Size	Cell Size (μm)	Sensor	Interface					
STC-S133N-**	Color	0.65M	1280 x 960	1/3.2	3.5 x 3.5	ISX017	TV Format					
STC-S133P-**			1280 x 924				USB3.0 (UVC)					
STC-S133UVC-**		1.3M	1280 x 960				MIPI					
STC-S133MIP-**							2M	1920 x 1080	1/2.9	2.8 x 2.8	PV4209K	USB3.0 (UVC)
STC-P213UVC-**												

* Select a model from the Line-up list below when ordering.

* Effective Pixels: Display size differs from effective pixels since image will be compressed according to the signal system.

Line-up

TV Format (NTSC/PAL)							
Model	Monochrome/Color	Frame Rate	Sensor Size	Lens Mount	General Specifications		
STC-S133N	Color	30 fps	1/3.2	---	DPF, Board, Base (without lens mount)		
STC-S133P		25 fps		---	DPF, Board, Base (without lens mount)		
STC-S133N-NF		30 fps		---	Board, Base (without lens mount), No filter		
STC-S133P-NF		25 fps		---	Board, Base (without lens mount), No filter		
STC-S133N-L		30 fps		S	DPF, Board, S Mount		
STC-S133N-LS		30 fps		S	DPF, Board, S Mount, Lens fixing washer		
STC-S133P-L		25 fps		S	DPF, Board, S Mount		
STC-S133N-CS		30 fps		CS	DPF, Board, CS Mount		
STC-S133P-CS		25 fps		CS	DPF, Board, CS Mount		
STC-S133N-I		30 fps		---	IRCF, Board, Base (without lens mount)		
STC-S133P-I		25 fps		---	IRCF, Board, Base (without lens mount)		
STC-S133N-IL		30 fps		S	IRCF, Board, S Mount		
STC-S133P-IL		25 fps		S	IRCF, Board, S Mount		
STC-S133N-ICS		30 fps		CS	IRCF, Board, CS Mount		
STC-S133P-ICS		25 fps		CS	IRCF, Board, CS Mount		
STC-S133N-ILS		30 fps		S	IRCF, Board, S Mount, Lens fixing washer		
STC-S133N-AL		30 fps		S	DPF, Case, S Mount		
STC-S133P-AL		25 fps		S	DPF, Case, S Mount		
STC-S133N-ACS		30 fps		CS	DPF, Case, CS Mount		
STC-S133P-ACS		25 fps		CS	DPF, Case, CS Mount		
STC-S133N-IAL		30 fps		S	IRCF, Case, S Mount		
STC-S133P-IAL		25 fps		S	IRCF, Case, S Mount		
STC-S133N-IACS		30 fps		CS	IRCF, Case, CS Mount		
STC-S133P-IACS		25 fps		CS	IRCF, Case, CS Mount		

Note: DPF: Dual Pass Filter, IRCF: IR Cut Filter

Go to the next page

USB3.0 (UVC)								
Model	Monochrome/Color	Frame Rate	Sensor Size	Lens Mount	General Specifications			
STC-S133UVC-BL	Color	60 fps	1/3.2	---	IRCF, Board, Base (without lens mount), Connector from bottom			
STC-S133UVC-BLL				S	IRCF, Board, S Mount, Connector from bottom			
STC-S133UVC-BLCS				CS	IRCF, Board, CS Mount, Connector from bottom			
STC-S133UVC-DBL				---	DPF, Board, Base (without lens mount), Connector from bottom			
STC-S133UVC-DBLL				S	DPF, Board, S Mount, Connector from bottom			
STC-S133UVC-DBLCS				CS	DPF, Board, CS Mount, Connector from bottom			
STC-S133UVC-ALL				S	IRCF, Case, S Mount, Connector from bottom			
STC-S133UVC-ALCS				CS	IRCF, Case, CS Mount, Connector from bottom			
STC-S133UVC-DALL				S	DPF, Case, S Mount, Connector from bottom			
STC-S133UVC-DALCS				CS	DPF, Case, CS Mount, Connector from bottom			
STC-S133UVC-BS				---	IRCF, Board, Base (without lens mount), Connector from rear			
STC-S133UVC-BSL				S	IRCF, Board, S Mount, Connector from rear			
STC-S133UVC-BSCS				CS	IRCF, Board, CS Mount, Connector from rear			
STC-S133UVC-DBS				---	DPF, Board, Base (without lens mount), Connector from rear			
STC-S133UVC-DBSL				S	DPF, Board, S Mount, Connector from rear			
STC-S133UVC-DBSCS				CS	DPF, Board, CS Mount, Connector from rear			
STC-P213UVC-ALL					30 fps	1/2.9	S	Case, S Mount
STC-P213UVC-BLL							S	Board, S Mount

Note. DPF: Dual Pass Filter, IRCF: IR Cut Filter

MIPI					
Model	Monochrome/Color	Frame Rate	Sensor Size	Lens Mount	General Specifications
STC-S133MIP	Color	60 fps	1/3.2	---	IRCF, Board, Base (without lens mount)
STC-S133MIP-CS				CS	IRCF, Board, CS Mount
STC-S133MIP-L				S	IRCF, Board, S Mount
STC-S133MIP-NF				---	Board, No filter
STC-S133MIP-D				---	DPF, Board, Base (without lens mount)
STC-S133MIP-DCS				CS	DPF, Board, CS Mount
STC-S133MIP-DL				S	DPF, Board, S Mount
STC-S133MIP-ALL				S	IRCF, Case, S Mount
STC-S133MIP-ALCS				CS	IRCF, Case, CS Mount
STC-S133MIP-DALL				S	DPF, Case, S Mount
STC-S133MIP-DALCS				CS	DPF, Case, CS Mount

Note. DPF: Dual Pass Filter, IRCF: IR Cut Filter
Harness is included.

Accessories

Remote Control Unit	
Model	Applicable Model
RC-S133	S133N(P) Series

Mount Conversion Adapter	
Model	Applicable Model
CS-C-R	CS-Mount Models of all S133 Series

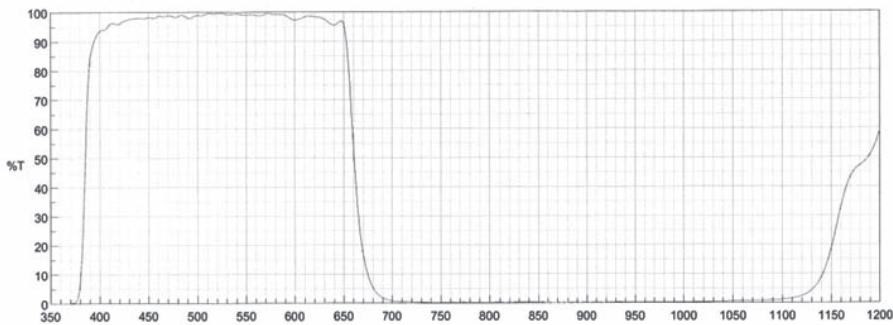
Harness for Power Supply/Signal Output		
Model	Applicable Model	General Specifications
KSAF005	For S133N/P	8-pin connector to power pin jack and BNC connector
KSAF006	For S133N/P	8-pin connector to power pin jack and RCA connector

S-Mount (M12 P0.5) Lens

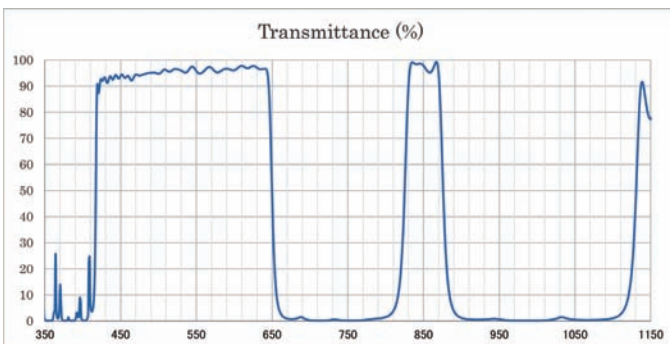
Model	Applicable Model	General Specifications
CV0205C	S-mount models	f = 2.5 mm, 1/3", F2.0, 5 MP resolution
KVAB009		Lens fixing washer

Spectral Characteristics

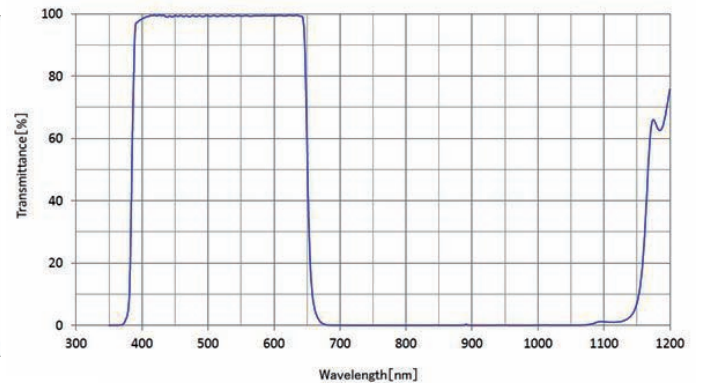
ISX017 IR cut filter spectral sensitivity characteristics



ISX017 Dual pass filter spectral sensitivity characteristics

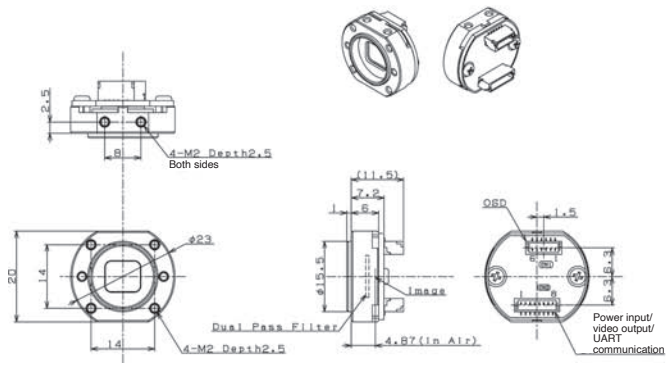


PV4209K IR cut filter spectral sensitivity characteristics

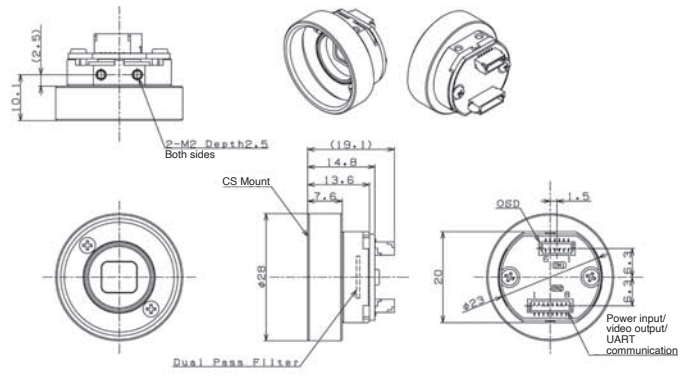


Drawing dimension

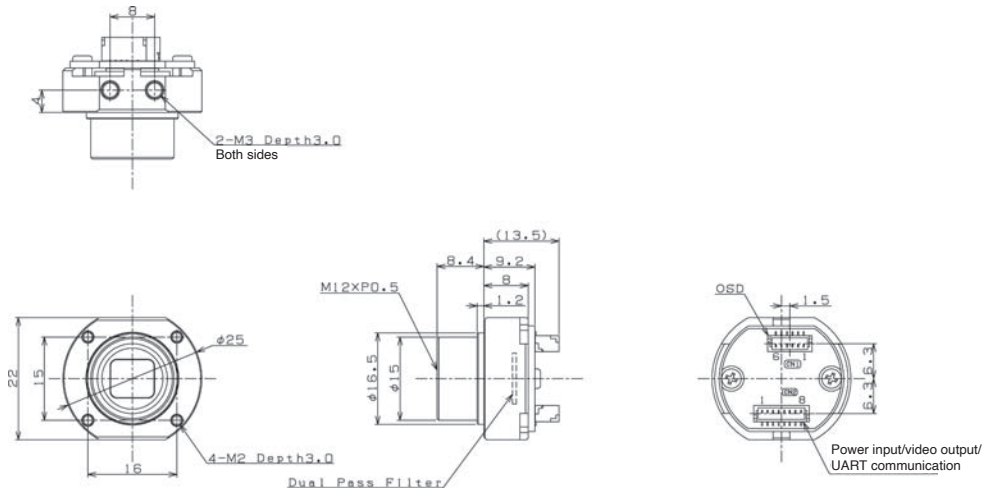
STC-S133N(P)/I



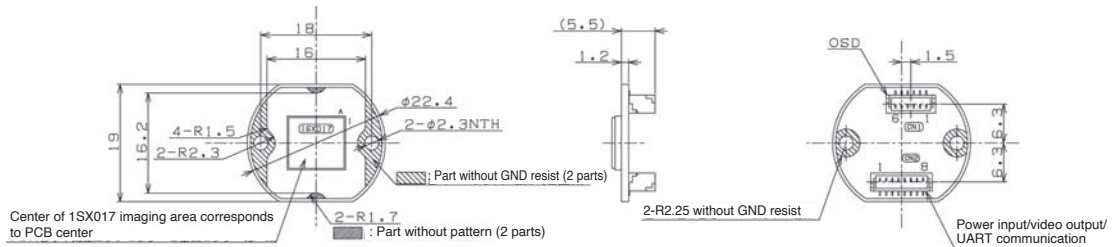
STC-S133N(P)/ICS



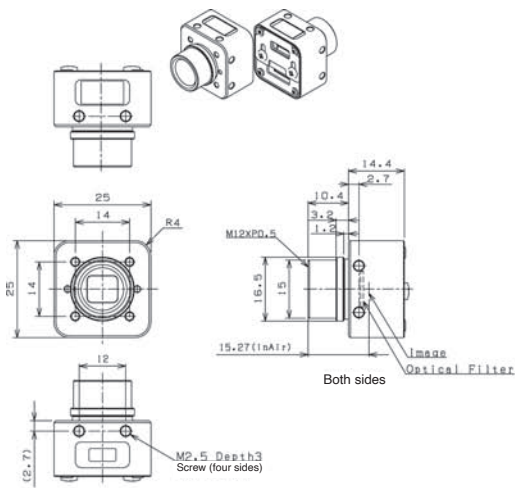
STC-S133N(P)-L/LS/IL/ILS



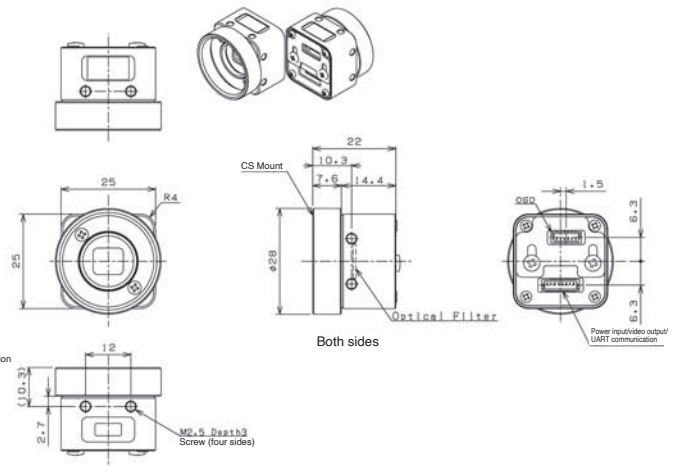
STC-S133N(P)-NF



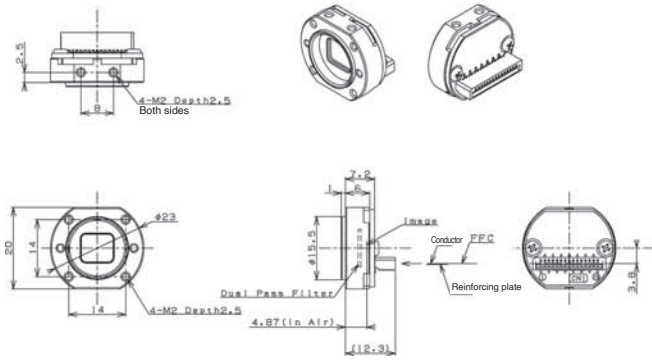
STC-S133N(P)-AL/IAL



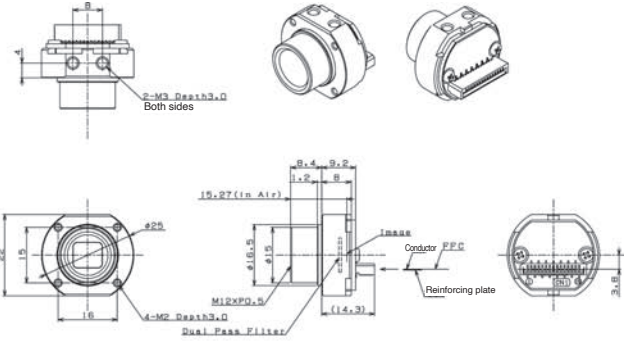
STC-S133N(P)-ACS/IACS



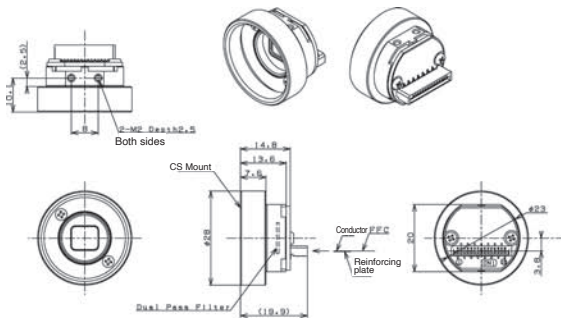
STC-S133MIP(D)



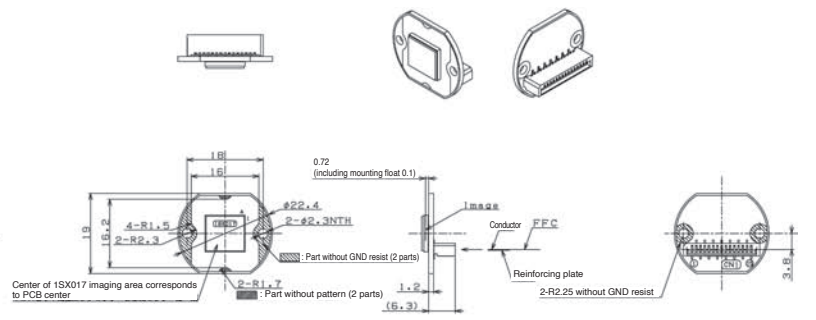
STC-S133MIP-L(DL)



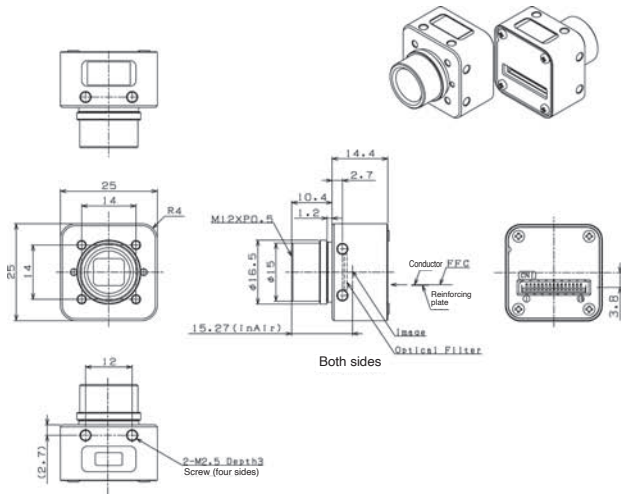
STC-S133MIP-CS(DCS)



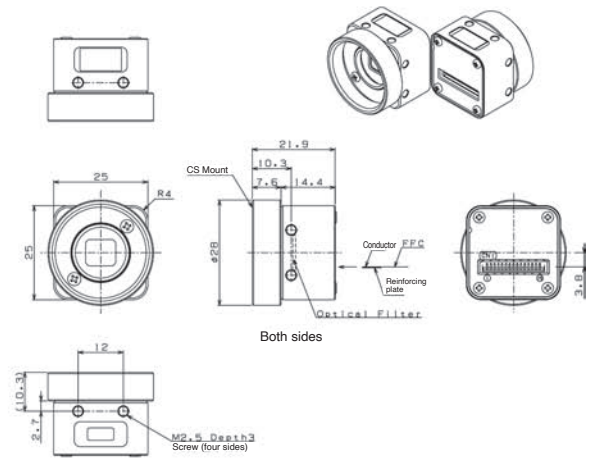
STC-S133MIP-NF



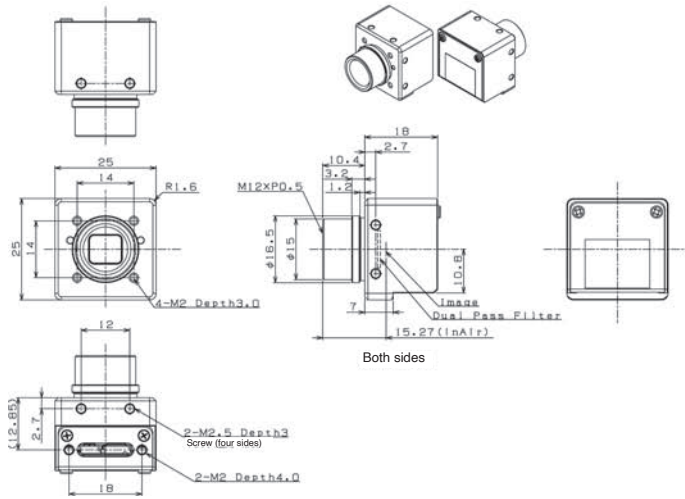
STC-S133MIP-ALL/DALL



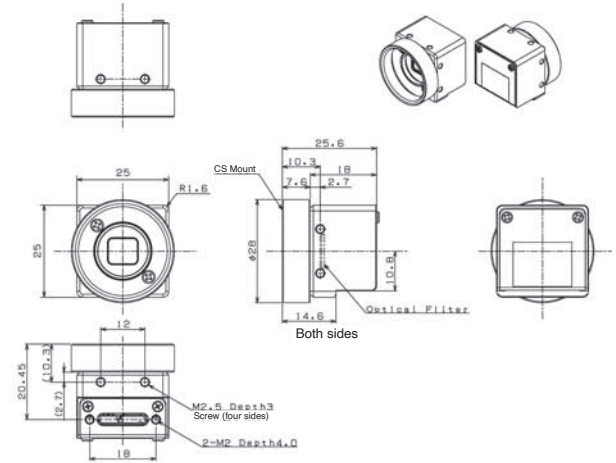
STC-S133MIP-ALCS/DALCS



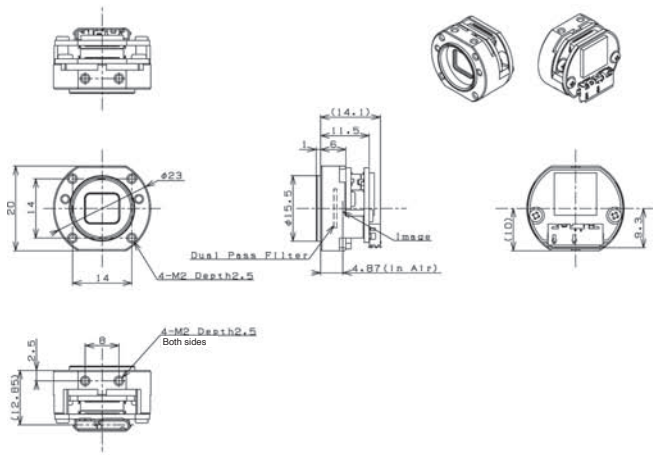
STC-S133UVC-ALL/DALL



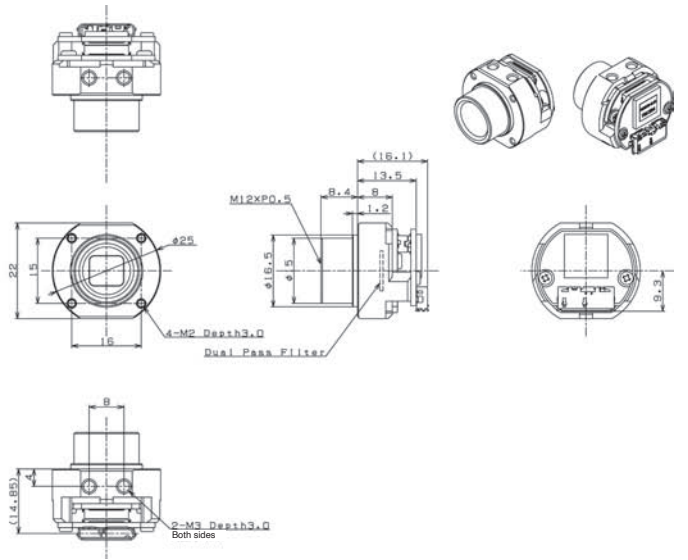
STC-S133UVC-ALCS/DALCS



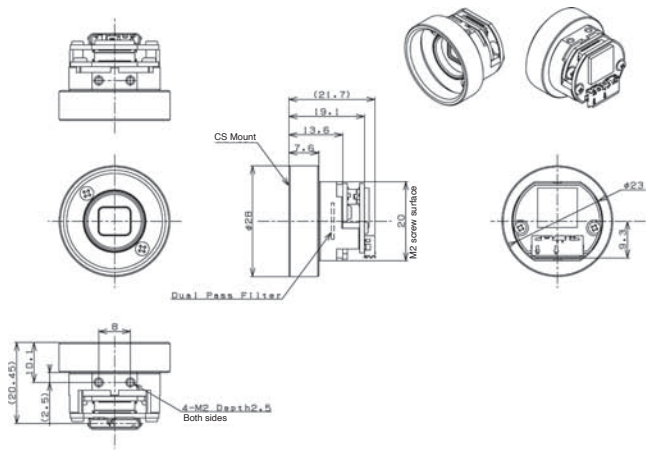
STC-S133UVC-BL(DBL)



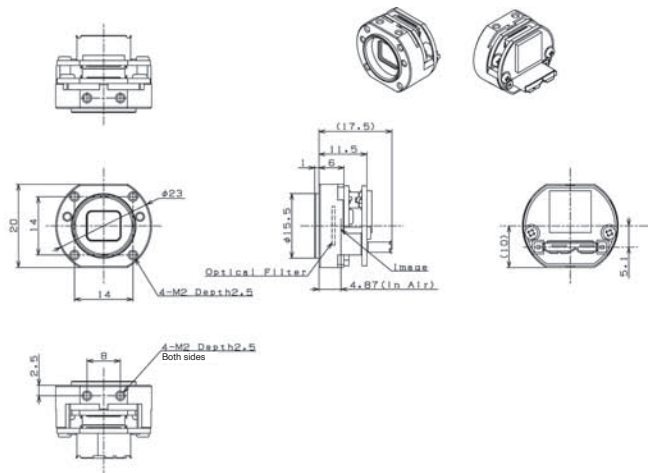
STC-S133UVC-BLL(DBLL)



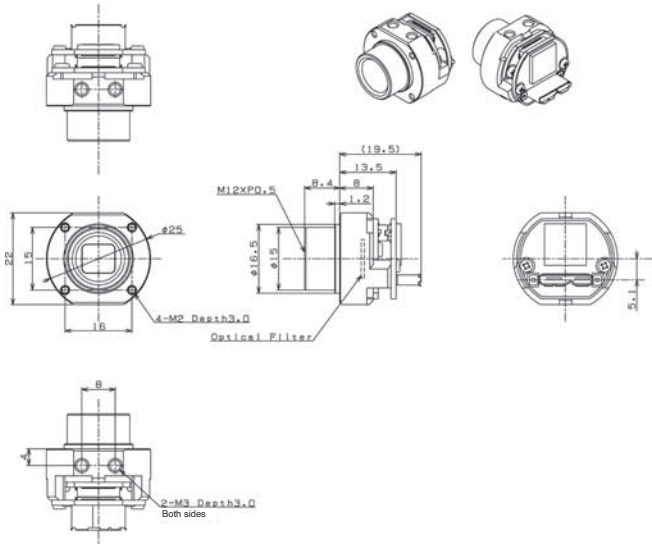
STC-S133UVC-BLCS(DBLCS)



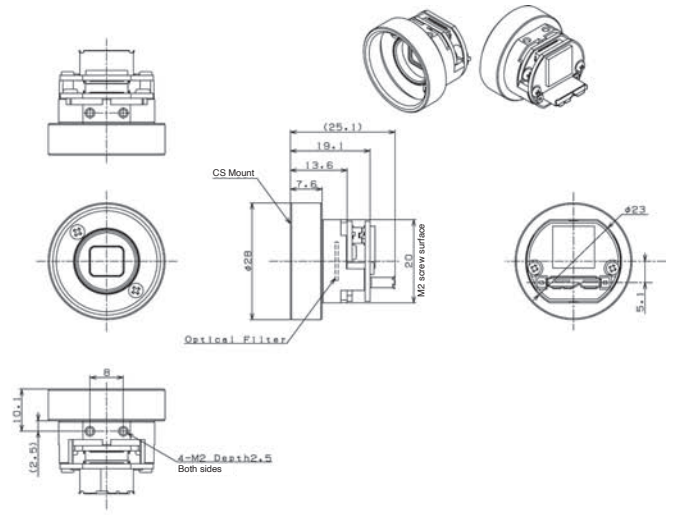
STC-S133UVC-BS(DBS)



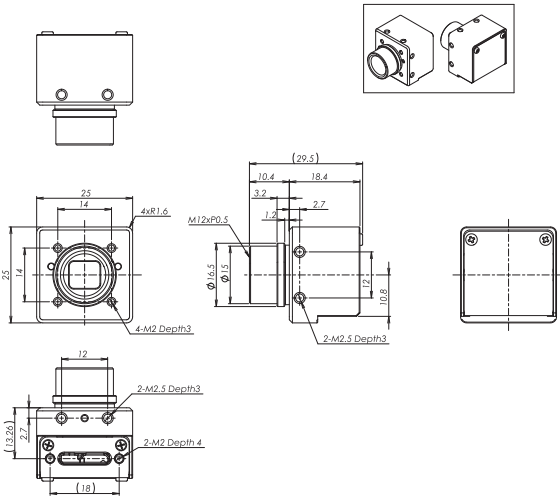
STC-S133UVC-BSL(DBSL)



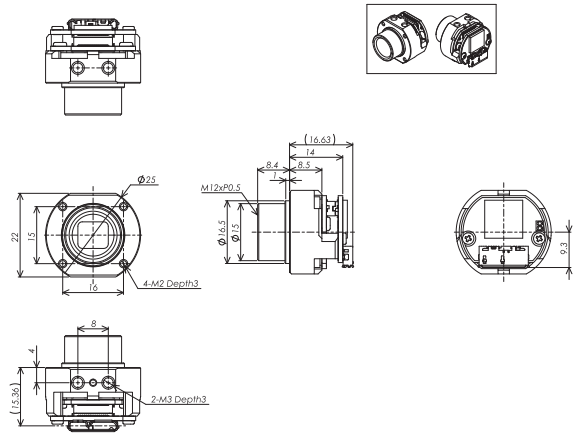
STC-S133UVC-BSCS(DBSCS)



STC-P213UVC-ALL



STC-P213UVC-BLL



Accessory, Cable, others



Description

Optional items for using cameras

Screw-fastened GigE Cable



OMRON has made available a line of optional screw-fastened cables, responding to many requests for such cables when using GigE cameras in the FA applications.

Screw-Fastened GigE Cables		
Model	Length	Cable Type
CAB-GE-02-RBH	2 m	Bending resistance cables
CAB-GE-03-RBH	3 m	
CAB-GE-05-RBH	5 m	
CAB-GE-10-RBH	10m	
CAB-GE-20-RBH	20 m	
CAB-GE-40-RBH	40 m	
CAB-GE-02-RBX	2 m	Super bending resistance cables
CAB-GE-03-RBX	3 m	
CAB-GE-05-RBX	5 m	
CAB-GE-10-RBX	10 m	
CAB-GE-20-RBX	20 m	
CAB-GE-40-RBX	40 m	

Power Supply and I/O Cables

Power Supply and I/O Cables	
Model	Length
FJ-VSP2 3M	3 m
FJ-VSP2 5M	5 m
FJ-VSP2 10M	10 m

Note. When wiring a camera, be sure to refer to its specification document to check its external connector specifications. Incorrect wiring can lead to failure.

Screw-fastened USB3.0 Cable



USB 3.0 Cables (USB 3.0 Micro-B, with Camera-Side Fastening Screws)

Model	Length	Cable Type
CAB-USB3-02	2 m	Normal
CAB-USB3-03	3.5 m	
CAB-USB3-05	5 m	
CAB-USB3-07	7 m	
CAB-USB3-10	10 m	Normal high-transmission cables
CAB-USB3-02-RB	2 m	Robot cables
CAB-USB3-03-RB	3.5 m	
CAB-USB3-05-RB	5 m	
CAB-USB3-07-RB	7 m	

Note. Please make sure in advance that USB 3.0 cables operate correctly under your environment.

Coaxial Cable (CoaXPress, TV Format)



Robot cable for CoaXPress camera

Model	Applicable Model	Connector type (on the image input board side)	Connector type (on the camera side)	Length
CAB-CXP-02-MBSB	CoaXPress	MicroBNC	BNC	2 m
CAB-CXP-03-MBSB				3 m
CAB-CXP-05-MBSB				5 m
CAB-CXP-10-MBSB				10 m
CAB-CXP-02-MBMB			MicroBNC	2 m
CAB-CXP-03-MBMB				3 m
CAB-CXP-05-MBMB				5 m
CAB-CXP-10-MBMB				10 m
CAB-CXP-10-MBJB	Extension cable (used with a 2 m/3 m/5 m cable above)		MicroBNC(J)	10 m

BNC-BNC Cables

Model	Applicable Model	Connector Type	Length
BNC-BNC1	TV Format	BNC on both ends	1 m
BNC-BNC2			2 m
BNC-BNC3			3 m
BNC-BNC5			5 m
BNC-BNC10			10 m

BNC-RCA (Pin Jack) Cables

Model	Applicable Model	Connector Type	Length
BNC-RCA2	TV Format	BNC on one end and RCA on the other	2 m
BNC-RCA3			3 m
BNC-RCA5			5 m
BNC-RCA10			10 m

HDMI Cable



HDMI Cable

Model	Applicable Model	Length
CAB-HDMI-015	4K HD high vision (DVI) cameras	1.5 m
CAB-HDMI-02	4K HD high vision (DVI) cameras	2 m
CAB-HDMI-03	4K HD high vision (DVI) cameras	3 m
CAB-HDMI-05	4K HD high vision (DVI) cameras	5 m

Note. Please make sure in advance that HDMI cables operate correctly under your environment, including power supply capability.

HDMI Fiber-Optic Cables

Model	Applicable Model	Length
CAB-HDMI-10-OPT	4K HD high vision (DVI) cameras	10 m Provides power supply (with USB)
CAB-HDMI-20-OPT	4K HD high vision (DVI) cameras	20 m Provides power supply (with USB)
CAB-HDMI-30-OPT	4K HD high vision (DVI) cameras	30 m Provides power supply (with USB)
CAB-HDMI-50-OPT	4K HD high vision (DVI) cameras	50 m Provides power supply (with USB)
CAB-HDMI-70-OPT	4K HD high vision (DVI) cameras	70 m Provides power supply (with USB)
CAB-HDMI-100-OPT	4K HD high vision (DVI) cameras	100 m Provides power supply (with USB)

Note. Please make sure in advance that HDMI cables operate correctly under your environment, including power supply capability.

Harness for Power Supply/Signal Output



Harnesses for power supply and signal output for STC-S133N/P

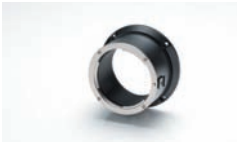
Model	Applicable Model	General Specifications
KSAF005	For S133N/P	8-pin connector to power pin jack and BNC connector
KSAF006		8-pin connector to power pin jack and RCA connector

Mount Conversion Adapter



Adapter ring necessary when using C-mount lens with CS-mount camera

Adapter for converting M42 P=1 FB=10mm to F-mount when using 12M, 25M, or line sensor cameras



Model	Applicable Model	General Specifications
CS-C-R	CS Mount Series	CS mount → C mount conversion adapter
M42-F-R	12M, 25M, Line Scanning Camera	M42 P=1 FB=10 mm → F mount conversion adapter

Tripod Mount



Optional adapter for fastening the camera with tripod screws

Model	Applicable Model	General Specifications
TP-HCA	USB3.0: STC-MCE/MBE132U3V, STC-MCA/MBA5MUSB3 Camera Link: SPB/SPC43, 52, 163, 202PCL	
TP-JVA	USB3.0: 0.4M, 0.5M, 1.6M, 2.3M, 3.2M, 4M, 5M (M*S500/510U3V)	
TP-JQA	USB3.0: 7.1M, 8.9M, 12.3M, 12M, 20.4M Camera Link: 2M (CM*200PCL), 3.1M, 4M, 5M (SP*500/510PCL), 8.8M, 12.3M, 16.2M, 20.3M, 24.5M, 25M (GP*250BPCL)	
TP-KWA	GigE Vision M Series	
TP-KWA-IEA	GigE Vision M Series	Use to set M Series at same height as S Series sensor center.
TP-KWA2	STC-MBS/MCS881POE, STC-MBS/MCS122BPOE, STC-MBS/MCS2041POE	

Remote Control Unit



The unit is connected to the pin jack on the back of the camera allowing various settings to be made with an on-screen display. All DVI/SDI models are applicable.

Model	Applicable Model	General Specifications
RC-HD133	DVI/SDI	ø3.5 stereo pin jack
RC-S133	S133N/P Series	
RC-S133B	S133N-B Series	ø3.5 stereo pin jack

Accessory Fixed Focus Lens



Description

Small-diameter fixed focus lens for small board cameras and remote head camera

S Mount (M12 P0.5) Lens



Model	Applicable Model	General Specifications
CV0205C	S Mount Series	f=2.5 mm, 1/3", F2.0, for 5M resolution
KVAB009		Lens fixing washer

Factory Drive Recorder

Description

Efficient identification of problem causes with a video recorder

Simple configuration facilitates installation



Industrial camera

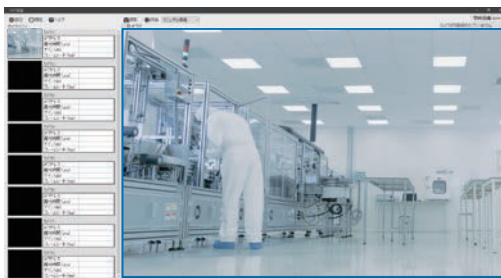
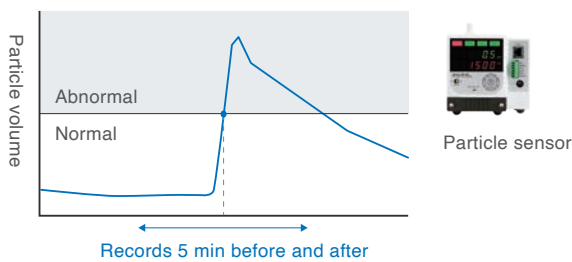
Factory Drive Recorder software

Features

Automatic recording of events by trigger input

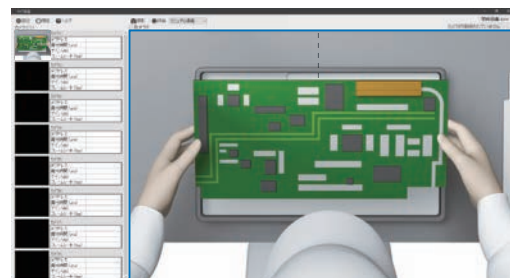
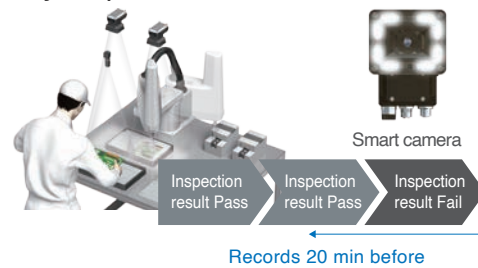
The camera records a video showing the machine state for up to 60 minutes before and after the problem by being triggered by external input from the sensor or PLC or by TCP command input. This allows you to quickly understand what happened by replaying the video.

Case Recording triggered by particle volume abnormality



Shows that the operator opened the machine door

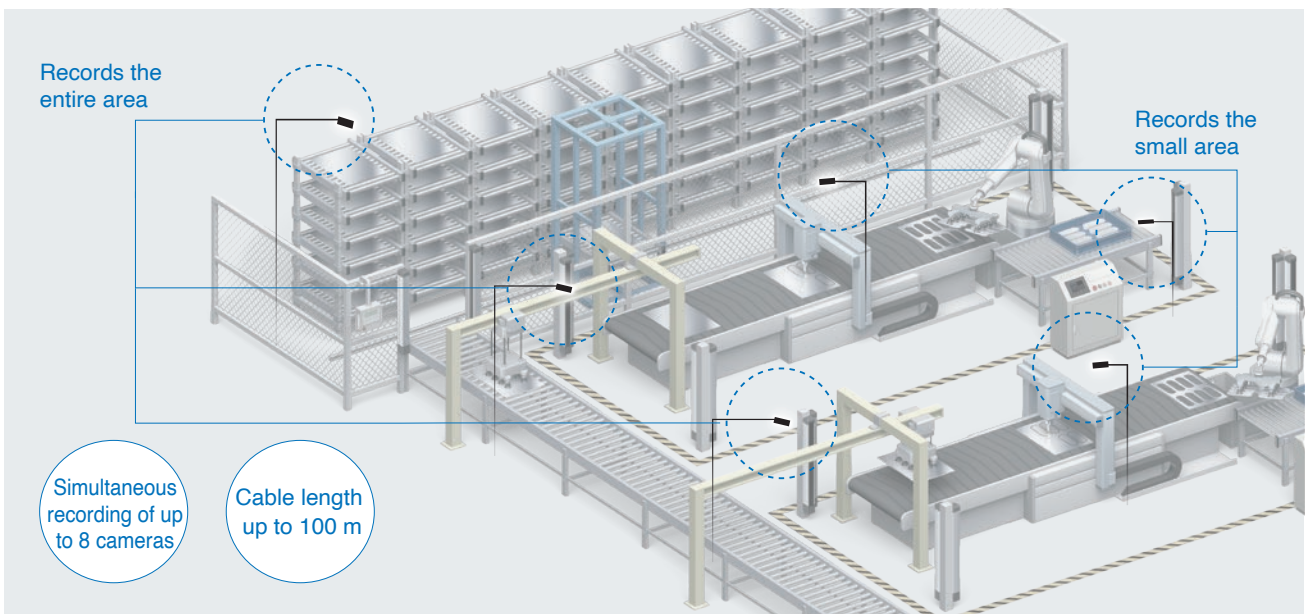
Case Recording of work process triggered by inspection fail



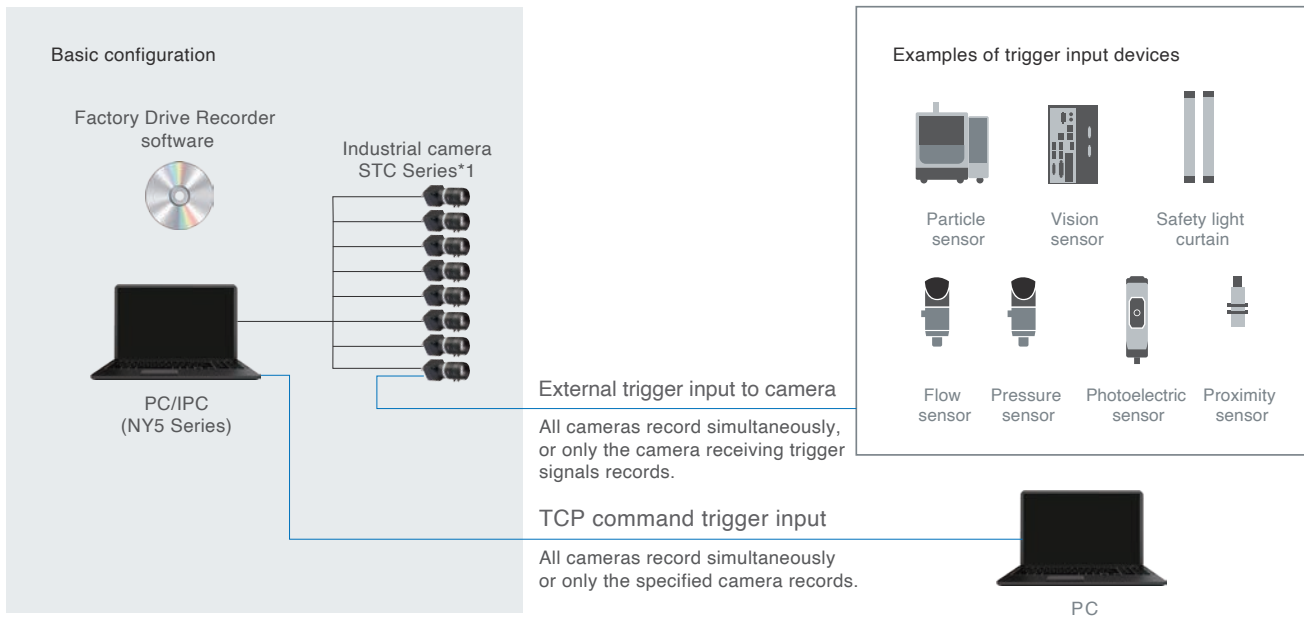
Shows that the operator made a mistake

Simultaneous recording of wide and narrow areas

Omron's broad portfolio of cameras, including a camera with a long cable required for wide-area recording to shoot the entire manufacturing site, can be freely combined with lenses for different fields of view. These combinations enable capturing wide and narrow areas at the same time, allowing you to accurately analyze problems by replaying the videos.



System configuration



Note: Up to eight cameras can simultaneously record. A hub is required to connect cameras depending on the PC specifications and the number of connected cameras.
*1. Omron's STC Industrial Cameras can be used. See the following product line-up table for details.

Product Line-up

Software

Item	Max. no. of connectable cameras	Model
Factory Drive Recorder	8 per PC	STC-FDR-SW01

Industrial Camera STC Series

Item		Max. resolution	High-speed*1	Compact	Cable extension (100 m)	Wide wavelength range
GigE Vision Camera	Small CMOS Camera STC-M□□□□□□□□POE Series	2040 Megapixel			✓	
	Small CMOS Board Camera STC-B□S□□□□□□□□POE/GE Series	2040 Megapixel		✓	✓	
	SWIR Camera STC-L□S□□□□□□□□POE-SWIR Series	130 Megapixel			✓	✓
USB3 Vision Camera	Small CMOS Camera STC-M□□□□□□□□U3V Series	2040 Megapixel	✓			
	Small CMOS Board Camera*2 STC-B□S□□□□□□□□U3V Series	1200 Megapixel	✓	✓		
	SWIR Camera STC-L□S□□□□□□□□U3V-SWIR Series	130 Megapixel	✓			✓
USB3 (UVC) Camera	Small CMOS Remote Head Camera STC-R□□□□□□□□U3V Series	160 Megapixel	✓	✓ (Ultra-compact)		
	Small CMOS Collar Camera STC-S133/P213UVC Series	200 Megapixel		✓		

Note: The USB3 Vision or GigE Vision Camera cannot be simultaneously used with the USB3 (UVC) Camera.

*1. The maximum frame rate depends on your PC performance, the number of connected cameras, and the camera type. Test the products before actual use.

*2. Not supported by STC-B□S43U3V, STC-B□S43U3V-□□□, STC-B□S163U3V, STC-B□S163U3V-□□□, STC-B□S502U3V, and STC-B502U3V-□□□.

Recording methods

Recording method	Description	Recording time
Continuous Recording	Records as configured (days and time)	Up to 1 year (366 days)
Manual Recording	Starts and stops recording manually	Up to 60 minutes
Trigger Recording	Time Trigger	Records once a day at specified time
	Motion Detection	Records when the difference between an image and the preceding image exceeds the specified value
	Master Image Comparison	Records when the difference between a predefined still image and a camera image exceeds the specified value
	Trigger Signal (External trigger, I/O)	Records when a trigger signal is input to the camera
	Trigger Signal (TCP command)	Records when a TCP command is input to the camera
		Up to 60 minutes*1 before and after trigger

*1. When the recording time before a trigger is long, it takes a long time to create a video file.



For details on the factory drive recorder, refer to its catalog.
(Cat. No. Q340)

Trademarks

- * Camera Link, GigE Vision, USB3Vision, and PoCL are trademarks of A3 (Association For Advancing Automation).
- * CoaXPress is a trademark of JIIA (Japan Industrial Imaging Association).
- * Opt-C:Link is a registered trademark of AVAL DATA CORPORATION.
- * Windows and Microsoft Visual Studio are either registered trademarks or trademarks of Microsoft Corporation in the United States and/or other countries.
- * Other company names and product names in this document are the trademarks or registered trademarks of their respective companies.

Terms and Conditions Agreement

Read and understand this catalog.

Please read and understand this catalog before purchasing the products. Please consult your OMRON representative if you have any questions or comments.

Warranties.

- (a) Exclusive Warranty. Omron's exclusive warranty is that the Products will be free from defects in materials and workmanship for a period of twelve months from the date of sale by Omron (or such other period expressed in writing by Omron). Omron disclaims all other warranties, express or implied.
- (b) Limitations. OMRON MAKES NO WARRANTY OR REPRESENTATION, EXPRESS OR IMPLIED, ABOUT NON-INFRINGEMENT, MERCHANTABILITY OR FITNESS FOR A PARTICULAR PURPOSE OF THE PRODUCTS. BUYER ACKNOWLEDGES THAT IT ALONE HAS DETERMINED THAT THE PRODUCTS WILL SUITABLY MEET THE REQUIREMENTS OF THEIR INTENDED USE.

Omron further disclaims all warranties and responsibility of any type for claims or expenses based on infringement by the Products or otherwise of any intellectual property right. (c) Buyer Remedy. Omron's sole obligation hereunder shall be, at Omron's election, to (i) replace (in the form originally shipped with Buyer responsible for labor charges for removal or replacement thereof) the non-complying Product, (ii) repair the non-complying Product, or (iii) repay or credit Buyer an amount equal to the purchase price of the non-complying Product; provided that in no event shall Omron be responsible for warranty, repair, indemnity or any other claims or expenses regarding the Products unless Omron's analysis confirms that the Products were properly handled, stored, installed and maintained and not subject to contamination, abuse, misuse or inappropriate modification. Return of any Products by Buyer must be approved in writing by Omron before shipment. Omron Companies shall not be liable for the suitability or unsuitability or the results from the use of Products in combination with any electrical or electronic components, circuits, system assemblies or any other materials or substances or environments. Any advice, recommendations or information given orally or in writing, are not to be construed as an amendment or addition to the above warranty.

See <http://www.omron.com/global/> or contact your Omron representative for published information.

Limitation on Liability; Etc.

OMRON COMPANIES SHALL NOT BE LIABLE FOR SPECIAL, INDIRECT, INCIDENTAL, OR CONSEQUENTIAL DAMAGES, LOSS OF PROFITS OR PRODUCTION OR COMMERCIAL LOSS IN ANY WAY CONNECTED WITH THE PRODUCTS, WHETHER SUCH CLAIM IS BASED IN CONTRACT, WARRANTY, NEGLIGENCE OR STRICT LIABILITY.

Further, in no event shall liability of Omron Companies exceed the individual price of the Product on which liability is asserted.

Suitability of Use.

Omron Companies shall not be responsible for conformity with any standards, codes or regulations which apply to the combination of the Product in the Buyer's application or use of the Product. At Buyer's request, Omron will provide applicable third party certification documents identifying ratings and limitations of use which apply to the Product. This information by itself is not sufficient for a complete determination of the suitability of the Product in combination with the end product, machine, system, or other application or use. Buyer shall be solely responsible for determining appropriateness of the particular Product with respect to Buyer's application, product or system. Buyer shall take application responsibility in all cases.

NEVER USE THE PRODUCT FOR AN APPLICATION INVOLVING SERIOUS RISK TO LIFE OR PROPERTY OR IN LARGE QUANTITIES WITHOUT ENSURING THAT THE SYSTEM AS A WHOLE HAS BEEN DESIGNED TO ADDRESS THE RISKS, AND THAT THE OMRON PRODUCT(S) IS PROPERLY RATED AND INSTALLED FOR THE INTENDED USE WITHIN THE OVERALL EQUIPMENT OR SYSTEM.

Programmable Products.

Omron Companies shall not be responsible for the user's programming of a programmable Product, or any consequence thereof.

Performance Data.

Data presented in Omron Company websites, catalogs and other materials is provided as a guide for the user in determining suitability and does not constitute a warranty. It may represent the result of Omron's test conditions, and the user must correlate it to actual application requirements. Actual performance is subject to the Omron's Warranty and Limitations of Liability.

Change in Specifications.

Product specifications and accessories may be changed at any time based on improvements and other reasons. It is our practice to change part numbers when published ratings or features are changed, or when significant construction changes are made. However, some specifications of the Product may be changed without any notice. When in doubt, special part numbers may be assigned to fix or establish key specifications for your application. Please consult with your Omron's representative at any time to confirm actual specifications of purchased Product.

Errors and Omissions.

Information presented by Omron Companies has been checked and is believed to be accurate; however, no responsibility is assumed for clerical, typographical or proofreading errors or omissions.

Note: Do not use this document to operate the Unit.

OMRON Corporation Industrial Automation Company

Kyoto, JAPAN

Contact : www.ia.omron.com

Regional Headquarters

OMRON EUROPE B.V.

Wegalaan 67-69, 2132 JD Hoofddorp
The Netherlands
Tel: (31) 2356-81-300 Fax: (31) 2356-81-388

OMRON ASIA PACIFIC PTE. LTD.

438B Alexandra Road, #08-01/02 Alexandra
Technopark, Singapore 119968
Tel: (65) 6835-3011 Fax: (65) 6835-3011

OMRON ELECTRONICS LLC

2895 Greenspoint Parkway, Suite 200
Hoffman Estates, IL 60169 U.S.A.
Tel: (1) 847-843-7900 Fax: (1) 847-843-7787

OMRON (CHINA) CO., LTD.

Room 2211, Bank of China Tower,
200 Yin Cheng Zhong Road,
PuDong New Area, Shanghai, 200120, China
Tel: (86) 21-6023-0333 Fax: (86) 21-5037-2388

Authorized Distributor:

©OMRON Corporation 2017-2024 All Rights Reserved.
In the interest of product improvement,
specifications are subject to change without notice.

CSM_7_1

Cat. No. Q259-E1-14 1024 (1117)