

# WF

## WALL FAN HEATER



### VERSATILITY IS THE NAME OF THE GAME!

The WF is a high-capacity fan heater that's ideal for building lobbies, long corridors, stairwells, workshops, factories and warehouses. Its electrical element is made of high-quality nichrome that provides an immediate surge of hot air. The various modes of wall installation make the WF heater one of the most versatile fan heaters on the market: it can be surface mounted or recessed, with a variety of models and heating capacities to choose from.

- **GRILLE WITH ROUNDED SIDES**  
DURABLE AND STYLISH
- **WIDE RANGE OF MODELS AND HEATING CAPACITIES**  
INCLUDING A SINGLE 4800 W MODEL
- **NICHROME ELEMENT**  
ASSURING INSTANT HEAT
- **OPTIONAL DISCONNECT SWITCH AVAILABLE**

#### COLOURS

- **standard:** white
- **Orora (optional):** refer to [www.stelpro.com/en-CA/Orora](http://www.stelpro.com/en-CA/Orora)

#### FINISH

- epoxy-polyester powdercoat

#### MANUFACTURING

- 20-gauge steel cabinet and 18-gauge steel grille
- top air intake with bottom air discharge
- quiet helicoidal fan:
  - single unit 1 x 160 CFM
  - double unit 2 x 160 CFM
  - triple unit 3 x 160 CFM
- closed and permanently lubricated motor
- thermal protection with automatic reset

#### ELEMENT

- high-quality nichrome element producing instant heat

#### CONTROL

- connection of multiple units to the same thermostat is possible with a relay kit without transformer (optional) and an external transformer (not provided)
- built-in thermostat (optional), 3 control knobs included (white, soft white and black) for standard installation, without knob for tamper-proof installation

#### INSTALLATION

- wall mounted
- recessed or surface mounted with surface adapter (optional)

#### WARRANTY

- three years



#### ROUNDED CORNERS

#### IDEAL FOR:

lobby, corridor, factory, warehouse, stairwell

# °STELPRO

Stelpro reserves the right to modify at any time the description, manufacturing, or price of its products. Additionally, Stelpro may apply restocking fees or refuse a refund based on one or more of the following criteria: optional color, custom product, assembly with low-demand options. For the latest product information and prices regarding the products, please visit the website [www.stelpro.com](http://www.stelpro.com).



# TECHNICAL SPECIFICATIONS

WITHOUT CONTROL	BUILT-IN THERMOSTAT	240 V CONTROL	24 V CONTROL	POWER	VOLTAGE	WEIGHT		MODEL
CODE	CODE	CODE	CODE	WATTS	VOLTS	KG	LB	UNIT
WF1501W	WF1501TW	---	WF1501C24W	1500	120	9	20	SINGLE
WF1508W	WF1508TW	WF1508CW	WF1508C24W	1500	208	9	20	SINGLE
WF1502W	WF1502TW	WF1502CW	WF1502C24W	1500/1125	240/208	9	20	SINGLE
WF1503W	WF1503TW	WF1503CW	WF1503C24W	1500	347	9	20	SINGLE
---	WF1506TW	WF1506CW	WF1506C24W	1500	600	10	22	SINGLE
WF2008W	WF2008TW	WF2008CW	WF2008C24W	2000	208	9	20	SINGLE
WF2002W	WF2002TW	WF2002CW	WF2002C24W	2000/1500	240/208	9	20	SINGLE
WF2003W	WF2003TW	WF2003CW	WF2003C24W	2000	347	9	20	SINGLE
---	WF2006TW	WF2006CW	WF2006C24W	2000	600	10	22	SINGLE
WF3008W	WF3008TW	WF3008CW	WF3008C24W	3000	208	9	20	SINGLE
WF3002W	WF3002TW	WF3002CW	WF3002C24W	3000/2250	240/208	9	20	SINGLE
WF3003W	WF3003TW	WF3003CW	WF3003C24W	3000	347	9	20	SINGLE
---	WF3006TW	WF3006CW	WF3006C24W	3000	600	10	22	SINGLE
WF4008W	WF4008TW	WF4008CW	WF4008C24W	4000	208	9	20	SINGLE
WF4002W	WF4002TW	WF4002CW	WF4002C24W	4000/3000	240/208	9	20	SINGLE
WF4003W	WF4003TW	WF4003CW	WF4003C24W	4000	347	9	20	SINGLE
---	WF4006TW	WF4006CW	WF4006C24W	4000	600	10	22	SINGLE
WF4808W	WF4808TW	WF4808CW	WF4808C24W	4800	208	9	20	SINGLE
WF4802W	WF4802TW	WF4802CW	WF4802C24W	4800/3600	240/208	9	20	SINGLE
WF4803W	WF4803TW	WF4803CW	WF4803C24W	4800	347	9	20	SINGLE
---	WF4806TW	WF4806CW	WF4806C24W	4800	600	10	22	SINGLE
---	WF6008CTW	WF6008CW	WF6008C24W	6000	208	18	40	DOUBLE
---	WF6002TW	WF6002CW	WF6002C24W	6000/4500	240/208	18	40	DOUBLE
---	WF6003TW	WF6003CW	WF6003C24W	6000	347	18	40	DOUBLE
---	WF6006TW	WF6006CW	WF6006C24W	6000	600	20	44	DOUBLE
---	WF60083CTW*	WF60083CW*	WF60083C24W*	6000	208	36	80	TRIPLE
---	WF60063CTW*	WF60063CW*	WF60063C24W*	6000	600	36	80	TRIPLE
---	WF8008CTW	WF8008CW	WF8008C24W	8000	208	18	40	DOUBLE
---	WF8002CTW	WF8002CW	WF8002C24W	8000/6000	240/208	18	40	DOUBLE
---	WF8003CTW	WF8003CW	WF8003C24W	8000	347	18	40	DOUBLE
---	WF8006CTW	WF8006CW	WF8006C24W	8000	600	20	44	DOUBLE
---	WF90083CTW*	WF90083CW*	WF90083C24W*	9000	208	36	80	TRIPLE
---	WF90063CTW*	WF90063CW*	WF90063C24W*	9000	600	36	80	TRIPLE
---	WF12008CTW	WF12008CW	WF12008C24W	12 000	208	36	80	TRIPLE
---	WF12002CTW	WF12002CW	WF12002C24W	12 000/9000	240/208	36	80	TRIPLE
---	WF12003CTW	WF12003CW	WF12003C24W	12 000	347	36	80	TRIPLE
---	WF12006CTW	WF12006CW	WF12006C24W	12 000	600	36	80	TRIPLE
---	WF120083CTW*	WF120083CW*	WF120083C24W*	12 000	208	36	80	TRIPLE
---	WF120063CTW*	WF120063CW*	WF120063C24W*	12 000	600	36	80	TRIPLE

Consult the optional colours chart or contact your Stelpro representative for all other colours.

\* Three-phase unit

Models also available in 277 V and 480 V.

--- not available

## ACCESSORIES

PRODUCT	DESCRIPTION
WFT1	built-in single pole thermostat [120 V-600 V] (standard or tamper-proof)
WFT2	built-in double pole thermostat [120 V-600 V] (standard or tamper-proof)
WFA1W	surface adapter (single unit)
WFA2W	surface adapter (double unit)
WFA3W	surface adapter (triple unit)
WFDIS-30*	disconnect switch kit 600 V/30 A, 2 poles
WFDIS-40*	disconnect switch kit 600 V/40 A, 2 poles/3 poles
WFDIS-60*	disconnect switch kit 600 V/60 A, 2 poles/3 poles
WFC24RX*	relay kit without transformer 24 V

\* Factory installation

Stelpro reserves the right to modify at any time the description, manufacturing, or price of its products. Additionally, Stelpro may apply restocking fees or refuse a refund based on one or more of the following criteria: optional color, custom product, assembly with low-demand options. For the latest product information and prices regarding the products, please visit the website [www.stelpro.com](http://www.stelpro.com).



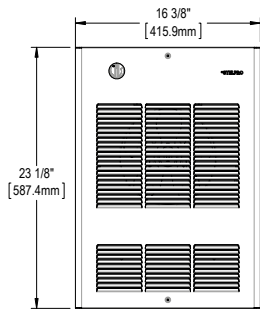
## THROW DISTANCE AND HEAT RISE

UNITS	THROW DISTANCE		HEAT RISE	
	M	FT	°C	°F
1.5	4.1	13'7"	17	30
2	4.1	13'7"	22	40
3	4.1	13'7"	33	59
4	4.1	13'7"	44	79
4.8	4.1	13'7"	53	95
6	4.1	13'7"	33	59
8	4.1	13'7"	44	79
9	4.1	13'7"	33	59
12	4.1	13'7"	44	79

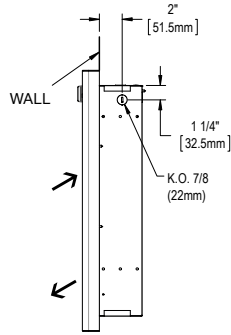
Stelpro reserves the right to modify at any time the description, manufacturing, or price of its products. Additionally, Stelpro may apply restocking fees or refuse a refund based on one or more of the following criteria: optional color, custom product, assembly with low-demand options. For the latest product information and prices regarding the products, please visit the website [www.stelpro.com](http://www.stelpro.com).

# TECHNICAL DRAWINGS

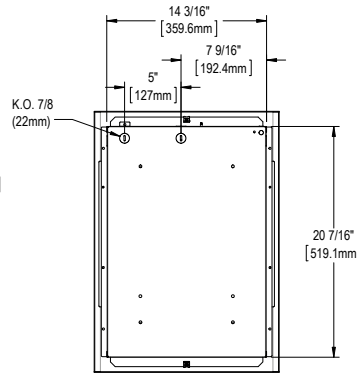
## SINGLE UNIT



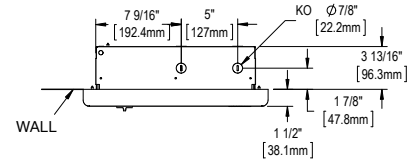
FRONT



SIDE

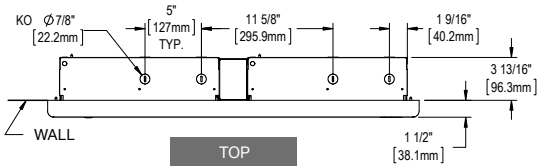


BACK

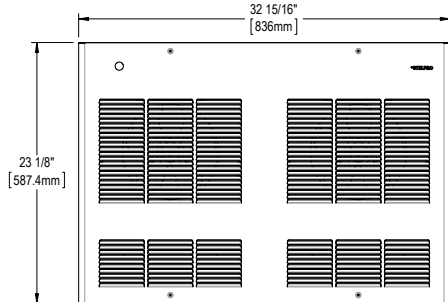


TOP

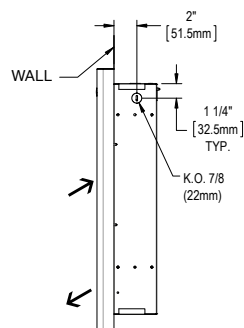
## DOUBLE UNIT



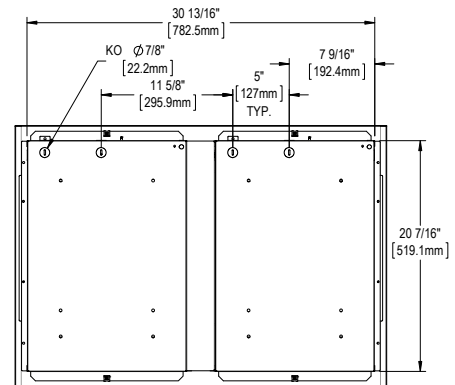
TOP



FRONT

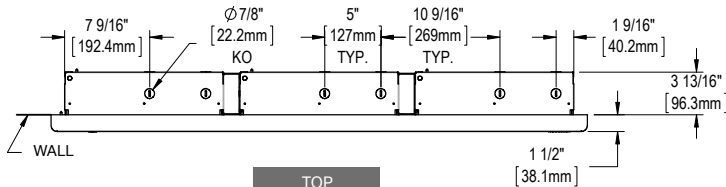


SIDE

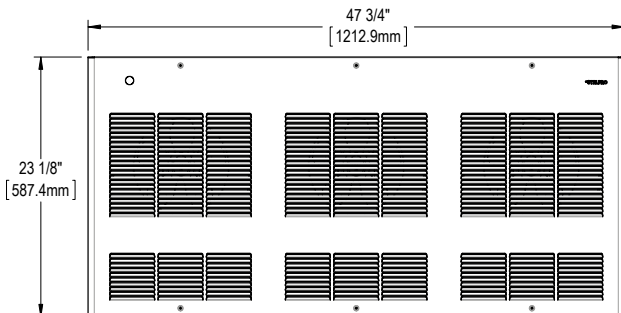


BACK

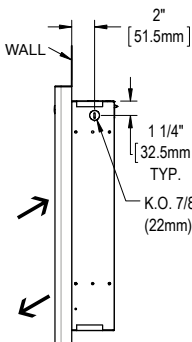
## TRIPLE UNIT



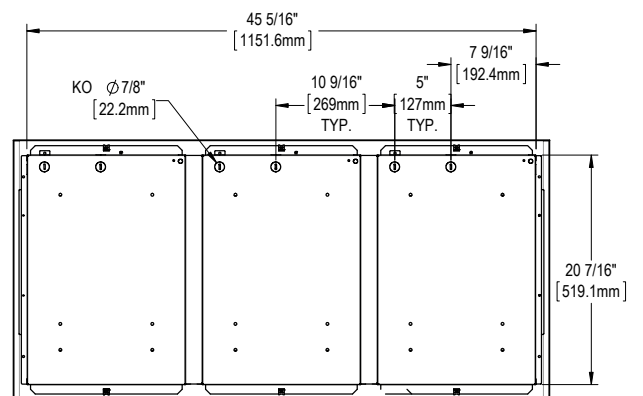
TOP



FRONT



SIDE



BACK