

VBE-5

New Construction Vapour Barrier Extender Recessed Lighting

Job Information		
Project Name		Type
Location		
Quantity		Date
Contact/Phone		
Notes		

Features

General Features

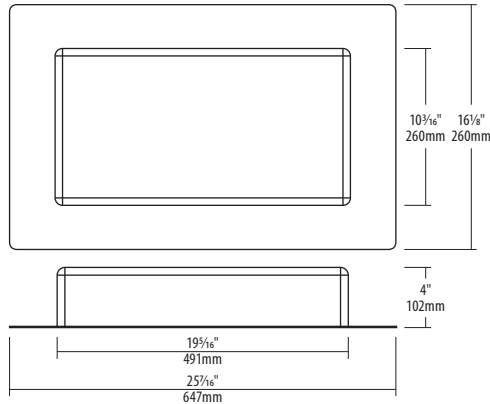
The body is constructed from a polyethylene membrane with flat flange all around to better enclose fixture from insulation. Rated 90°C max.

Required to be installed in order to comply with specific provincial regulations in terms of air leakage.



Description

The vapour barrier extender is for use with Liteline SlimLED fixtures, to prevent air leakage from your living space into the attic. Suitable for insulated ceilings. For use in new construction applications.



Notes: For additional options please consult your Liteline representative. Due to our continued efforts to improve our products, product specifications are subject to change without notice.

Ordering Guide



VBE-5

New construction vapour barrier extender for use with Liteline SlimLED and LUNA IC rated fixtures.