

# PAR220/20

ATHENA Line Voltage Track Fixture for PAR20 Lamps  
Track Systems

Job Information		
Project Name		Type
Location		
Quantity		Date
Contact/Phone		
Notes		

## Features

### Body

Constructed of die cast aluminum which provides superior strength and rigidity. Softened edges adds up to the low profile aesthetic design.

### Lamping

Porcelain socket for 120V PAR20 lamps, 50 watts max. A high temperature glass shield is included, mounted to front of lamp fixture.

### Adjustability

Fixture provides vertical rotation of 90° and horizontal rotation of 330°; providing a wide range of light source aiming possibilities.

### Dimming

The track fixture is dimmable when used with electronic line voltage rated dimming controls only. 120V / 60Hz input; 120V output; 50W maximum load.

### Compatibility

Liteline track fixtures are compatible with, A-Line, Juno®, Halo®, Lightolier® and most brands configured to Halo® track system design.

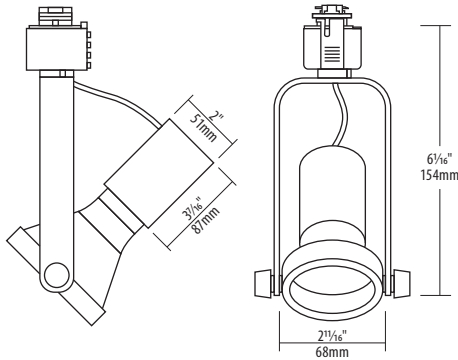
### Labels

- cULus listed.



## Description

The ATHENA is an adjustable, lightweight, high-styled, exposed lamp design, line voltage track lighting fixture. ATHENA provides a rear load lamping and allows for directional light source for special aiming and assures secure lock on angle position.




### Connector Compatibility Chart



**Notes:** Accessories should be ordered separately. For additional options please consult your Liteline representative. Juno is a registered trademark of Juno Lighting Group. Halo is a registered trademark of Cooper Lighting. Lightolier is a registered trademark of Philips.

Due to our continued efforts to improve our products, product specifications are subject to change without notice.

## Ordering Guide

Connector Type	- PAR220/20 -	Trim Finish	Pendant Style
<div style="border: 1px solid black; width: 100px; height: 20px; margin: 0 auto;"></div>		<div style="border: 1px solid black; width: 100px; height: 20px; margin: 0 auto;"></div>	<div style="border: 1px solid black; width: 100px; height: 20px; margin: 0 auto;"></div>
 <p>Leave blank for Liteline (TK)  <b>A</b> : A-Line (ATK)  <b>H</b> : Halo Compatible  <b>L</b> : Lightolier Compatible</p>		<p><b>BK</b> : Black  <b>BN</b> : Brushed Nickel  <b>WH</b> : White</p>	<p>Leave blank for no rod  <b>12</b> : 12" stem rod  <b>18</b> : 18" stem rod  <b>24</b> : 24" stem rod  <b>36</b> : 36" stem rod  <b>48</b> : 48" stem rod</p>

\* QuickShip lead time may vary for orders greater than 100 pieces. No additional shipment rates apply. Subject to availability.