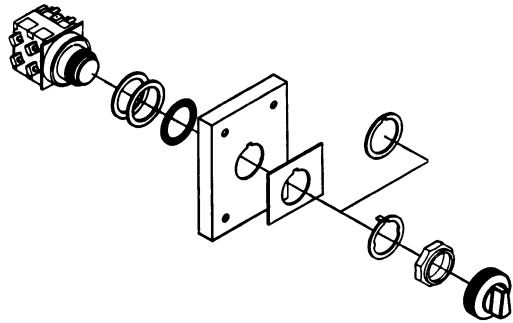


Non-illuminated Selector Switches, 4-position

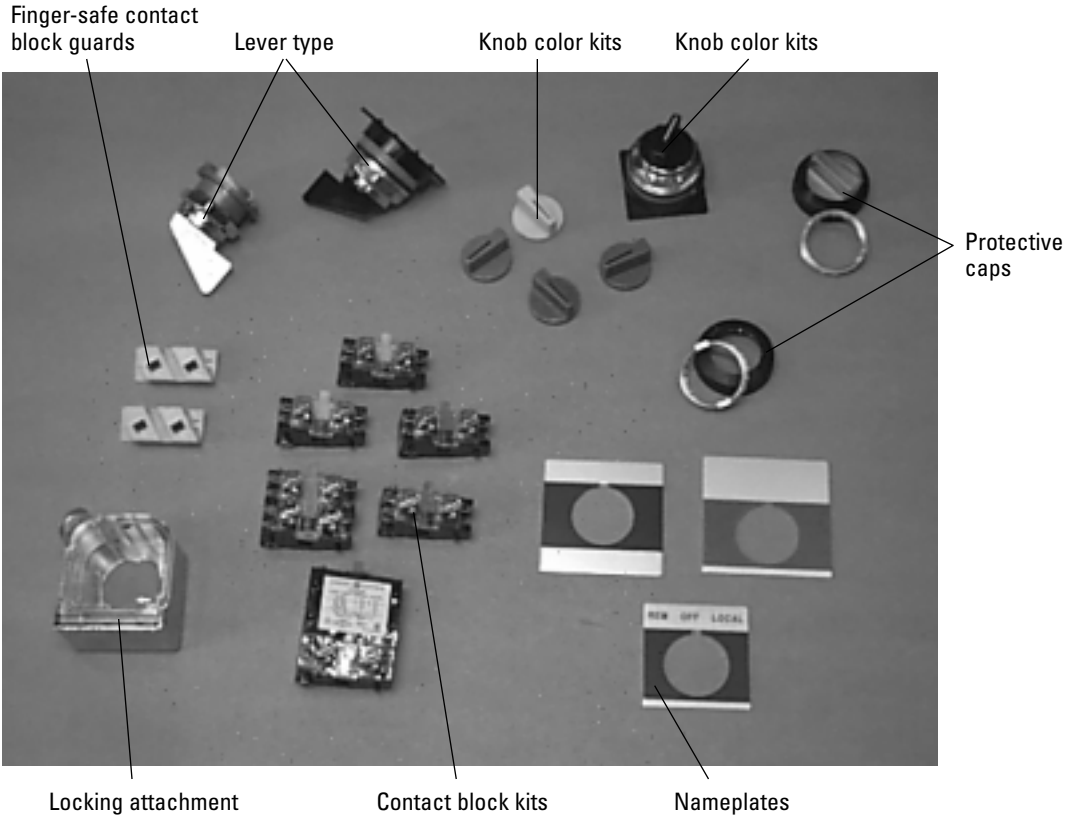


- Knob**
- Interchangeable design
 - 5 colors: red, green, yellow, blue, black + levers in black and chrome for gloved-hand operation

- Operator With Cam**
- 4-position forms

- Contact Blocks**
- Color coded for quick installation
 - Maximum of 2 double contact blocks
 - Visible contacts for easy, accurate inspections
 - Special applications: gold flashed, reed switch

Accessories



Non-illuminated Selector Switches, 4-position

Type							Maintained Operation & Cam		Color	Contacts			Key Removal	Key Type
C	R	1	0	4	P	S	4	7					Used only with key-operated selector switches	

G = Knob-operated
M = Lever-operated
K = Key-operated

Blank = None
00 = None (Key-operated)
92 = 2NO/2NC

Z = All (Maintained)
Blank = Knob- & Lever-operated

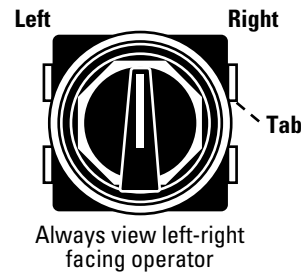
Blank = Standard
51 = CH501

Availability




	Knob	Lever	Key
A = Chrome		■	■
B = Black	■	■	
E = Yellow	■		
G = Green	■		
L = Blue	■		
R = Red	■		

Operation & Cam

Operator Position				Type Of Contact	Contact Mounting Position
Left ↙	Mid-left ↙	Mid-right ↗	Right ↗		
X	0	0	0	NC	Left
0	0	X	0	NO	Left
0	0	0	X	NC	Right
0	X	0	0	NO	Right



Special Forms

Item	Description	Catalog Number
	Special Mushroom-head Push Buttons Push-to-Latch, Turn-to-Release Protected (Metal Rim), Non-illuminated & Illuminated Push-Pull, Non-illuminated, 2- & 3-position Push-Pull, Illuminated, 2- & 3-position	CR104PTR... CR104PTY... CR104PBM... CR104PBT...
	Special Contact Blocks	Reed Switch Gold Flashed Early Close Late Open CR104PXC...
	Push-Turn Push Buttons 2- & 3-position	CR104..PT...
	Potentiometer Operators 2 Watt, 100 to 5MM Ohms	CR104PXP...