

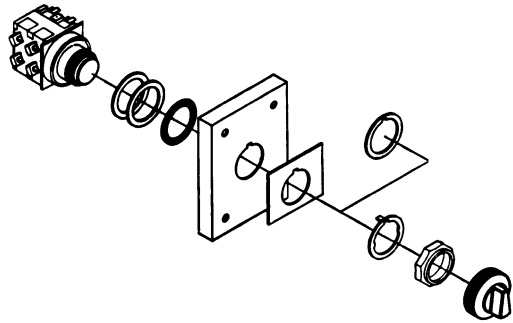
# Hot Buttons

Description			Catalog numbers				
			Assembled for maximum simplicity	Legend plate	Components for maximum flexibility		
					Operator	+	Contact block (or other component)
<b>PUSH BUTTONS</b>	START (Black)	1NO	CR104PBG10B1	CR104PXN1BP037	CR104PBG00B1 or CR104PBG00U1	+	CR104PXC1
	STOP (Red)	1NC	CR104PG01R1	CR104PXN1RP040	CR104PBG00R1 or CR104PBG00U1	+	CR104PXC01
Emergency stop (mushroom-head)	Push-pull	1NC	CR104PBM01R5C	CR104PXN2RP009	CR104PBM00R5C	+	CR104PXC01
Illuminated push-pull	120V transformer	1NO-1NC	CR104PBT11R5C2	—	CR104PBT11R5C	—	—
Illuminated, guarded	120V transformer	1NO-1NC	CR104PBT11G3S2	—	CR104PBT11A1S2	+	CR104PXL05R (lens) + CR104PXG04 (guard)
<b>SELECTOR SWITCHES</b>	OFF-ON (Black)	1NO-1NC	CR104PSG21B91	CR104PXN1BP057	CR104PSG21B	+	CR104PXC91
	HAND-OFF-AUTO (Black)	1NO-1NC	CR104PSG34B91	CR104PXN1BP070	CR104PSG34B	+	CR104PXC91
<b>PILOT LIGHTS</b>	Red (ON)	120V Full voltage	CR104PLG22R	CR104PXN1BP025	CR104PLG22A	+	CR104PXL01R
	Green (OFF)	120V Full voltage	CR104PLG22G	CR104PXN1BP024	CR104PLG22A	+	CR104PXL01G
	Red Push-To-Test (ON)	120V Transformer	CR104PLT32R	CR104PXN1BP025	CR104PLT32A	+	CR104PXL07R
	Green Push-To-Test (OFF)	120V Transformer	CR104PLT32G	CR104PXN1BP024	CR104PLT32A	+	CR104PXL07G

## Alternate buttons for local market needs

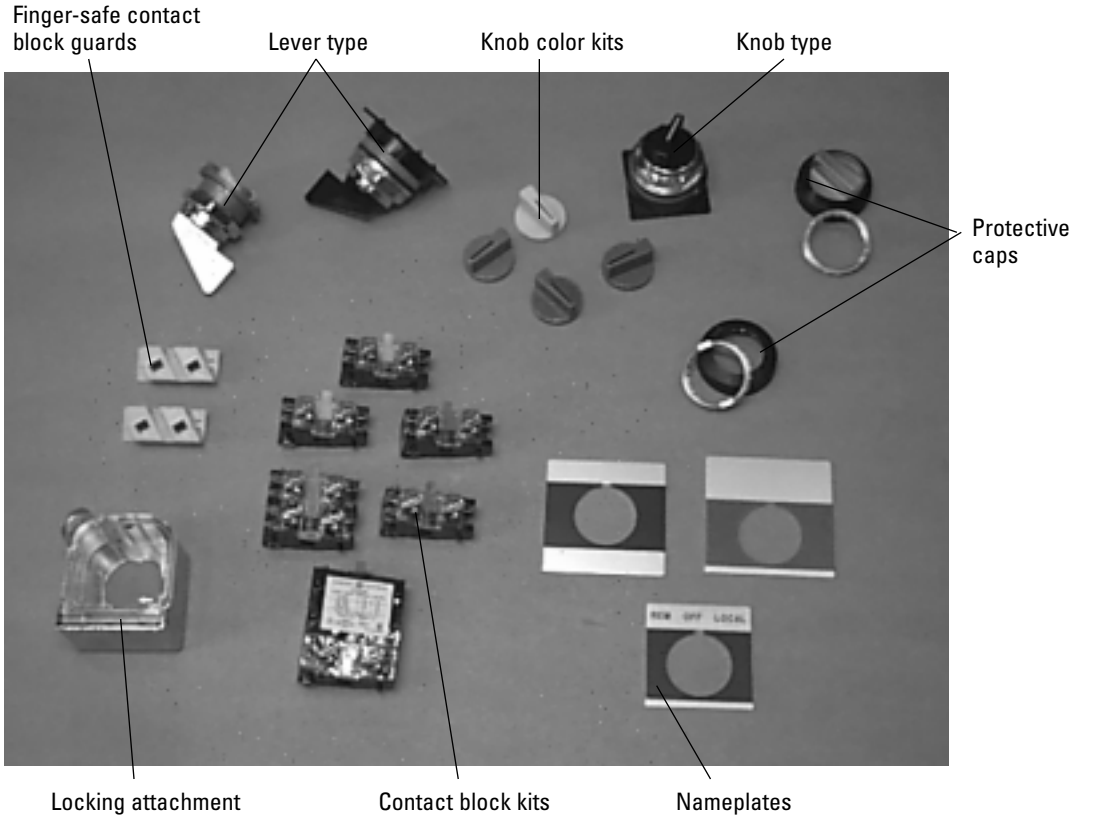
<b>PUSH BUTTONS</b>							
Emergency stop (mushroom-head)	Basic	1NC	CR104PBM01R5	CR104PXN2RP009	CR104PBM00R5	+	CR104PXC01
	Push/turn-to-release	1NC	CR104PTR20A0R01	CR104PXN2RP009	CR104PTR20A0R	+	CR104PXC01
<b>PILOT LIGHTS</b>	Red (ON)	120V Transformer	CR104PLG32R	CR104PXN1BP025	CR104PLG32A	+	CR104PXL01R
	Green (OFF)	120V Transformer	CR104PLG32G	CR104PXN1BP024	CR104PLG32A	+	CR104PXL01G
	Red Push-To-Test (ON)	120V Full voltage	CR104PLT22R	CR104PXN1BP025	CR104PLT22A	+	CR104PXL07R
	Green Push-To-Test (OFF)	120V Full voltage	CR104PLT22G	CR104PXN1BP024	CR104PLT22A	+	CR104PXL07G

# Non-illuminated Selector Switches, 3-position



- Knob**
  - Interchangeable design
  - 5 colors: red, green, yellow, blue, black + levers in black and chrome for gloved-hand operation
- Operator With Cam**
  - 3-position forms
  - Multiple cam configurations allow optimum versatility
  - Maintained and spring return forms
- Contact Blocks**
  - Color coded for quick installation
  - Maximum of 6 single or 6 double contact blocks
  - Visible contacts for easy, accurate inspections
  - Special applications: gold flashed, reed switch

## Accessories



### Non-illuminated Selector Switches, 3-position

						Type	Operation	Cam	Color	Contacts	Key Removal	Key Type
<b>C</b>	<b>R</b>	<b>1</b>	<b>0</b>	<b>4</b>	<b>P</b>	<b>S</b>						Used only with key-operated selector switches

**G** = Knob-operated  
**M** = Lever-operated  
**K** = Key-operated  
**3** = Maintained  
**7** = Spring return left  
**8** = Spring return right  
**9** = Spring return left & right

**2**  
**3**  
**4**  
**5**  
**6**

**Blank** = None  
**00** = None (Key-operated)  
**91** = 1NO/1NC  
**92** = 2NO/2NC

**Blank** = Standard  
**51** = CH501

**Availability**

**A** = Chrome  
**B** = Black  
**E** = Yellow  
**G** = Green  
**L** = Blue  
**R** = Red

	Knob	Lever	Key
A	■	■	■
B	■	■	
E	■		
G	■		
L	■		
R	■		

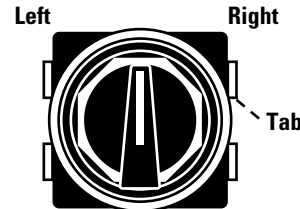
**Key removal**  
**C** = ↑  
**D** = ↖↑  
**L** = ↖  
**M** = ↖↗  
**R** = ↗  
**Q** = ↑↗  
**W** = ↖↑↗

**Availability**

	Spring return from			
	Maintained	Left ↖	Right ↗	L & R ↖↗
C	■	■	■	■
D	■		■	
L	■		■	
M	■			
R	■	■		
Q	■	■		
W	■			

**Cam**

Cam Code	Operator Position			Type Of Contact	Contact Mounting Position
	Left ↖	Center ↑	Right ↗		
2	0	X	0	NC	Left or Right
	X	0	0	NO	Left or Right
3	0	X	0	NC	Left or Right
	0	0	X	NO	Left or Right
4	X	0	0	NC	Left or Right
	0	0	X	NO	Left or Right
5	X	0	0	NC	Left
	0	X	0	NC	Right
	0	0	X	NO	Left or Right
6	X	X	0	NC	Left
	0	0	X	NO	Left
	0	X	X	NC	Right
	X	0	0	NO	Right



Always view left-right facing operator

**Tip for Quick Service:** Not all operator, cam and color combination variations are stock. Use 34B, 74B and 94B as samples for mechanical review.