

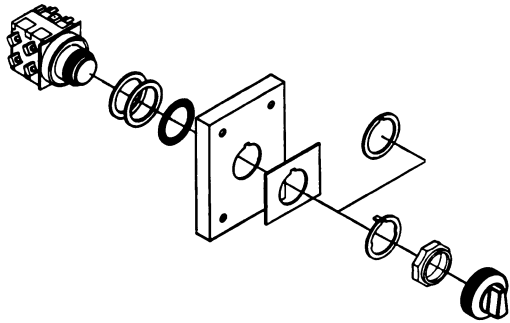
Hot Buttons

Description			Catalog numbers				
			Assembled for maximum simplicity	Legend plate	Components for maximum flexibility		
					Operator	+	Contact block (or other component)
PUSH BUTTONS	START (Black)	1NO	CR104PBG10B1	CR104PXN1BP037	CR104PBG00B1 or CR104PBG00U1	+	CR104PXC1
	STOP (Red)	1NC	CR104PG01R1	CR104PXN1RP040	CR104PBG00R1 or CR104PBG00U1	+	CR104PXC01
Emergency stop (mushroom-head)	Push-pull	1NC	CR104PBM01R5C	CR104PXN2RP009	CR104PBM00R5C	+	CR104PXC01
Illuminated push-pull	120V transformer	1NO-1NC	CR104PBT11R5C2	—	CR104PBT11R5C	—	—
Illuminated, guarded	120V transformer	1NO-1NC	CR104PBT11G3S2	—	CR104PBT11A1S2	+	CR104PXL05R (lens) + CR104PXG04 (guard)
SELECTOR SWITCHES	OFF-ON (Black)	1NO-1NC	CR104PSG21B91	CR104PXN1BP057	CR104PSG21B	+	CR104PXC91
	HAND-OFF-AUTO (Black)	1NO-1NC	CR104PSG34B91	CR104PXN1BP070	CR104PSG34B	+	CR104PXC91
PILOT LIGHTS	Red (ON)	120V Full voltage	CR104PLG22R	CR104PXN1BP025	CR104PLG22A	+	CR104PXL01R
	Green (OFF)	120V Full voltage	CR104PLG22G	CR104PXN1BP024	CR104PLG22A	+	CR104PXL01G
	Red Push-To-Test (ON)	120V Transformer	CR104PLT32R	CR104PXN1BP025	CR104PLT32A	+	CR104PXL07R
	Green Push-To-Test (OFF)	120V Transformer	CR104PLT32G	CR104PXN1BP024	CR104PLT32A	+	CR104PXL07G

Alternate buttons for local market needs

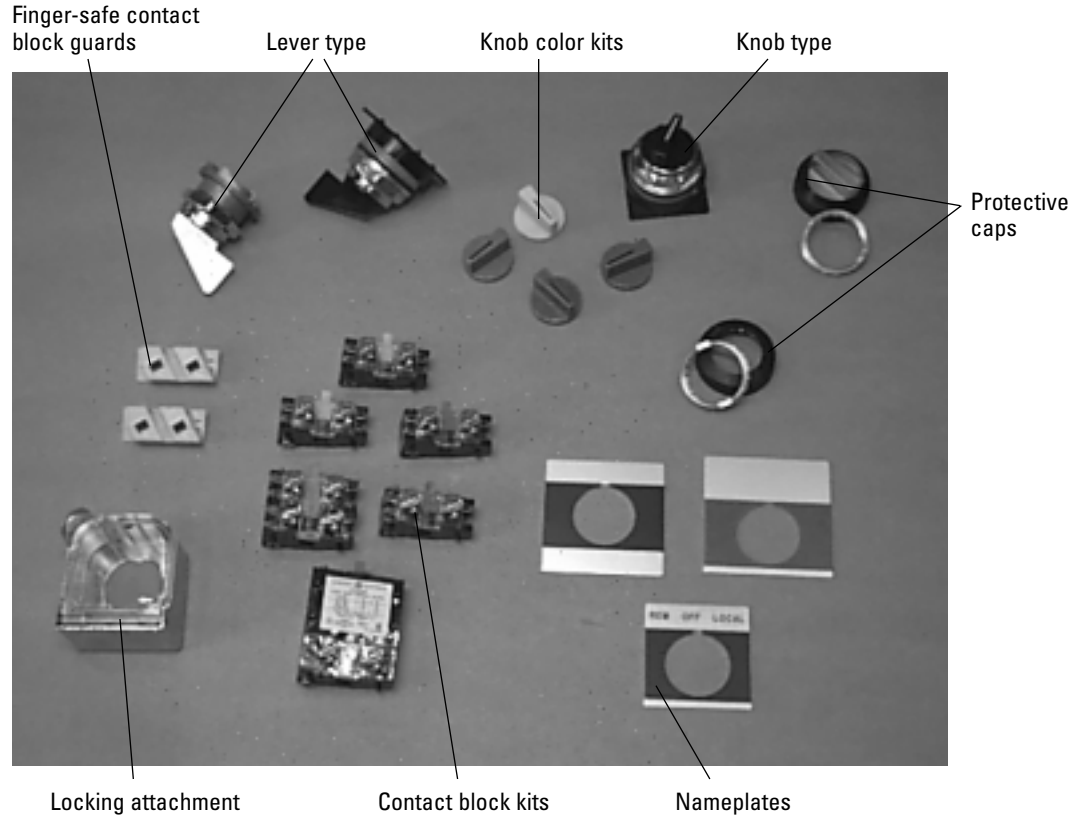
PUSH BUTTONS							
Emergency stop (mushroom-head)	Basic	1NC	CR104PBM01R5	CR104PXN2RP009	CR104PBM00R5	+	CR104PXC01
	Push/turn-to-release	1NC	CR104PTR20A0R01	CR104PXN2RP009	CR104PTR20A0R	+	CR104PXC01
PILOT LIGHTS	Red (ON)	120V Transformer	CR104PLG32R	CR104PXN1BP025	CR104PLG32A	+	CR104PXL01R
	Green (OFF)	120V Transformer	CR104PLG32G	CR104PXN1BP024	CR104PLG32A	+	CR104PXL01G
	Red Push-To-Test (ON)	120V Full voltage	CR104PLT22R	CR104PXN1BP025	CR104PLT22A	+	CR104PXL07R
	Green Push-To-Test (OFF)	120V Full voltage	CR104PLT22G	CR104PXN1BP024	CR104PLT22A	+	CR104PXL07G

Non-illuminated Selector Switches, 2-position



- Knob**
 - Interchangeable design
 - 5 colors: red, green, yellow, blue, black + levers in black and chrome for gloved-hand operation
- Operator With Cam**
 - 2-position forms
 - Multiple cam configurations allow optimum versatility
 - Maintained and spring return forms
- Contact Blocks**
 - Color coded for quick installation
 - Maximum of 6 single or 6 double contact blocks
 - Visible contacts for easy, accurate inspections
 - Special applications: gold flashed, reed switch

Accessories



Non-illuminated Selector Switches, 2-position

Type		Operation & Cam			Color	Contacts		Key Removal	Key Type
C	R	1	0	4	P	S			Used only with key-operated selector switches

G = Knob-operated
M = Lever-operated
K = Key-operated

12 = Spring Return From Left
21 = Maintained
63 = Spring Return From Right

Blank = None
00 = None (Key-operated only)
91 = 1NO/1NC
92 = 2NO/2NC

Blank = Standard
51 = CH501

A = Chrome
B = Black
E = Yellow
G = Green
L = Blue
R = Red

Availability		
Knob	Lever	Key
■	■	■
■	■	
■		
■		
■		

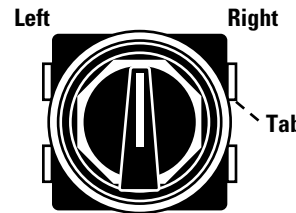
Key removal
C = ↑
L = ↖
M = ↖ ↗
R = ↗

Availability	
Maintained	Spring return to center ↑
	■
■	
■	
■	

Operation & Cam

Operation	Operator Position			Type Of Contact	Contact Mounting Position
	Left ↖	Center ↑	Right ↗		
Spring return from left (12)	0	X		NC	Left or Right
	X	0		NO	Left or Right
Maintained (21)	X		0	NC	Left or Right
	0		X	NO	Left or Right
Spring return from right (63)		X	0	NC	Left or Right
		0	X	NO	Left or Right

Note: When using double contact block 91, NC contact is that closest to and mounted on the left side of the operator. When using double contact block 92, NC contact is that closest to the operator on each side.



Always view left-right facing operator

Tip for Quick Service: For small quantity orders of 2-position selector switches with contact configurations other than 91 or 92, order operator and contact blocks separately. Cam 12 is normally stocked with black knob; cam 21 is normally stocked with black knob or chrome lever.