

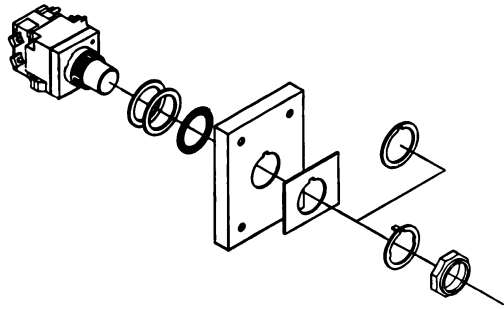
Hot Buttons

Description			Catalog numbers				
			Assembled for maximum simplicity	Legend plate	Components for maximum flexibility		
					Operator	+	Contact block (or other component)
PUSH BUTTONS	START (Black)	1NO	CR104PBG10B1	CR104PXN1BP037	CR104PBG00B1 or CR104PBG00U1	+	CR104PXC1
	STOP (Red)	1NC	CR104PG01R1	CR104PXN1RP040	CR104PBG00R1 or CR104PBG00U1	+	CR104PXC01
Emergency stop (mushroom-head)	Push-pull	1NC	CR104PBM01R5C	CR104PXN2RP009	CR104PBM00R5C	+	CR104PXC01
Illuminated push-pull	120V transformer	1NO-1NC	CR104PBT11R5C2	—	CR104PBT11R5C	—	—
Illuminated, guarded	120V transformer	1NO-1NC	CR104PBT11G3S2	—	CR104PBT11A1S2	+	CR104PXL05R (lens) + CR104PXG04 (guard)
SELECTOR SWITCHES	OFF-ON (Black)	1NO-1NC	CR104PSG21B91	CR104PXN1BP057	CR104PSG21B	+	CR104PXC91
	HAND-OFF-AUTO (Black)	1NO-1NC	CR104PSG34B91	CR104PXN1BP070	CR104PSG34B	+	CR104PXC91
PILOT LIGHTS	Red (ON)	120V Full voltage	CR104PLG22R	CR104PXN1BP025	CR104PLG22A	+	CR104PXL01R
	Green (OFF)	120V Full voltage	CR104PLG22G	CR104PXN1BP024	CR104PLG22A	+	CR104PXL01G
	Red Push-To-Test (ON)	120V Transformer	CR104PLT32R	CR104PXN1BP025	CR104PLT32A	+	CR104PXL07R
	Green Push-To-Test (OFF)	120V Transformer	CR104PLT32G	CR104PXN1BP024	CR104PLT32A	+	CR104PXL07G

Alternate buttons for local market needs

PUSH BUTTONS							
Emergency stop (mushroom-head)	Basic	1NC	CR104PBM01R5	CR104PXN2RP009	CR104PBM00R5	+	CR104PXC01
	Push/turn-to-release	1NC	CR104PTR20A0R01	CR104PXN2RP009	CR104PTR20A0R	+	CR104PXC01
PILOT LIGHTS	Red (ON)	120V Transformer	CR104PLG32R	CR104PXN1BP025	CR104PLG32A	+	CR104PXL01R
	Green (OFF)	120V Transformer	CR104PLG32G	CR104PXN1BP024	CR104PLG32A	+	CR104PXL01G
	Red Push-To-Test (ON)	120V Full voltage	CR104PLT22R	CR104PXN1BP025	CR104PLT22A	+	CR104PXL07R
	Green Push-To-Test (OFF)	120V Full voltage	CR104PLT22G	CR104PXN1BP024	CR104PLT22A	+	CR104PXL07G

Pilot Lights



Lens Cap

- Interchangeable, threaded-on design
- 6 colors: red, green, yellow, amber, blue, white + clear

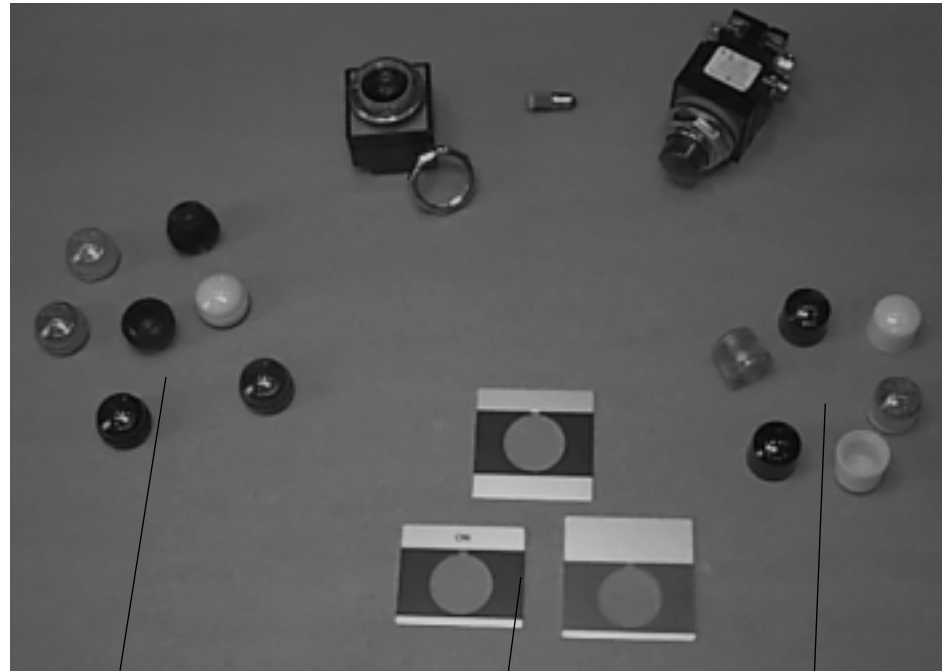
Lamp

- Incandescent, LED, neon

Power Supply

- 3 types: Full voltage, transformer, resistor
- Standard or push-to-test

Accessories



Lens kits, pilot lights

Nameplates

Lens kits, push-to-test pilot lights

							Type	Power Supply/ Lamp Type	Voltage	Lens Color
C	R	1	0	4	P	L				

G = Standard
T = Push-to-test
1 = Full Voltage Incandescent, Bayonet Socket
2 = Full Voltage Incandescent, Slide Base (120V only)
3 = Transformer
4 = Resistor
5 = Full Voltage Flashing
6 = Transformer Flashing
7 = Full Voltage Neon
8 = Full Voltage LED
2 = 120V
3 = 240V
4 = 480V
5 = 600V
6 = 6V
7 = 12V
8 = 24V
Blank = No lens
C = Clear
E = Yellow
G = Green
L = Blue
M = Amber
R = Red
W = White

Available Combinations

Power Supply & Lamp	Lens Color Code	Voltage						
		6	12	24	120	240	480	600
Full Voltage Incandescent, Bayonet Socket	All	■	■	■	■			
Full Voltage Incandescent, Slide Base	All				■			
Transformer	All				■	■	■	■
Full Voltage Resistor	All				■	■		
Full Voltage Flashing	All	■						
Transformer Flashing	All				■	■	■	■
Full Voltage Neon	R,W,C				■			
Full Voltage LED	E,G,M,R	■	■	■	■			

Tip for Quick Service: For small quantity orders of units with lens colors other than red or green, order operator without lens and lens separately.