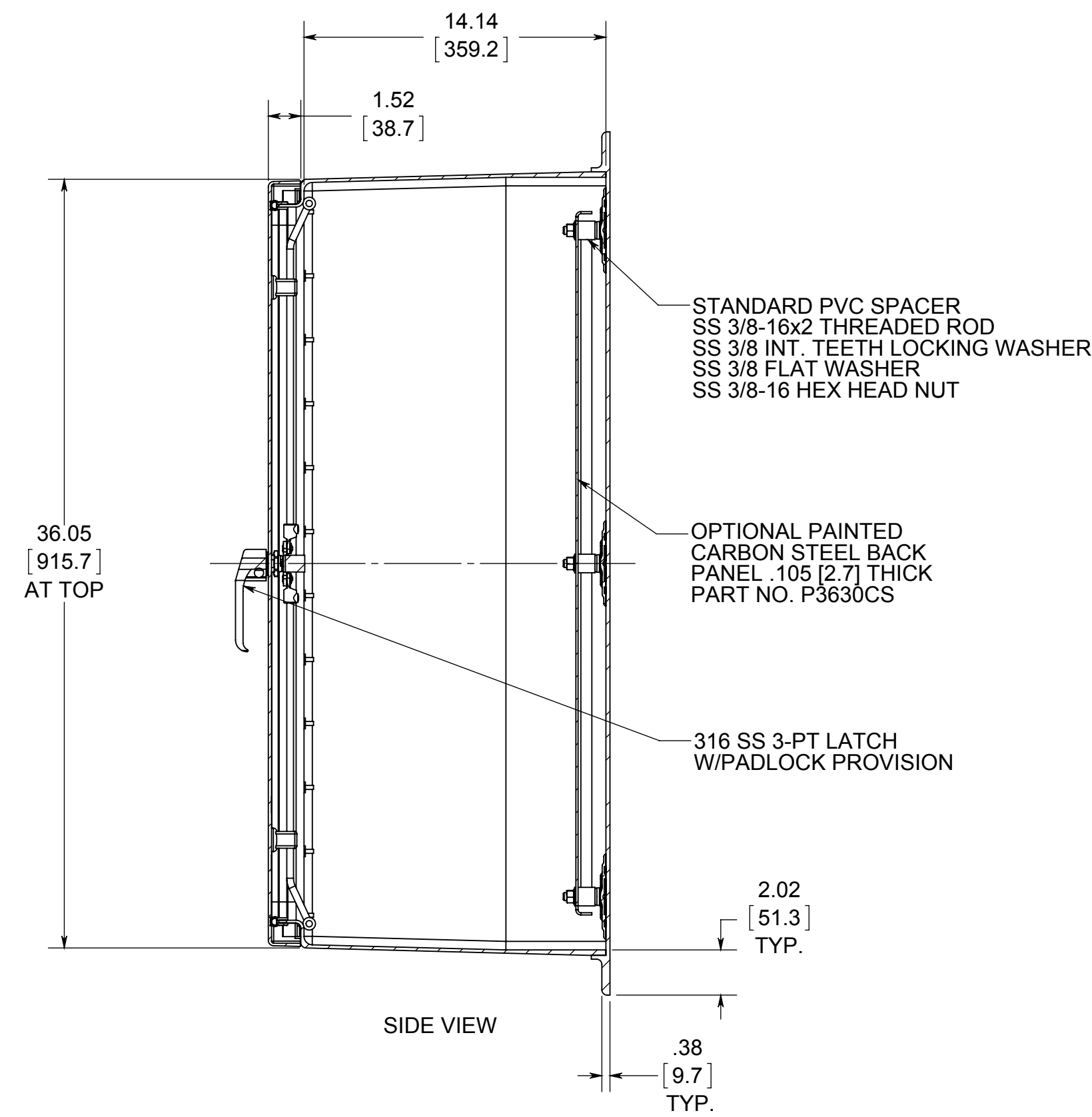
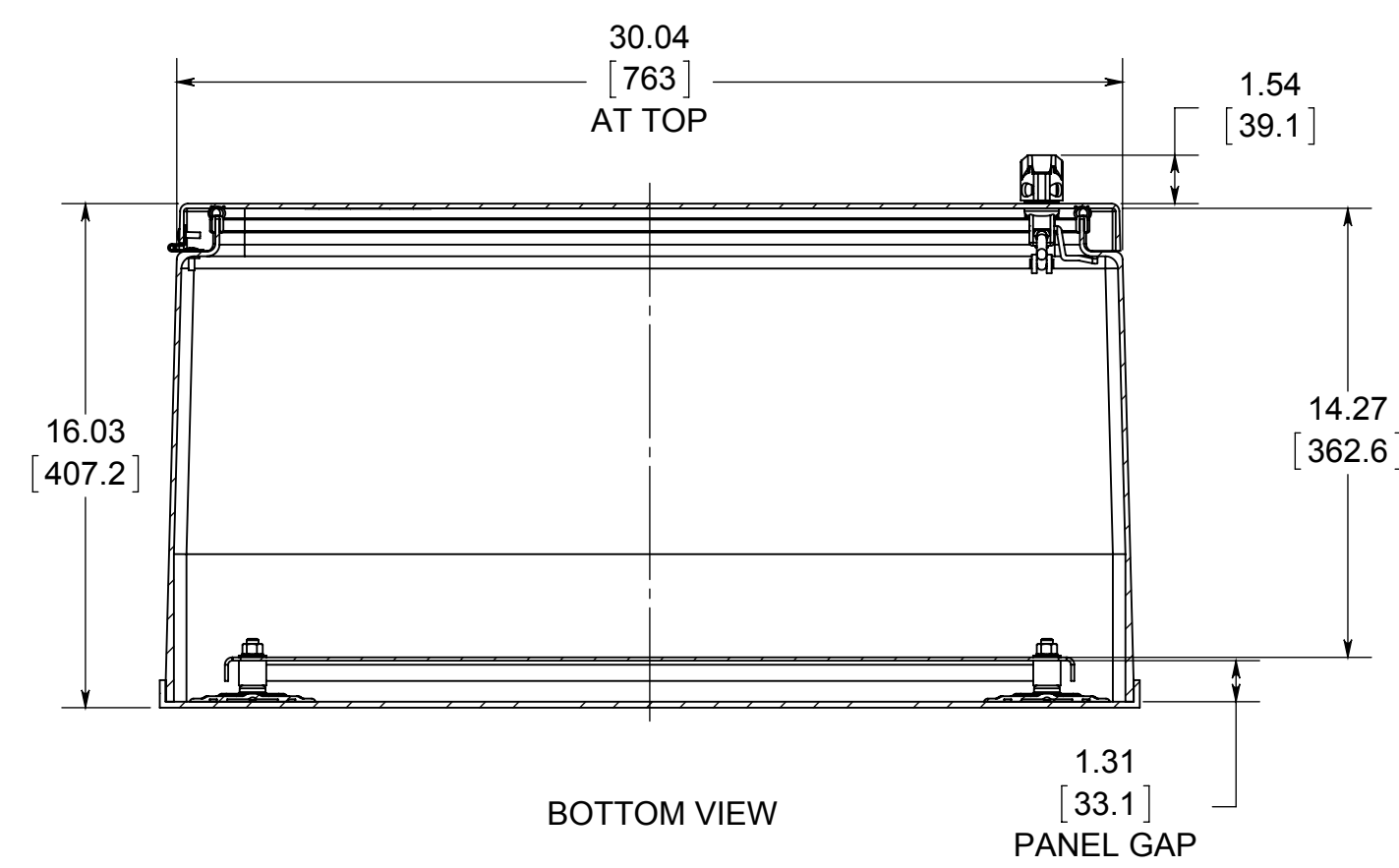


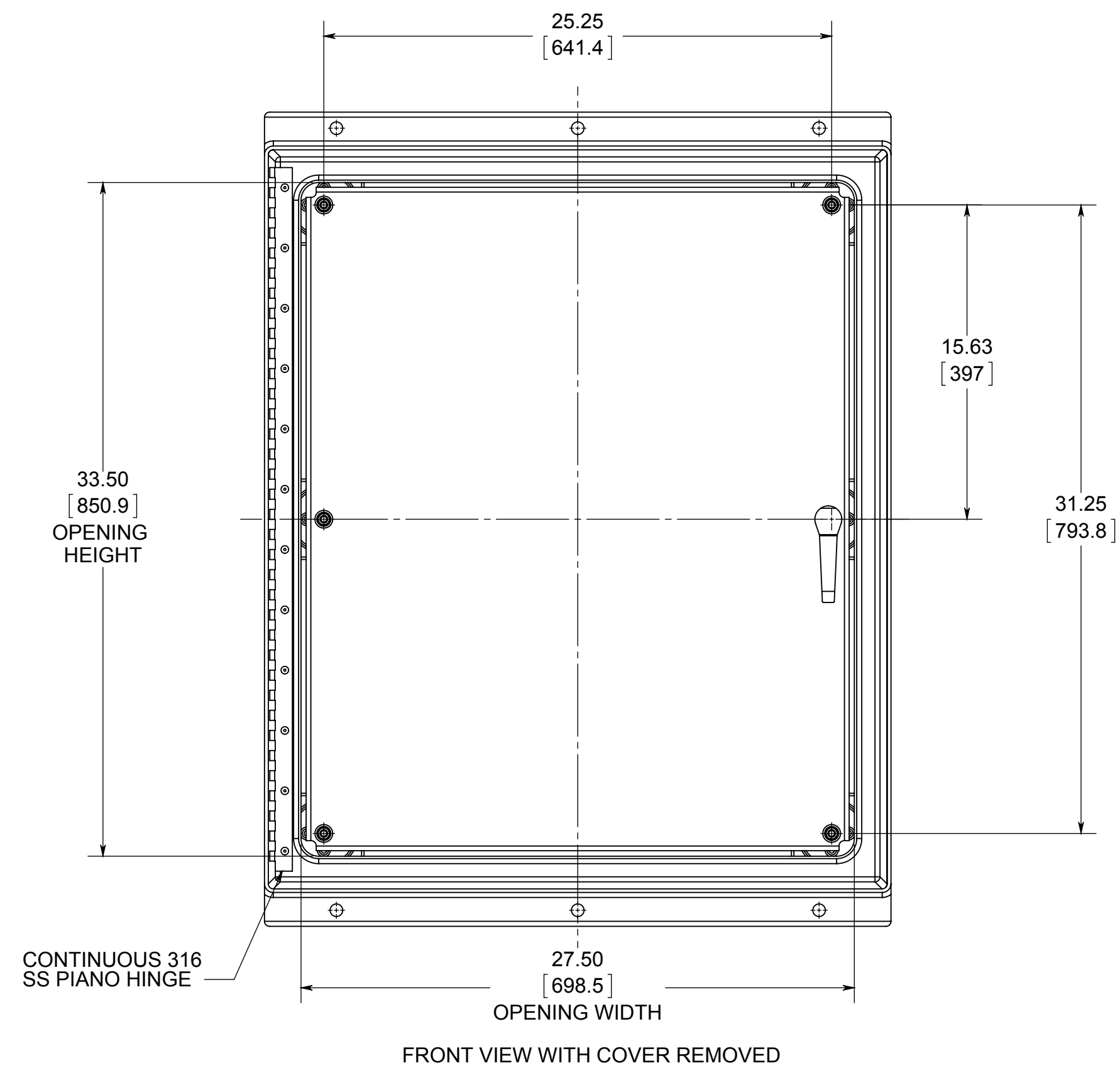
FRONT VIEW WITH COVER



SIDE VIEW



BOTTOM VIEW

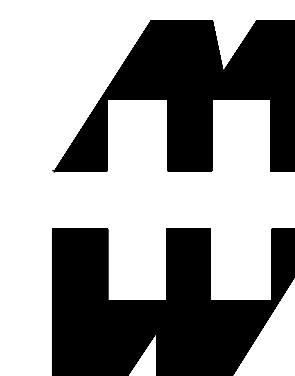


FRONT VIEW WITH COVER REMOVED

NOM. .19 [4.8] WALL THICKNESS

MATERIAL:

BOX- FEL-COAT, FIBERGLASS, RESIN
 COVER- GEL-COAT, FIBERGLASS, RESIN
 EPDM GASKET SEAL



PART No. PJW363014L3PT

for more information visit
www.hammfg.com

Data subject to change without notice

Drawing Not to Scale