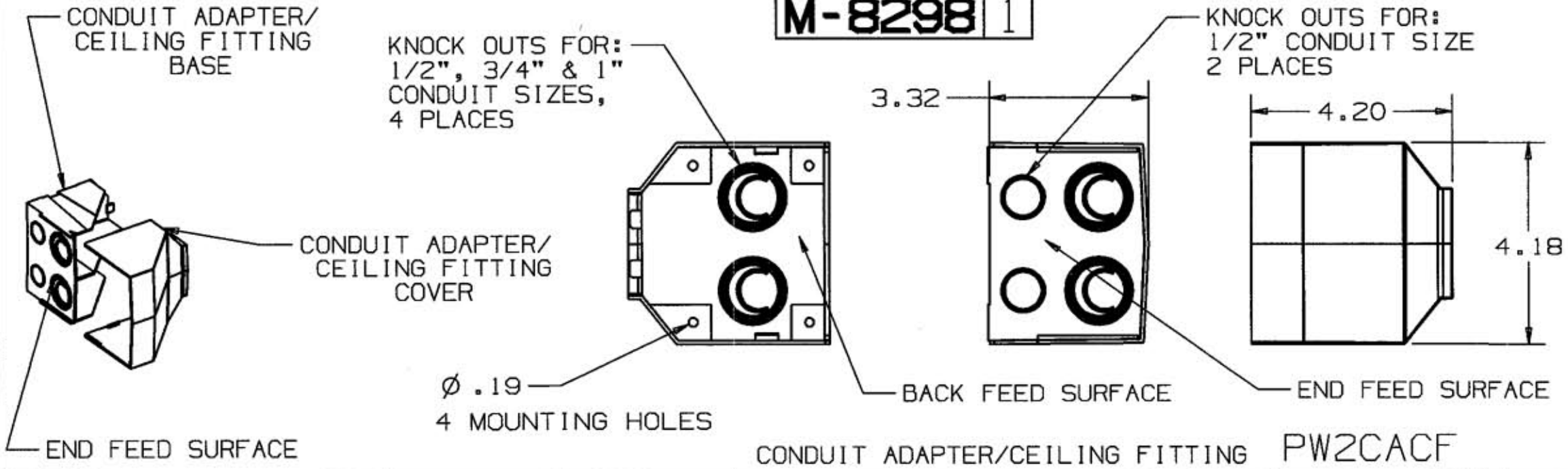
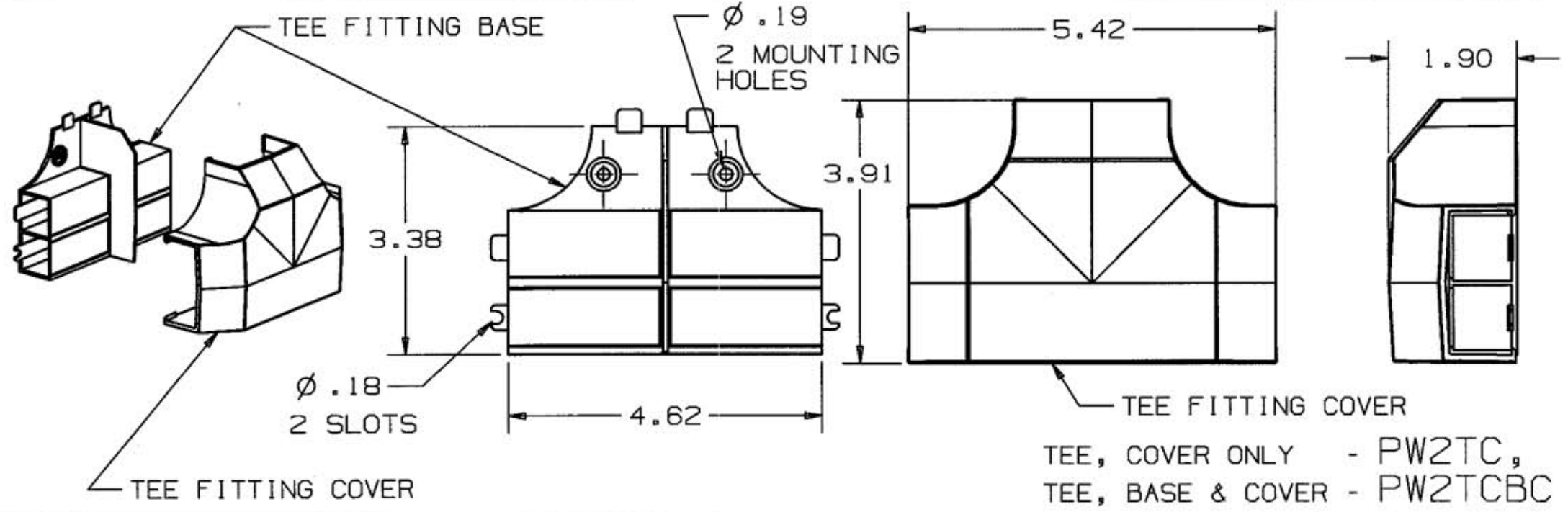


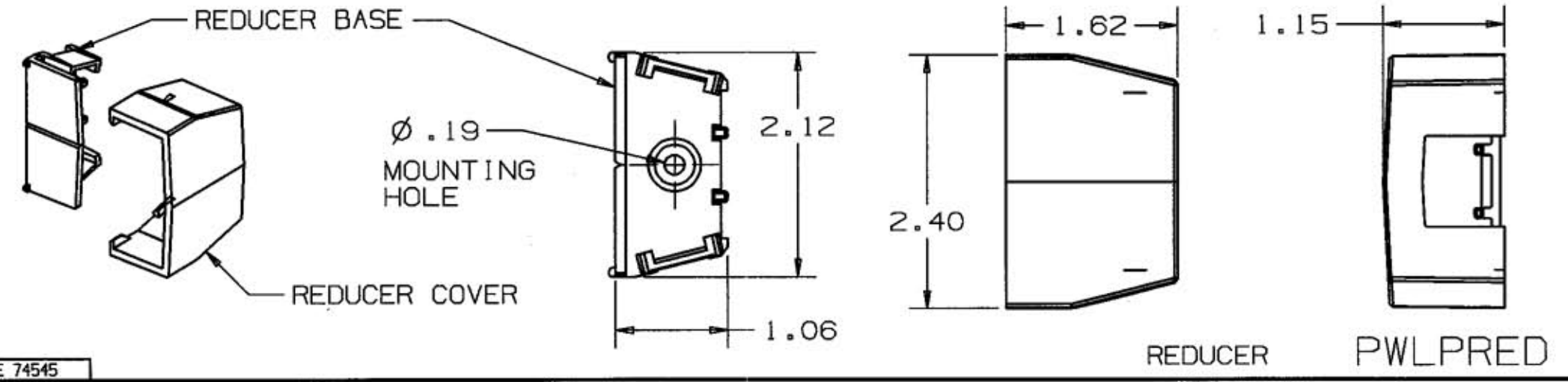
M-8298 1



CONDUIT ADAPTER/CEILING FITTING PW2CACF



TEE, COVER ONLY - PW2TC,
TEE, BASE & COVER - PW2TCBC



REDUCER PWLPRD

LIST OF PARTS

DESCRIPTION	MATERIAL	FINISH
CONDUIT/CEIL. ADAPT. BASE	PVC	OFFICE WHITE
CONDUIT/CEIL. ADAPT. COVER	PVC	OFFICE WHITE
TEE FITTING BASE	PVC	OFFICE WHITE
TEE FITTING COVER	PVC	OFFICE WHITE
REDUCER BASE	PVC	OFFICE WHITE
REDUCER COVER	PVC	OFFICE WHITE

SYM	REVISIONS	APP	DATE
2	ON TEE BASE, ADDED ϕ .18 2 SLOTS, REDUCER COVER WAS 2.32 W X 1.11 THK DCN8267	SRE	12/22/00
1	RELEASED PER DCN 8068	SRE	10/13/00

THE DESIGN AND DIMENSIONS OF THE PRODUCT SHOWN ON THIS DRAWING ARE SUBJECT TO CHANGE WITHOUT NOTICE

TITLE
ADAPTERS,
PW2 WALLTRAK

TOLERANCES UNLESS OTHERWISE SPECIFIED FRACTIONS $\pm 1/64$ DECIMALS $\pm .005$ ANGLES $\pm 2^\circ$	WIRING DEVICE-KELLEMS HUBBELL INCORPORATED BRIDGEPORT, CT	
	DR. BY SRE	APP. BY SRE
	TR. BY	SCALE ---
	CHK'D BY SRE	DATE 4/20/00

DIMENSION SHEET FOR CAT. NO.

REPAIRABLE NON-REPAIRABLE

B M-8298

1