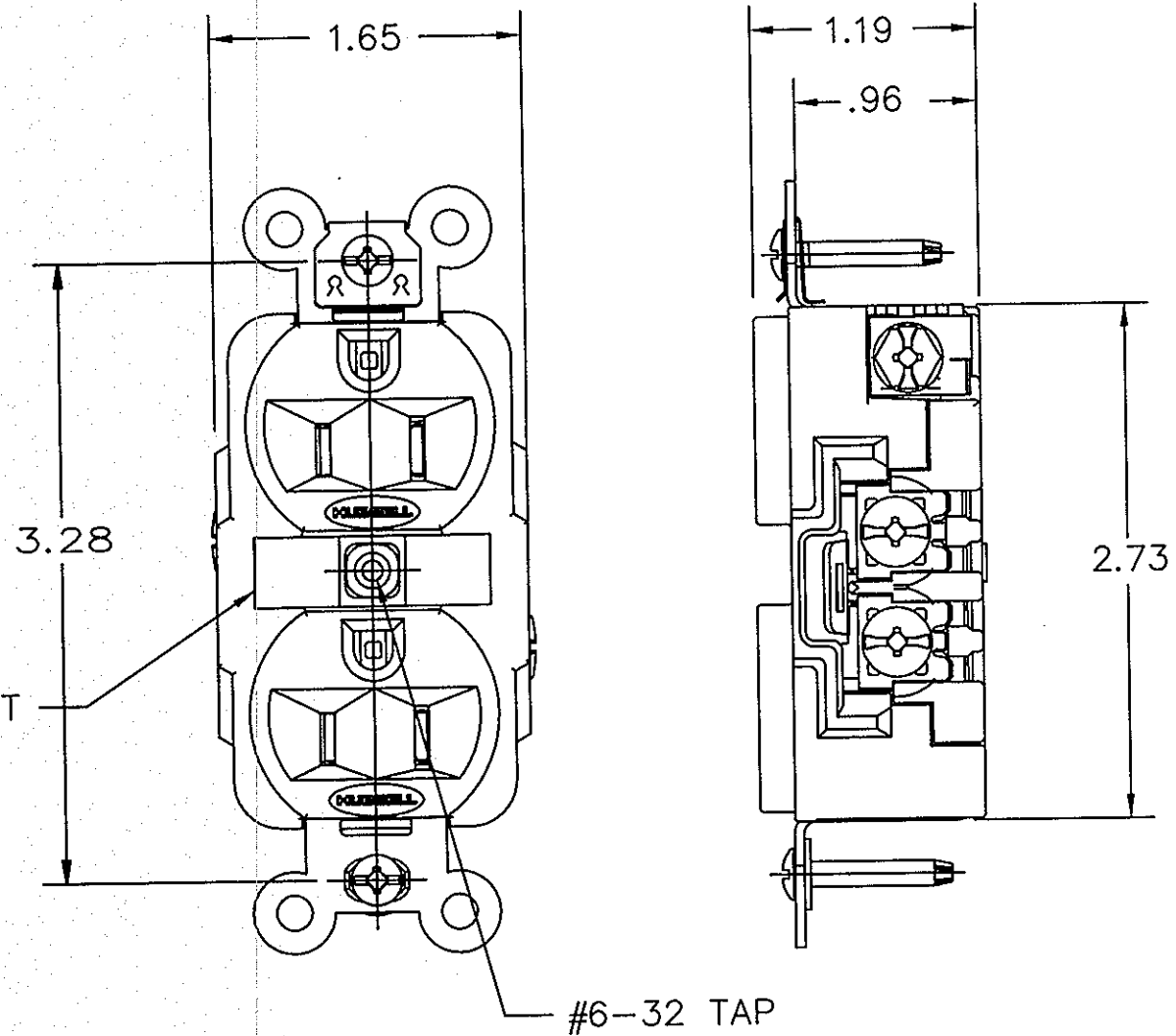
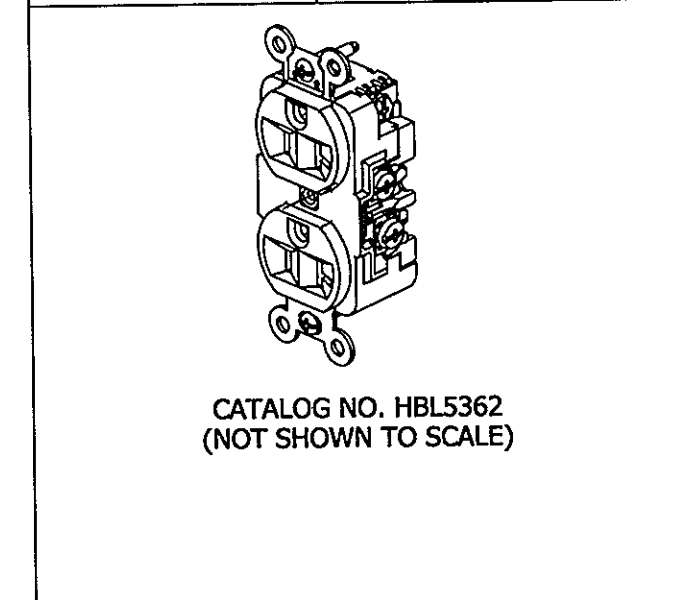


M-8225 4



LIST OF PARTS		
DESCRIPTION	MATERIAL	FINISH
FACE	NYLON	
BRIDGE	BRASS	SEE NOTE 1
CONTACTS	BRASS	SEE NOTE 1
CLAMP PLATES	BRASS	SEE NOTE 1
BASE	REINF. POLYESTER	
WASHER	FIBER	
GROUND CLIP	STAIN. STL.	
MOUNTING SCREWS	STEEL	SEE NOTE 1
RIVET	BRASS	SEE NOTE 1
BINDING SCREWS	BRASS	

DIMENSION SHEET FOR CAT. NO. M-8225  
 REPAIRABLE  NON-REPAIRABLE



4	ADDED ISO VIEW TO INDICATE SOLID MODEL DRAWING PER DCN 21895 DDL	DJP	02/25/16
3	6/25/01 ADDED NOTE 1 TO DWG. IN TABLE, ADDED "CORROSION RESISTANT SEE NOTE 1" TITLE TO YELLOW AND IVORY. ADDED "SEE NOTE 1" TO BILL OF MATERIAL. PER DCN 8698 SPN	DB	6/26/01
2	ADDED ID LABELS & TABLE PER DCN #7773. AMZ	DB	7/25/00
1	RELEASED PER DCN7433	NB	2/9/00
SYM	REVISIONS	APP	DATE

CORROSION RESISTANT (SEE NOTE 1)		HEAVY DUTY INDUSTRIAL						CONFIGURATION	RATING
YELLOW	IVORY	BROWN	BLACK	GRAY	IVORY	RED	WHITE		
HBL52CM62	HBL52CM62I	HBL5262	HBL5262BK	HBL5262GY	HBL5262I	HBL5262R	HBL5262W		15A, 125V
HBL53CM62	_____	HBL5362	HBL5362BK	HBL5362GY	HBL5362I	HBL5362R	HBL5362W		20A, 125V
_____	_____	HBL5662	_____	_____	HBL5662I	_____	_____		15A, 250V
_____	_____	HBL5462	_____	HBL5462GY	HBL5462I	_____	_____		20A, 250V

NOTE 1: THE CM VERSION RECEPTACLES HAVE NICKEL PLATED BRASS BRIDGES. CLAMP PLATES AND CONTACTS ARE BRASS WITH NICKEL-TIN PLATING. MOUNTING SCREWS ARE STAINLESS STEEL AND RIVETS ARE SILICON BRONZE.

THE DESIGN AND DIMENSIONS OF THE PRODUCT SHOWN ON THIS DRAWING ARE SUBJECT TO CHANGE WITHOUT NOTICE

TITLE  
**DUPLEX RECEPTACLE**

TOLERANCES UNLESS OTHERWISE SPECIFIED  
 .XX = ±.01  
 .XXX = ±.005  
 ANGLES = ±2°

WIRING DEVICE—KELLEMS HUBBELL INCORPORATED SHELTON, CT

DR. BY	SRE	APP. BY	NB
TR. BY		SCALE	1:1
CHK. BY	NB	DATE	2/9/00