

30 Amp, 125/250 and 3Ø 250 Volts AC
3 Pole, 3 Wire, Non-Grounding and 3 Pole, 4 Wire, Grounding



30A 125/250V AC NEMA L10-30P	30A 125/250V AC NEMA L14-30P 2 (2) HP	30A 3Ø 250V AC NEMA L15-30P 3 HP
---------------------------------	---	--



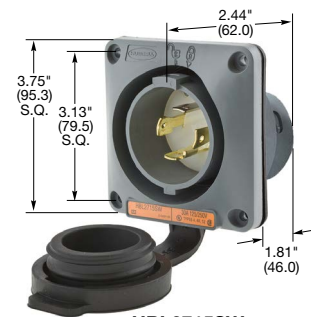
HBL2711SW



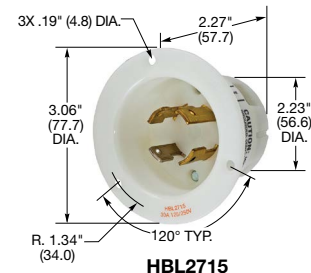
HBL2711S



HBL2711



HBL2715SW



HBL2715



HBL2715M3

Plugs

Watertight Safety-Shroud®

Description	Cord Dia.	Catalog Number	IP66 SUITABILITY	UL Type 4x, 12
Black Valox® housing, white Valox® clamps.	.350"-1.150" (9-29)	-	HBL2711SW	HBL2721SW

Safety-Shroud®

Description	Cord Dia.	Catalog Number	IP20 SUITABILITY
Black and white nylon body, white Valox® shroud. Can be used with the Insulgrip Connector Bodies.	.350"-1.150" (9-29)	-	HBL2711S HBL2721S

Note: See page B-40 for accessories.

Insulgrip®

Description	Cord Dia.	Catalog Number	IP20 SUITABILITY
Black and white nylon.	.350"-1.150" (9-29)	-	HBL2711 HBL2721
Black and white nylon, spring termination.	.350"-1.150" (9-29)	-	HBL2711ST HBL2721ST
Black and white nylon, (Not shown).	.300"- .950" (7.6-24.1)	HBL2661	- -
Corrosion resistant, yellow nylon.	.350"-1.150" (9-29)	-	HBL27CM11 HBL27CM21
All black nylon.	.350"-1.150" (9-29)	-	HBL2711BK -

Note: See page B-52 for accessories.

Flanged Inlets

Watertight Safety-Shroud®

Description	Catalog Number	IP66 SUITABILITY	UL Type 4x, 12
Gray Valox® housing and flange.	-	HBL2715SW	HBL2725SW
Reverse service, gray Valox® housing and flange (use with HBL2713SR), (Not shown).	-	HBL2715SWR	-

Note: See page B-54 for accessories.

Insulgrip®

Description	Catalog Number	IP20 SUITABILITY
Nylon casing, back wired.	-	HBL2715 HBL2725
Nylon casing, spring termination.	-	HBL2715ST HBL2725ST
Nylon casing, back wired, (Not shown).	HBL2665	- -
Nylon casing, weather protective, die cast aluminum, back wired, self closing lift cover.	-	HBL2715M3 -

Note: See page B-52 for accessories.

See pages B-69 and B-70 for technical information on Twist-Lock and Watertight Safety-Shroud devices.

HBLMITL - For use with Watertight Safety-Shroud receptacles and reverse service inlet, see page B-41.



Dimensions in Inches (mm)

Valox® is a trademark of SABIC Innovative Plastics, acquired from General Electric Company.