



Heat Trace Cable



Texcan is now stocking Drexan Heat Trace Cable!

Applications:

Heat Trace Cable is used in residential, commercial and industrial applications for both metal and plastic pipes. The cable is self-regulating and provides a convenient and reliable freeze protection in hazardous and non-hazardous locations.

Features / Application Information:

- CSA
- With suitable protection, will prevent freezing for underground and overhead pipes
- Self-regulating and energy efficient
- For use on metal or plastic pipes
- SJP- Polyolefin-Roof & Gutter or Industrial up to 85C
- SJ- Fluoropolymer- Industrial- Exposure to Chemicals or corrosives up to 85C.
- Cables are certified for both Hazardous and Non-hazardous locations.
- Higher temperature heat trace cables available upon request

Sizes:

Part Number	Description
83D-OT-5 1 SJP or SJ	120V 5W
83D-OT-8-1 SJP or SJ	120V 8W
83D-OT-10-1 SJP or SJ	120V 10W
83D-OT-5-2SJP or SJ	240V 5W
83D-OT-8-2SJP or SJ	240V 8W
83D-OT-10-2SJP or SJ	240V 10W

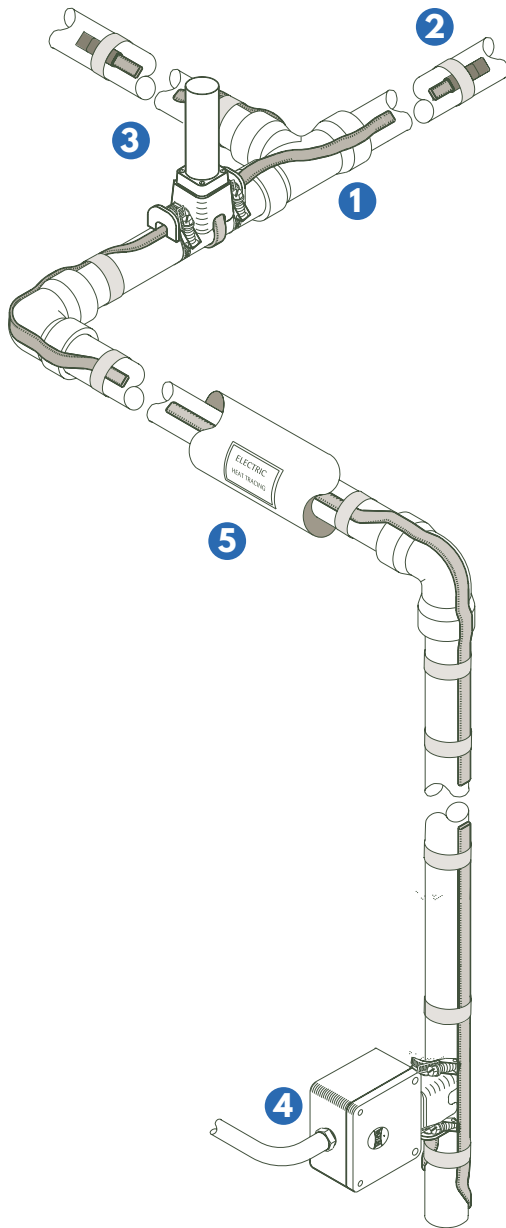
We carry one of the largest inventories of industrial, commercial and residential wires and cables in Canada.

For info about our products and services: www.texcan.com

Heat Trace Cable

Basic Components:

A pipe freeze protection system that uses Drexan Omnitrace heating cable will typically include heating cable and components shown in the illustration below.



Cable

Ref #	Part Number	Description
1	83D-OT-5 1 SJP or SJ	5 W/FT @ 120V
1	83D-OT-8-1 SJP or SJ	8 W/FT @ 120V
1	83D-OT-10-1 SJP or SJ	10 W/FT @ 120V
1	83D-OT-5-2SJP or SJ	5 W/FT @ 240V
1	83D-OT-8-2SJP or SJ	8 W/FT @ 240V
1	83D-OT-10-2SJP or SJ	10 W/FT @ 240V

Termination Kits

Ref #	Part Number	Description
2	83D-HS-ESK	End Seal / 5 piece per package
	83D-HS-TSPLICE	T-Splice Heat Shrink (Under Insulation)
3	83D-AMIGA-LE	Lighted End Seal Kit
3	83D-AMIGA-E	High Profile End Seal
4	83D-AMIGA-1	Power Connection Kit
4	83D-AMIGA-3	Power/Tee (Power up to 3 heaters)
4	83D-HS-PC	Heat Shrink Power Connection kit c/w End Seal, w/o Junction Box
4	83D-HS-JB	Non-metallic Junction Box

Installation Accessories

Ref #	Part Number	Description
5	83D-WARN-EN/FR	Warning Labels
	83D-TAPE-AL	Alum Tape used on Plastic Piping (PEX)
	83D-TAPE-GCR-HT	Fiberglass Tape is for Metal Pipes

We carry one of the largest inventories of industrial, commercial and residential wires and cables in Canada.

For info about our products and services: www.texcan.com

When others can't, TEXCAN

WIRE & CABLE SPECIALISTS SINCE 1978

Building Wire

- AC90 Armoured Cables
- Fire Alarm Cables
- ACWU Armoured Cables
- NMD90 / NMWU90 Cables
- Solid / Stranded Bare Copper
- RA90 / Armoured Cables CU / AL
- SIMpull Solutions®
- RW90 / RWU 90 CU / AL
- T90 CU / TW75 / TWH / TWU
- LVT

Connectors

- Armoured Cable Connectors
- Explosion-proof Connectors
- Strain Reliefs Metal & Nylon
- High Voltage Termination Kit
- Tray Cable Connectors

Control Cables

- Multiconductor
 - Armoured / Unarmoured
- Portable Control Cables
- Shielded Control Cables
- Custom Bundling / Armouring

Communication

- Computer Cables
- Inside / Outside Plant Wires
- Telephone Cables
- Plenum Cables
- Direct Burial

Data Cables

- Category 5E, 6, 6A, 7 Rated Cables
- Co-Axial / Twin-Axial Cables
- Ethernet Cables
- Network Cables
- Patch Cords (Copper / Fiber Optic)
- Armoured Data Cables

Electronic Cables

- Armoured Cables
- Audio / Visual Cables
- Broadcast Cables
- Low Capacitance Wires
- Plenum Wires
- Precision Video Wires
- Industrial Automation Cables
- Belden® Classics & NewGen

Fiber Optic Cables

- SM / MM
- Loose Tube, Tight Buffer
- Indoor / Outdoor / Riser / ADSS

- Armoured / Non-Armoured
- Hybrid Fiber
- Specialty XPRLTM / RLTM

Instrumentation Cables

- Armoured / Unarmoured
 - Interlocked Steel / Aluminum
- Multiconductor / Pairs / Triads
- Shielded / Unshielded

Marine Cables

- Boat Cables
- Shipboard Cables
- Offshore Rig / Marine Cables

Mining Cables

- Blasting Wires
- Mine Power Feeder Cables
- Portable Power Cables
 - Type W, G, GGC, SHDGC (2KV - 35 KV)
- Trailing Cables
- Cable Assemblies
- Vertical Riser Cables

Portable Cords

- High Temperature Cables
- Ultraflex™ Low Temperature Cords
- Ultraflex™ Extension Cords
- Retractable Cords
- Type: SJOOW, SOOW, SJTOW, STOW
- Welding Cables
- Stage Lighting
- Landscape Lighting
- Multiconductor

Power Cables

- ACSR / AAC Linewire
- High Voltage Power Cables
- Overhead Service (NS75 / NS90)
 - Duplex, Triplex, Quadruplex
- Underground Service
 - USEI, USEB
- TECK 90 HL Cables (600V - 35KV)
- Tray Cables
 - Power and Control
- Underground Distribution
- Airguard™

Specialty Wire / Products

- Coil Lead Wires
- European Cables (CE & VDE approved)
- 2HR Fire Rated
- VITALink® Fire Resistive
- Teflon® Insulated Wires
- SIS Switchboard Wires

- TEW Equipment Wires
- TR64
- Low Smoke Zero Halogen Cables
- Milspec Hookup Wires
- Tracer Wires
- Utility Hydro Cables
- Split Loom
- Automotive Cables
- Variable Frequency Drive (VFD) Cables
- Thermocouple Wires
- Heat Trace Cables
- Grounding Cables

Specialty Cords / Cables

- Extra Flexible Portable Cables
- Parallel Conductor Cords
- Small Diameter Flexible Control (SDN)
- Traffic Signal Cables CLMTO / IMSA
- Trailer Cables
- Airport Lighting Cables
- Battery Cables
- Diesel Locomotive Cables
- Reeling Cables
- Pendant Cables / Festoon

Custom-Built Cables

- Made to Customer Specifications

Accessories

- Hardware, Lugs, Cable Ties
- 3M Accessories

SIMpull Solutions®

- Maxis® 6K Tugger
- Maxis® 3K Tugger
- Maxis® Grips™
- QWIKrope®
- Swivel
- SIMpull™ REEL
- SIMpull HEAD®
- SIMpull® Flange
- GRIPit™
- A Frame

VALUE ADDED SERVICES

- Cable Management Program
- Specialized Technical Assistance
- 24/7 Emergency Shipping Service
- International Export Services
- Custom Cables / Printing / Cutting
- Paralleling / Lagging / Tagging
- Bundling / Armouring
- Bar Coding and Inventory Tracking
- State-of-the-Art Distribution Centre

CONTACT A TEXCAN SPECIALIST - EMAIL TEXCAN.SALES@TEXCAN.COM OR VISIT WWW.TEXCAN.COM

VANCOUVER

Call 1.800.665.1025
10449 120th Street
Surrey, BC V3V 4G4
Tel: 604.528.3600
Fax: 604.528.3790

EDMONTON

Call 1.800.252.7545
11330 189 Street NW
Edmonton, AB T5S 2V6
Tel: 780.944.9331
Fax: 780.486.3182

CALGARY

Call 1.855.717.3900
#105-10710 25th Street NE
Calgary, AB T3N 0A1
Tel: 403.717.3900
Fax: 403.717.3910

SASKATOON

Call 1.855.385.3800
3403 Faithfull Avenue
Saskatoon, SK S7K 8H6
Tel: 306.385.3800
Fax: 306.385.3810

WINNIPEG

Call 1.800.665.2491
25 Meridian Drive
Winnipeg, MB R2R 1J4
Tel: 204.982.9290
Fax: 204.661.8459