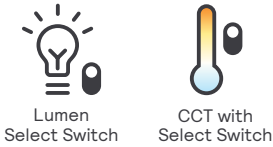




Lightolier LED Flat Downlight dual select provides an easy and quick downlight solution without the traditional frame and reflector. Perfect for installation in low plenum and existing shallow space ceilings. The CCT selector (2700K, 3000K, 3500K, 4000K & 5000K) and Lumen selector features make it easy to adjust both features at the time of installation.

Project: _____
 Location: _____
 Cat.No: _____
 Type: _____
 Qty: _____
 Notes: _____



Fixture

example: FD3RSLMZ10SCTUW

| Family | Size | Lumens | Dimming | CCT / CRI | Voltage | Finish |
|-------------------|--------------------------------------|--------------------------------------|--|--|---------|-----------------|
| FD | | | | | | W |
| FD Flat Downlight | 3R 3in Round | SLM Field Selectable (370lm/500lm) | Z10 0-10V | SCT Field Selectable with 5 CCT selectable options | U UNV | W White (matte) |
| | 4R 4in Round | 7 700lm | E TRIAC to 5% | SCT Field Selectable with 5 CCT selectable options | 1 120V | |
| | | SLM Field Selectable (540lm/700lm) | Z10 0-10V | SCT Field Selectable with 5 CCT selectable options | U UNV | |
| | 5R 5in Round | SLM Field Selectable (900lm/1100lm) | Z10 0-10V | SCT Field Selectable with 5 CCT selectable options | U UNV | |
| | 6R 6in Round | 11 1100lm | E TRIAC to 5% | SCT Field Selectable with 5 CCT selectable options | 1 120V | |
| | | SLM Field Selectable (900lm/1100lm) | Z10 0-10V | SCT Field Selectable with 5 CCT selectable options | U UNV | |
| | 8R 8in Round | SLM Field Selectable (1100lm/1300lm) | Z10 0-10V | SCT Field Selectable with 5 CCT selectable options | U UNV | |
| | 3S 3in Square | SLM Field Selectable (370lm/500lm) | Z10 0-10V | SCT Field Selectable with 5 CCT selectable options | U UNV | |
| | 4S 4in Square | SLM Field Selectable (540lm/700lm) | Z10 0-10V | SCT Field Selectable with 5 CCT selectable options | U UNV | |
| | 6S 6in Square | SLM Field Selectable (900lm/1100lm) | Z10 0-10V | SCT Field Selectable with 5 CCT selectable options | U UNV | |
| 8S 8in Square | SLM Field Selectable (1100lm/1300lm) | Z10 0-10V | SCT Field Selectable with 5 CCT selectable options | U UNV | | |

Note: Square downlights not stocked in Canada. Please inquire for price and availability.

Accessories

| | |
|--------|---|
| FD4NCP | Flat Downlight G2 - 4" new construction plate |
| FD6NCP | Flat Downlight G2 - 6" new construction plate |

Features

- Flange:** metal alloy, powder coating in white.
- Lens:** diffuser is used for smooth and diffused light pattern.
- Junction Box:** steel with clip attached on the side of the J-box to connect with fixture or new construction plate to meet NEC (National Electric Code).
- Connector:** locking power connection is used to connect J-box and fixture. Standard length of the connection is 14.96in (38cm).
- Ceiling cutout:** installation template is provided.
- Gasket:** foam gasket supplied with fixture.

Electrical

Electronic power supply:
 RoHS compliant.
 Isolated driver, Grounding Class 2 Power Unit.
 Remote power supply can only accommodate one LED module and cannot be shared with other LED module.
 Fixture can be through wired.

Dimming:
 120V versions are compatible with ELV/TRIAC (120V) dimmers.
 UNV versions are compatible with 0-10V (UNV) dimmers.

Labels

ETL listed (UL 1598) for wet locations (covered ceiling only). IC rated for direct contact with thermal insulation.
 AirSeal for minimal air leakage.
 ENERGY STAR® certified.
 Title 24 compliant (JA8).

Warranty

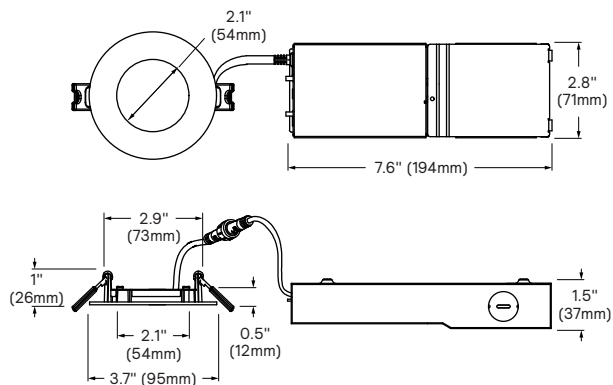
Lifetime: Expected lifetime 50,000 hours and backed by a 5-year warranty (visit signify.com/warranties for details).

FD Flat Downlight dual select

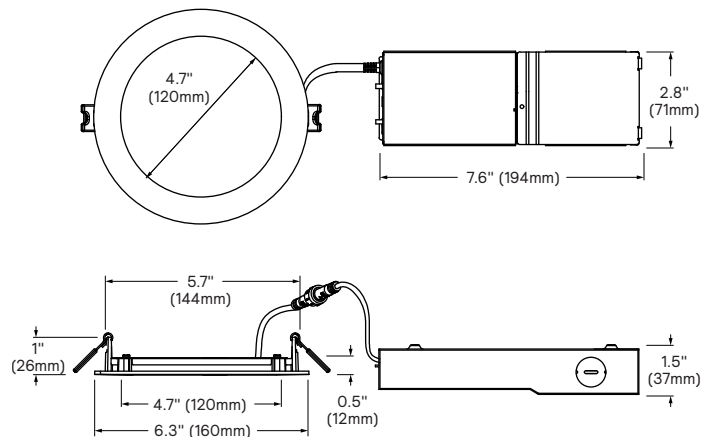
Round & Square aperture recessed downlight

Dimensions

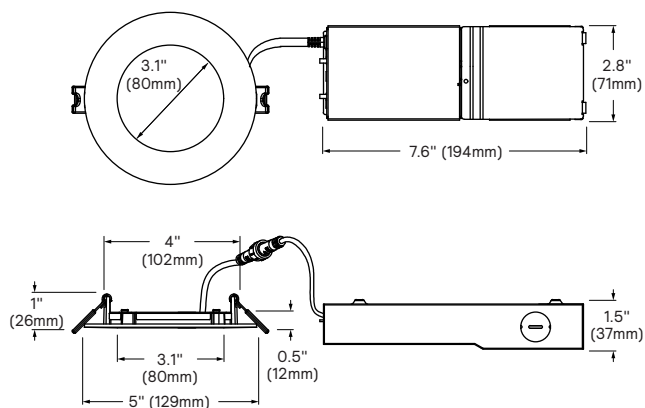
Flat Downlight 3" Round



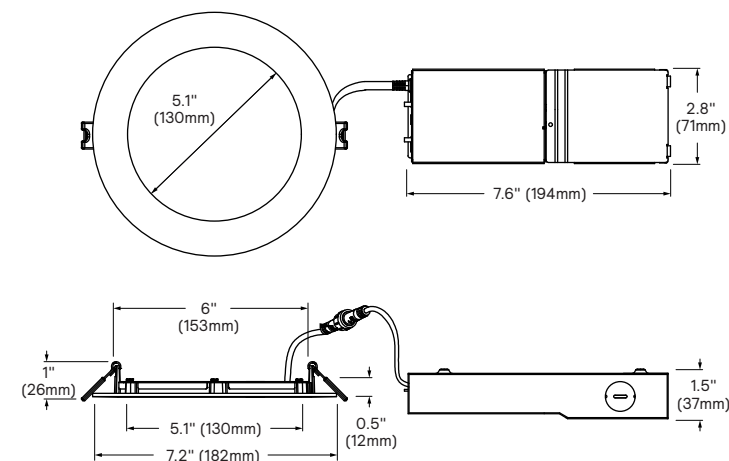
Flat Downlight 6" Round



Flat Downlight 4" Round



Flat Downlight 8" Round

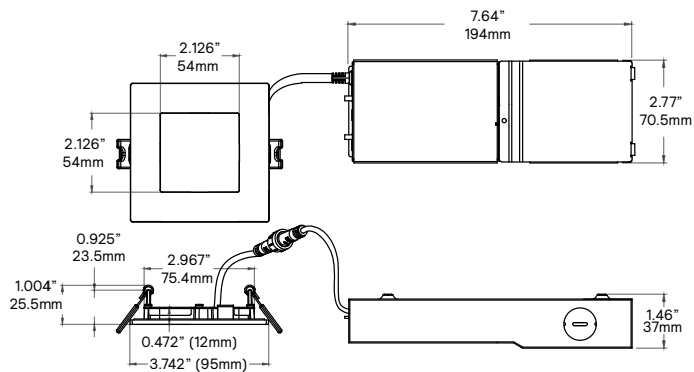


FD Flat Downlight dual select

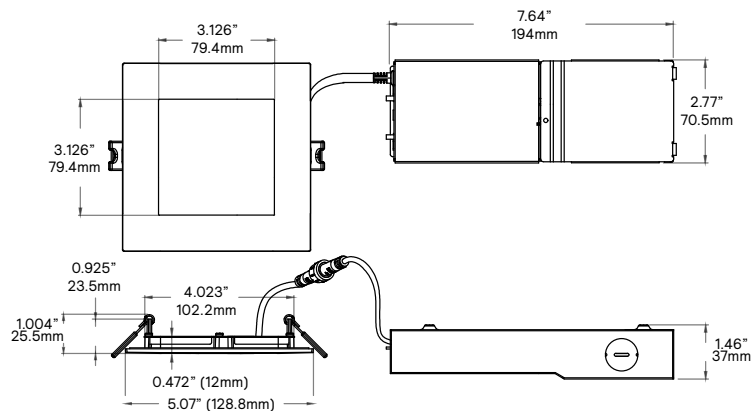
Round & Square aperture recessed downlight

Dimensions

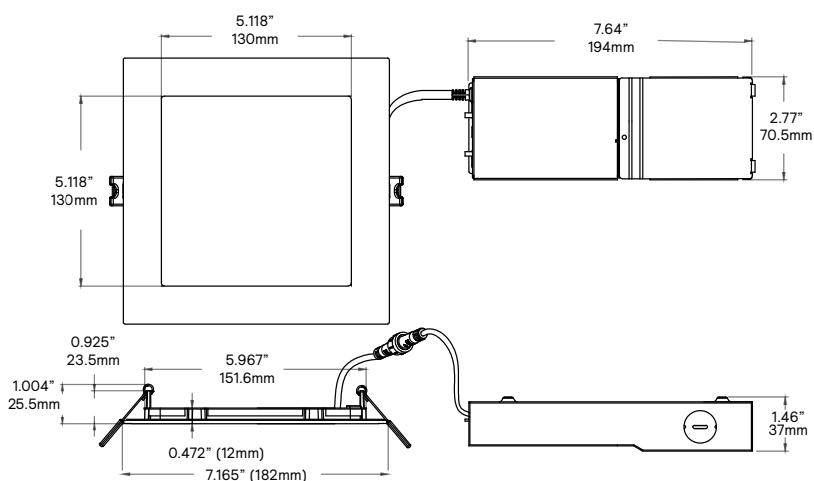
Flat Downlight 3" Square



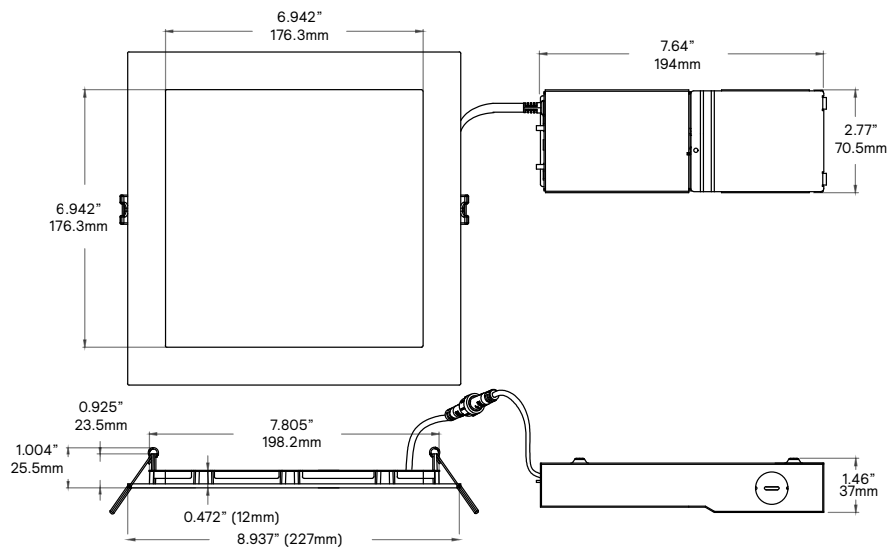
Flat Downlight 4" Square



Flat Downlight 6" Square



Flat Downlight 8" Square

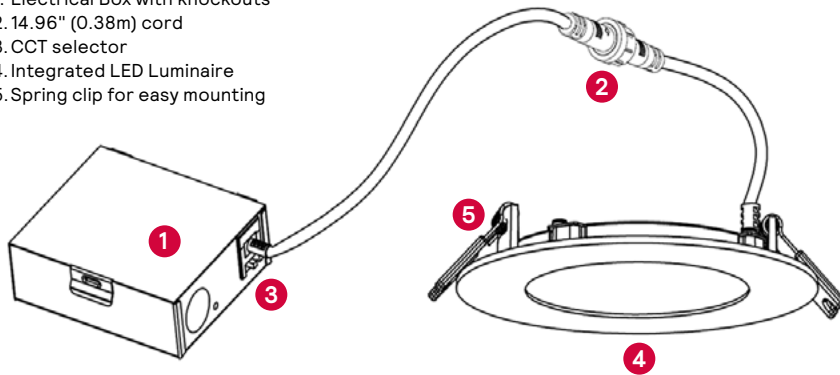


FD Flat Downlight dual select

Round & Square aperture recessed downlight

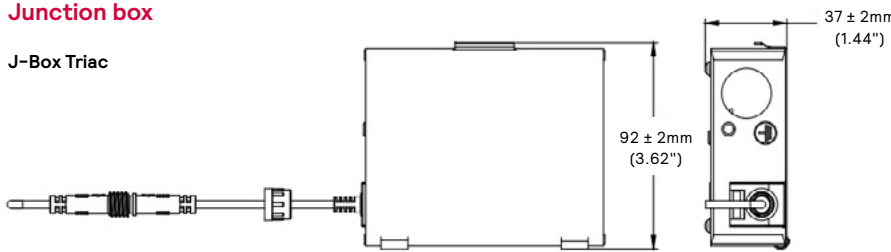
Components

1. Electrical Box with knockouts
2. 14.96" (0.38m) cord
3. CCT selector
4. Integrated LED Luminaire
5. Spring clip for easy mounting

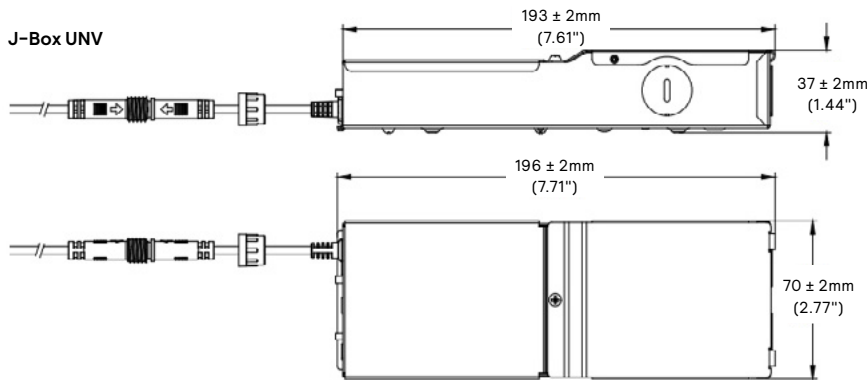


Junction box

J-Box Triac



J-Box UNV



| | Lumen Output | Input voltage | Input Freq | Max. Input current | Max. Input power | Max. THD | Power factor | CRI |
|---------------|---------------|---------------|------------|--------------------|------------------|----------|--------------|-----|
| 3" Round UNV | 370lm/500lm | 120V - 277V | 50/60Hz | 0.20A | 8W/6W | 20% | 0.9 | 90 |
| 4" Round 120V | 700lm | 120V | 60Hz | 0.25A | 11W | 20% | 0.9 | 90 |
| 4" Round UNV | 540lm/700lm | 120V - 277V | 50/60Hz | 0.25A | 11W/9W | 20% | 0.9 | 90 |
| 5" Round UNV | 700lm/900lm | 120V - 277V | 50/60Hz | 0.30A | 13W/11W | 20% | 0.9 | 90 |
| 6" Round 120V | 1100lm | 120V | 60Hz | 0.39A | 15W | 20% | 0.9 | 90 |
| 6" Round UNV | 900lm/1100lm | 120V - 277V | 50/60Hz | 0.39A | 15W/12W | 20% | 0.9 | 90 |
| 8" Round UNV | 1100lm/1300lm | 120V - 277V | 50/60Hz | 0.41A | 18W/15W | 20% | 0.9 | 90 |
| 3" Square UNV | 370lm/500lm | 120V - 277V | 50/60Hz | 0.20A | 8W/6W | 20% | 0.9 | 90 |
| 4" Square UNV | 540lm/700lm | 120V - 277V | 50/60Hz | 0.28A | 11W/9W | 20% | 0.9 | 90 |
| 6" Square UNV | 900lm/1100lm | 120V - 277V | 50/60Hz | 0.39A | 15W/12W | 20% | 0.9 | 90 |
| 8" Square UNV | 1100lm/1300lm | 120V - 277V | 50/60Hz | 0.41A | 18W/15W | 20% | 0.9 | 90 |

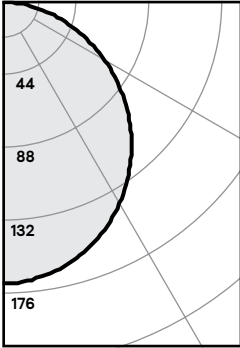
* Restrictions on Hazardous Substances (RoHS) is a European directive (2002/95/EC) designed to limit the content of 6 substances [lead, mercury, cadmium, hexavalent chromium, polybrominated biphenyls (PBB), and polybrominated diphenyl ethers (PBDE)] in electrical and electronic products. For products used in North America compliance to RoHS is voluntary and self-certified.

FD Flat Downlight dual select

Round & Square aperture recessed downlight

FD3RSLMZ10SCTUW • 3" Round, Field Selectable, Field Selectable 5CCT, Universal Voltage, White Finish

Candela Curve



Fixture: FD3RSLMZ10SCTUW

Output lumens: 480 lms
 Input watts: 7.7 W
 CRI: 90 (min)
 CCT¹: 2700K
 Beam Angle: 110°
 Spacing Criterion: 1.24

Zonal summary

| Zone | Lumens | %Luminaire |
|------|--------|------------|
| 0-30 | 131 | 27.3% |
| 0-40 | 214 | 44.6% |
| 0-60 | 376 | 78.3% |
| 0-90 | 480 | 100.0% |

| Angle | Mean CP | Lumens |
|-------|---------|--------|
| 0 | 169 | |
| 5 | 167 | |
| 10 | 165 | 16 |
| 15 | 161 | |
| 20 | 155 | 46 |
| 25 | 148 | |
| 30 | 139 | 69 |
| 35 | 130 | |
| 40 | 119 | 83 |
| 45 | 108 | |
| 50 | 96 | 85 |
| 55 | 83 | |
| 60 | 70 | 77 |
| 65 | 57 | |
| 70 | 44 | 59 |
| 75 | 32 | |
| 80 | 20 | 35 |
| 85 | 8 | |
| 90 | 0 | 11 |

Single unit data

| Height to lighted plane | Initial center beam foot-candles | Beam diameter (ft)* |
|-------------------------|----------------------------------|---------------------|
| 5' | 7 | 6.2' |
| 6' | 5 | 7.4' |
| 7' | 3 | 8.7' |
| 8' | 3 | 9.9' |
| 9' | 2 | 11.2' |

* Beam diameter is where foot-candles drop to 50% of maximum.

Multiple unit data - RCR 2

| Spacing on center | Initial center beam foot-candles | Watts per sq. ft. |
|-------------------|----------------------------------|-------------------|
| 5' | 19.0 | 0.34 |
| 6' | 13.0 | 0.22 |
| 7' | 9.0 | 0.16 |
| 8' | 8.0 | 0.13 |
| 9' | 6.0 | 0.11 |

38' x 38' x 10' Room, Workplane 2.5' above floor, 80/50/20% Reflectances

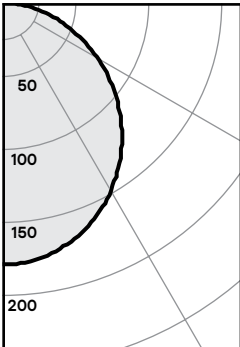
Efficacy: 62.3lm/w
 Report²: STD220234NB-C

Coefficients of utilization

| Ceiling | 80% | | | | 70% | | 50% | | 30% | | 0% | |
|-------------------|---|-----|-----|-----|-----|-----|-----|-----|-----|-----|-----|-----|
| | 70 | 50 | 30 | 10 | 50 | 10 | 50 | 10 | 50 | 10 | 0 | |
| Wall | 70 | 50 | 30 | 10 | 50 | 10 | 50 | 10 | 50 | 10 | 0 | |
| RCR | Zonal cavity method - Effective floor reflectance = 20% | | | | | | | | | | | |
| Room Cavity Ratio | 0 | 119 | 119 | 119 | 119 | 116 | 116 | 111 | 111 | 106 | 106 | 100 |
| | 1 | 109 | 104 | 99 | 95 | 101 | 94 | 97 | 91 | 93 | 88 | 83 |
| | 2 | 99 | 90 | 83 | 77 | 88 | 76 | 85 | 75 | 81 | 73 | 69 |
| | 3 | 90 | 79 | 71 | 64 | 77 | 64 | 74 | 62 | 72 | 61 | 58 |
| | 4 | 82 | 70 | 61 | 54 | 69 | 54 | 66 | 53 | 64 | 52 | 49 |
| | 5 | 76 | 63 | 53 | 47 | 61 | 46 | 59 | 46 | 57 | 45 | 43 |
| | 6 | 70 | 56 | 47 | 41 | 55 | 41 | 53 | 40 | 52 | 40 | 37 |
| | 7 | 65 | 51 | 42 | 36 | 50 | 36 | 49 | 36 | 47 | 35 | 33 |
| | 8 | 60 | 47 | 38 | 32 | 46 | 32 | 45 | 32 | 43 | 32 | 29 |
| | 9 | 56 | 43 | 34 | 29 | 42 | 29 | 41 | 29 | 40 | 28 | 26 |
| | 10 | 53 | 39 | 31 | 26 | 39 | 26 | 38 | 26 | 37 | 26 | 24 |

FD3SSLMZ10SCTUW • 3" Square, Field Selectable, Field Selectable 5CCT, Universal Voltage, White Finish

Candela Curve



Fixture: FD3SSLMZ10SCTUW

Output lumens: 495 lms
 Input watts: 7.9 W
 CRI: 90 (min)
 CCT¹: 2700K
 Beam Angle: 109°
 Spacing Criterion: 1.24

Zonal summary

| Zone | Lumens | %Luminaire |
|------|--------|------------|
| 0-30 | 137 | 27.7% |
| 0-40 | 223 | 45.1% |
| 0-60 | 390 | 78.8% |
| 0-90 | 495 | 100.0% |

| Angle | Mean CP | Lumens |
|-------|---------|--------|
| 0 | 178 | |
| 5 | 177 | |
| 10 | 175 | 17 |
| 15 | 170 | |
| 20 | 164 | 48 |
| 25 | 156 | |
| 30 | 147 | 72 |
| 35 | 137 | |
| 40 | 126 | 86 |
| 45 | 114 | |
| 50 | 101 | 88 |
| 55 | 87 | |
| 60 | 74 | 79 |
| 65 | 60 | |
| 70 | 46 | 60 |
| 75 | 33 | |
| 80 | 20 | 35 |
| 85 | 8 | |
| 90 | 0 | 10 |

Single unit data

| Height to lighted plane | Initial center beam foot-candles | Beam diameter (ft)* |
|-------------------------|----------------------------------|---------------------|
| 5' | 7 | 6.2' |
| 6' | 5 | 7.4' |
| 7' | 4 | 8.7' |
| 8' | 3 | 9.9' |
| 9' | 2 | 11.2' |

* Beam diameter is where foot-candles drop to 50% of maximum.

Multiple unit data - RCR 2

| Spacing on center | Initial center beam foot-candles | Watts per sq. ft. |
|-------------------|----------------------------------|-------------------|
| 5' | 19.0 | 0.35 |
| 6' | 13.0 | 0.23 |
| 7' | 9.0 | 0.16 |
| 8' | 8.0 | 0.14 |
| 9' | 6.0 | 0.11 |

38' x 38' x 10' Room, Workplane 2.5' above floor, 80/50/20% Reflectances

Efficacy: 62.3lm/w
 Report²: STD220234NB-H

Coefficients of utilization

| Ceiling | 80% | | | | 70% | | 50% | | 30% | | 0% | |
|-------------------|---|-----|-----|-----|-----|-----|-----|-----|-----|-----|-----|-----|
| | 70 | 50 | 30 | 10 | 50 | 10 | 50 | 10 | 50 | 10 | 0 | |
| Wall | 70 | 50 | 30 | 10 | 50 | 10 | 50 | 10 | 50 | 10 | 0 | |
| RCR | Zonal cavity method - Effective floor reflectance = 20% | | | | | | | | | | | |
| Room Cavity Ratio | 0 | 119 | 119 | 119 | 119 | 116 | 116 | 111 | 111 | 106 | 106 | 100 |
| | 1 | 109 | 104 | 99 | 95 | 101 | 94 | 97 | 91 | 93 | 88 | 83 |
| | 2 | 99 | 90 | 83 | 77 | 88 | 76 | 85 | 75 | 81 | 73 | 69 |
| | 3 | 90 | 79 | 71 | 64 | 77 | 64 | 74 | 62 | 72 | 61 | 58 |
| | 4 | 82 | 70 | 61 | 54 | 69 | 54 | 66 | 53 | 64 | 52 | 49 |
| | 5 | 76 | 63 | 53 | 47 | 61 | 46 | 59 | 46 | 57 | 45 | 43 |
| | 6 | 70 | 56 | 47 | 41 | 55 | 41 | 53 | 40 | 52 | 40 | 37 |
| | 7 | 65 | 51 | 42 | 36 | 50 | 36 | 49 | 36 | 47 | 35 | 33 |
| | 8 | 60 | 47 | 38 | 32 | 46 | 32 | 45 | 32 | 43 | 32 | 29 |
| | 9 | 56 | 43 | 34 | 29 | 42 | 29 | 41 | 29 | 40 | 28 | 26 |
| | 10 | 53 | 39 | 31 | 26 | 39 | 26 | 38 | 26 | 37 | 26 | 24 |

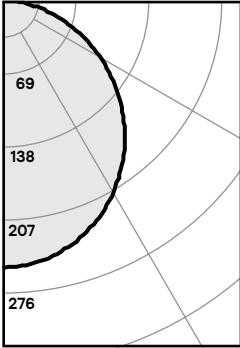
1. Correlated Color Temperature: within specs as defined in ANSI_NEMA_ANSI C78.377-2008: Specifications for the Chromaticity of Solid State Lighting Products.
 2. Tested using absolute photometry as specified in LM79: IESNA Approved Method for the Electrical and Photometric Measurements of Solid-State Lighting Products.

FD Flat Downlight dual select

Round & Square aperture recessed downlight

FD4RSLMZ10SCTUW • 4" Round, Field Selectable, Field Selectable 5CCT, Universal Voltage, White Finish

Candela Curve



Fixture: **FD4RSLMZ10SCTUW**

Output lumens: 705 lms
 Input watts: 10.3 W
 CRI: 90 (min)
 CCT¹: 2700K
 Beam Angle: 110°
 Spacing Criterion: 1.24

Zonal summary

| Zone | Lumens | %Luminaire |
|------|--------|------------|
| 0-30 | 194 | 27.5% |
| 0-40 | 316 | 44.8% |
| 0-60 | 553 | 78.4% |
| 0-90 | 705 | 100.0% |

| Angle | Mean CP | Lumens |
|-------|---------|--------|
| 0 | 251 | |
| 5 | 249 | |
| 10 | 245 | 24 |
| 15 | 239 | |
| 20 | 231 | 68 |
| 25 | 220 | |
| 30 | 208 | 102 |
| 35 | 193 | |
| 40 | 178 | 122 |
| 45 | 161 | |
| 50 | 143 | 125 |
| 55 | 124 | |
| 60 | 105 | 112 |
| 65 | 86 | |
| 70 | 66 | 86 |
| 75 | 47 | |
| 80 | 29 | 51 |
| 85 | 12 | |
| 90 | 0 | 15 |

Single unit data

| Height to lighted plane | Initial center beam foot-candles | Beam diameter (ft)* |
|-------------------------|----------------------------------|---------------------|
| 5' | 10 | 6.2' |
| 6' | 7 | 7.4' |
| 7' | 5 | 8.7' |
| 8' | 4 | 9.9' |
| 9' | 3 | 11.2' |

* Beam diameter is where foot-candles drop to 50% of maximum.

Multiple unit data - RCR 2

| Spacing on center | Initial center beam foot-candles | Watts per sq. ft. |
|-------------------|----------------------------------|-------------------|
| 5' | 28.0 | 0.46 |
| 6' | 19.0 | 0.30 |
| 7' | 13.0 | 0.21 |
| 8' | 11.0 | 0.18 |
| 9' | 9.0 | 0.14 |

38' x 38' x 10' Room, Workplane 2.5' above floor, 80/50/20% Reflectances

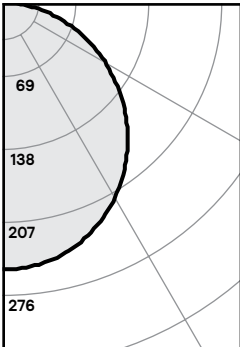
Efficacy: 68.4 lm/w
 Report²: STD220234NB-D

Coefficients of utilization

| Ceiling | 80% | | | | 70% | | 50% | | 30% | | 0% | |
|-------------------|---|-----|-----|-----|-----|-----|-----|-----|-----|-----|-----|-----|
| | 70 | 50 | 30 | 10 | 50 | 10 | 50 | 10 | 50 | 10 | 0 | |
| Wall | 70 | 50 | 30 | 10 | 50 | 10 | 50 | 10 | 50 | 10 | 0 | |
| RCR | Zonal cavity method - Effective floor reflectance = 20% | | | | | | | | | | | |
| Room Cavity Ratio | 0 | 119 | 119 | 119 | 119 | 116 | 116 | 111 | 111 | 106 | 106 | 100 |
| | 1 | 108 | 104 | 99 | 95 | 101 | 94 | 97 | 91 | 93 | 88 | 83 |
| | 2 | 99 | 90 | 83 | 77 | 88 | 77 | 85 | 75 | 81 | 73 | 69 |
| | 3 | 90 | 79 | 71 | 64 | 78 | 64 | 75 | 63 | 72 | 62 | 58 |
| | 4 | 82 | 70 | 61 | 54 | 69 | 54 | 66 | 53 | 64 | 53 | 50 |
| | 5 | 76 | 63 | 54 | 47 | 61 | 47 | 59 | 46 | 57 | 46 | 43 |
| | 6 | 70 | 56 | 47 | 41 | 55 | 41 | 54 | 40 | 52 | 40 | 38 |
| | 7 | 65 | 51 | 42 | 36 | 50 | 36 | 49 | 36 | 47 | 35 | 33 |
| | 8 | 60 | 47 | 38 | 32 | 46 | 32 | 45 | 32 | 43 | 32 | 30 |
| | 9 | 56 | 43 | 35 | 29 | 42 | 29 | 41 | 29 | 40 | 29 | 27 |
| | 10 | 53 | 40 | 32 | 26 | 39 | 26 | 38 | 26 | 37 | 26 | 24 |

FD4SSLMZ10SCTUW • 4" Square, Field Selectable, Field Selectable 5CCT, Universal Voltage, White Finish

Candela Curve



Fixture: **FD4SSLMZ10SCTUW**

Output lumens: 705 lms
 Input watts: 10.8 W
 CRI: 90 (min)
 CCT¹: 2700K
 Beam Angle: 110°
 Spacing Criterion: 1.26

Zonal summary

| Zone | Lumens | %Luminaire |
|------|--------|------------|
| 0-30 | 194 | 27.5% |
| 0-40 | 316 | 44.8% |
| 0-60 | 553 | 78.4% |
| 0-90 | 705 | 100.0% |

| Angle | Mean CP | Lumens |
|-------|---------|--------|
| 0 | 250 | |
| 5 | 249 | |
| 10 | 245 | 24 |
| 15 | 239 | |
| 20 | 231 | 68 |
| 25 | 220 | |
| 30 | 208 | 102 |
| 35 | 193 | |
| 40 | 178 | 122 |
| 45 | 161 | |
| 50 | 143 | 125 |
| 55 | 124 | |
| 60 | 105 | 112 |
| 65 | 86 | |
| 70 | 66 | 86 |
| 75 | 47 | |
| 80 | 29 | 51 |
| 85 | 12 | |
| 90 | 0 | 15 |

Single unit data

| Height to lighted plane | Initial center beam foot-candles | Beam diameter (ft)* |
|-------------------------|----------------------------------|---------------------|
| 5' | 10 | 6.3' |
| 6' | 7 | 7.6' |
| 7' | 5 | 8.8' |
| 8' | 4 | 10.1' |
| 9' | 3 | 11.3' |

* Beam diameter is where foot-candles drop to 50% of maximum.

Multiple unit data - RCR 2

| Spacing on center | Initial center beam foot-candles | Watts per sq. ft. |
|-------------------|----------------------------------|-------------------|
| 5' | 28.0 | 0.48 |
| 6' | 19.0 | 0.31 |
| 7' | 13.0 | 0.22 |
| 8' | 11.0 | 0.19 |
| 9' | 9.0 | 0.15 |

38' x 38' x 10' Room, Workplane 2.5' above floor, 80/50/20% Reflectances

Efficacy: 65.3 lm/w
 Report²: STD220234NB-I

Coefficients of utilization

| Ceiling | 80% | | | | 70% | | 50% | | 30% | | 0% | |
|-------------------|---|-----|-----|-----|-----|-----|-----|-----|-----|-----|-----|-----|
| | 70 | 50 | 30 | 10 | 50 | 10 | 50 | 10 | 50 | 10 | 0 | |
| Wall | 70 | 50 | 30 | 10 | 50 | 10 | 50 | 10 | 50 | 10 | 0 | |
| RCR | Zonal cavity method - Effective floor reflectance = 20% | | | | | | | | | | | |
| Room Cavity Ratio | 0 | 119 | 119 | 119 | 119 | 116 | 116 | 111 | 111 | 106 | 106 | 100 |
| | 1 | 108 | 104 | 99 | 95 | 101 | 94 | 97 | 91 | 93 | 88 | 83 |
| | 2 | 99 | 90 | 83 | 77 | 88 | 77 | 85 | 75 | 81 | 73 | 69 |
| | 3 | 90 | 79 | 71 | 64 | 78 | 64 | 75 | 63 | 72 | 62 | 58 |
| | 4 | 82 | 70 | 61 | 54 | 69 | 54 | 66 | 53 | 64 | 53 | 50 |
| | 5 | 76 | 63 | 54 | 47 | 61 | 47 | 59 | 46 | 57 | 46 | 43 |
| | 6 | 70 | 56 | 47 | 41 | 55 | 41 | 54 | 40 | 52 | 40 | 38 |
| | 7 | 65 | 51 | 42 | 36 | 50 | 36 | 49 | 36 | 47 | 35 | 33 |
| | 8 | 60 | 47 | 38 | 32 | 46 | 32 | 45 | 32 | 43 | 32 | 30 |
| | 9 | 56 | 43 | 35 | 29 | 42 | 29 | 41 | 29 | 40 | 29 | 27 |
| | 10 | 53 | 40 | 32 | 26 | 39 | 26 | 38 | 26 | 37 | 26 | 24 |

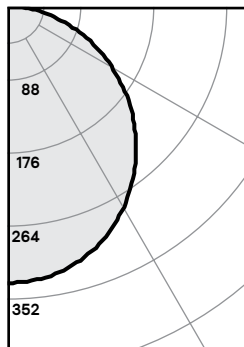
1. Correlated Color Temperature: within specs as defined in ANSI_NEMA_ANSI C78.377-2008: Specifications for the Chromaticity of Solid State Lighting Products.
 2. Tested using absolute photometry as specified in LM79: IESNA Approved Method for the Electrical and Photometric Measurements of Solid-State Lighting Products.

FD Flat Downlight dual select

Round & Square aperture recessed downlight

FD5RSLMZ10SCTUW • 5" Round, Field Selectable, Field Selectable 5CCT, Universal Voltage, White Finish

Candela Curve



Fixture: **FD5RSLMZ10SCTUW**

Output lumens: 924 lms
 Input watts: 12.3 W
 CRI: 90 (min)
 CCT¹: 2700K
 Beam Angle: 110°
 Spacing Criterion: 1.24

Zonal summary

| Zone | Lumens | %Luminaire |
|------|--------|------------|
| 0-30 | 254 | 27.5% |
| 0-40 | 414 | 44.8% |
| 0-60 | 725 | 78.5% |
| 0-90 | 924 | 100.0% |

| Angle | Mean CP | Lumens |
|-------|---------|--------|
| 0 | 329 | |
| 5 | 327 | |
| 10 | 322 | 31 |
| 15 | 314 | |
| 20 | 302 | 89 |
| 25 | 289 | |
| 30 | 272 | 134 |
| 35 | 253 | |
| 40 | 232 | 160 |
| 45 | 210 | |
| 50 | 186 | 164 |
| 55 | 162 | |
| 60 | 137 | 147 |
| 65 | 111 | |
| 70 | 86 | 113 |
| 75 | 62 | |
| 80 | 39 | 68 |
| 85 | 17 | |
| 90 | 0 | 21 |

Single unit data

| Height to lighted plane | Initial center beam foot-candles | Beam diameter (ft)* |
|-------------------------|----------------------------------|---------------------|
| 5' | 13 | 6.2' |
| 6' | 9 | 7.4' |
| 7' | 7 | 8.7' |
| 8' | 5 | 9.9' |
| 9' | 4 | 11.2' |

* Beam diameter is where foot-candles drop to 50% of maximum.

Multiple unit data - RCR 2

| Spacing on center | Initial center beam foot-candles | Watts per sq. ft. |
|-------------------|----------------------------------|-------------------|
| 5' | 37.0 | 0.55 |
| 6' | 24.0 | 0.36 |
| 7' | 17.0 | 0.26 |
| 8' | 14.0 | 0.21 |
| 9' | 12.0 | 0.17 |

38' x 38' x 10' Room, Workplane 2.5' above floor, 80/50/20% Reflectances

Efficacy: **75.1lm/w**
 Report²: STD220234NB-D

Coefficients of utilization

| Ceiling | 80% | | | | 70% | | 50% | | 30% | | 0% | |
|-------------------|---|-----|-----|-----|-----|-----|-----|-----|-----|-----|-----|-----|
| Wall | 70 | 50 | 30 | 10 | 50 | 10 | 50 | 10 | 50 | 10 | 0 | |
| RCR | Zonal cavity method - Effective floor reflectance = 20% | | | | | | | | | | | |
| Room Cavity Ratio | 0 | 119 | 119 | 119 | 119 | 116 | 116 | 111 | 111 | 106 | 106 | 100 |
| 1 | 109 | 104 | 99 | 95 | 101 | 94 | 97 | 91 | 93 | 88 | 88 | 83 |
| 2 | 99 | 90 | 83 | 78 | 88 | 77 | 85 | 75 | 81 | 73 | 69 | 69 |
| 3 | 90 | 79 | 71 | 64 | 78 | 64 | 75 | 63 | 72 | 62 | 58 | 58 |
| 4 | 82 | 70 | 61 | 54 | 69 | 54 | 66 | 53 | 64 | 53 | 50 | 50 |
| 5 | 76 | 63 | 54 | 47 | 62 | 47 | 59 | 46 | 57 | 46 | 43 | 43 |
| 6 | 70 | 56 | 47 | 41 | 55 | 41 | 54 | 40 | 52 | 40 | 38 | 38 |
| 7 | 65 | 51 | 42 | 36 | 50 | 36 | 49 | 36 | 47 | 35 | 33 | 33 |
| 8 | 60 | 47 | 38 | 32 | 46 | 32 | 45 | 32 | 43 | 32 | 30 | 30 |
| 9 | 56 | 43 | 35 | 29 | 42 | 29 | 41 | 29 | 40 | 29 | 27 | 27 |
| 10 | 53 | 40 | 32 | 26 | 39 | 26 | 38 | 26 | 37 | 26 | 24 | 24 |

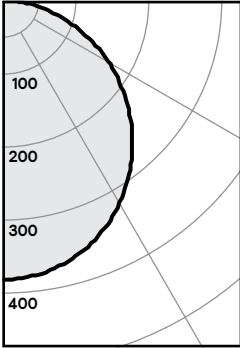
1. Correlated Color Temperature: within specs as defined in ANSI_NEMA_ANSI C78.377-2008: Specifications for the Chromaticity of Solid State Lighting Products.
 2. Tested using absolute photometry as specified in LM79: IESNA Approved Method for the Electrical and Photometric Measurements of Solid-State Lighting Products.

FD Flat Downlight dual select

Round & Square aperture recessed downlight

FD6RSLMZ10SCTUW • 6" Round, Field Selectable, Field Selectable 5CCT, Universal Voltage, White Finish

Candela Curve



Fixture: **FD6RSLMZ10SCTUW**

Output lumens: 1071 lms
 Input watts: 13.7 W
 CRI: 90 (min)
 CCT¹: 2700K
 Beam Angle: 110°
 Spacing Criterion: 1.26

Zonal summary

| Zone | Lumens | %Luminaire |
|------|--------|------------|
| 0-30 | 294 | 27.5% |
| 0-40 | 479 | 44.7% |
| 0-60 | 839 | 78.3% |
| 0-90 | 1071 | 100.0% |

| Angle | Mean CP | Lumens |
|-------|---------|--------|
| 0 | 380 | |
| 5 | 379 | |
| 10 | 374 | 36 |
| 15 | 365 | |
| 20 | 353 | 103 |
| 25 | 337 | |
| 30 | 319 | 155 |
| 35 | 297 | |
| 40 | 274 | 185 |
| 45 | 249 | |
| 50 | 222 | 190 |
| 55 | 194 | |
| 60 | 165 | 170 |
| 65 | 135 | |
| 70 | 105 | 130 |
| 75 | 76 | |
| 80 | 49 | 78 |
| 85 | 23 | |
| 90 | 3 | 24 |

Single unit data

| Height to lighted plane | Initial center beam foot-candles | Beam diameter (ft)* |
|-------------------------|----------------------------------|---------------------|
| 5' | 15 | 6.3' |
| 6' | 11 | 7.6' |
| 7' | 8 | 8.8' |
| 8' | 6 | 10.1' |
| 9' | 5 | 11.3' |

* Beam diameter is where foot-candles drop to 50% of maximum.

Multiple unit data - RCR 2

| Spacing on center | Initial center beam foot-candles | Watts per sq. ft. |
|-------------------|----------------------------------|-------------------|
| 5' | 43.0 | 0.61 |
| 6' | 28.0 | 0.40 |
| 7' | 20.0 | 0.28 |
| 8' | 17.0 | 0.24 |
| 9' | 14.0 | 0.19 |

38' x 38' x 10' Room, Workplane 2.5' above floor, 80/50/20% Reflectances

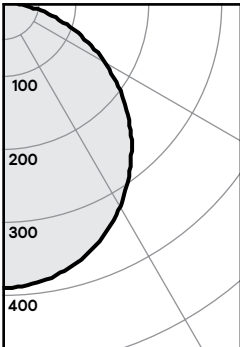
Efficacy: 78.2lm/w
 Report²: STD220234NB-F

Coefficients of utilization

| Ceiling | 80% | | | | 70% | | 50% | | 30% | | 0% | |
|-------------------|---|-----|-----|-----|-----|-----|-----|-----|-----|-----|-----|-----|
| | 70 | 50 | 30 | 10 | 50 | 10 | 50 | 10 | 50 | 10 | 0 | |
| Wall | 70 | 50 | 30 | 10 | 50 | 10 | 50 | 10 | 50 | 10 | 0 | |
| RCR | Zonal cavity method - Effective floor reflectance = 20% | | | | | | | | | | | |
| Room Cavity Ratio | 0 | 119 | 119 | 119 | 119 | 116 | 116 | 111 | 111 | 106 | 106 | 100 |
| | 1 | 109 | 104 | 99 | 95 | 101 | 94 | 97 | 91 | 93 | 88 | 83 |
| | 2 | 99 | 90 | 83 | 77 | 88 | 77 | 85 | 75 | 81 | 73 | 69 |
| | 3 | 90 | 79 | 71 | 64 | 78 | 64 | 75 | 63 | 72 | 61 | 58 |
| | 4 | 82 | 70 | 61 | 54 | 69 | 54 | 66 | 53 | 64 | 53 | 50 |
| | 5 | 76 | 63 | 54 | 47 | 62 | 47 | 59 | 46 | 57 | 46 | 43 |
| | 6 | 70 | 56 | 47 | 41 | 55 | 41 | 54 | 40 | 52 | 40 | 38 |
| | 7 | 65 | 51 | 42 | 36 | 50 | 36 | 49 | 36 | 47 | 35 | 33 |
| | 8 | 60 | 47 | 38 | 32 | 46 | 32 | 45 | 32 | 43 | 32 | 30 |
| | 9 | 56 | 43 | 35 | 29 | 42 | 29 | 41 | 29 | 40 | 29 | 27 |
| | 10 | 53 | 40 | 32 | 26 | 39 | 26 | 38 | 26 | 37 | 26 | 24 |

FD6SSLMZ10SCTUW • 6" Square, Field Selectable, Field Selectable 5CCT, Universal Voltage, White Finish

Candela Curve



Fixture: **FD6SSLMZ10SCTUW**

Output lumens: 1080 lms
 Input watts: 14.6 W
 CRI: 90 (min)
 CCT¹: 2700K
 Beam Angle: 110°
 Spacing Criterion: 1.24

Zonal summary

| Zone | Lumens | %Luminaire |
|------|--------|------------|
| 0-30 | 299 | 27.7% |
| 0-40 | 487 | 45.1% |
| 0-60 | 851 | 78.8% |
| 0-90 | 1080 | 100.0% |

| Angle | Mean CP | Lumens |
|-------|---------|--------|
| 0 | 388 | |
| 5 | 386 | |
| 10 | 380 | 37 |
| 15 | 370 | |
| 20 | 357 | 105 |
| 25 | 340 | |
| 30 | 320 | 157 |
| 35 | 297 | |
| 40 | 272 | 188 |
| 45 | 246 | |
| 50 | 218 | 192 |
| 55 | 188 | |
| 60 | 158 | 172 |
| 65 | 128 | |
| 70 | 98 | 130 |
| 75 | 69 | |
| 80 | 42 | 77 |
| 85 | 18 | |
| 90 | 2 | 23 |

Single unit data

| Height to lighted plane | Initial center beam foot-candles | Beam diameter (ft)* |
|-------------------------|----------------------------------|---------------------|
| 5' | 16 | 6.2' |
| 6' | 11 | 7.4' |
| 7' | 8 | 8.7' |
| 8' | 6 | 9.9' |
| 9' | 5 | 11.2' |

* Beam diameter is where foot-candles drop to 50% of maximum.

Multiple unit data - RCR 2

| Spacing on center | Initial center beam foot-candles | Watts per sq. ft. |
|-------------------|----------------------------------|-------------------|
| 5' | 36.0 | 0.65 |
| 6' | 24.0 | 0.42 |
| 7' | 17.0 | 0.30 |
| 8' | 14.0 | 0.25 |
| 9' | 11.0 | 0.20 |

38' x 38' x 10' Room, Workplane 2.5' above floor, 80/50/20% Reflectances

Efficacy: 74.0lm/w
 Report²: STD220234NB-J

Coefficients of utilization

| Ceiling | 80% | | | | 70% | | 50% | | 30% | | 0% | |
|-------------------|---|-----|-----|-----|-----|-----|-----|-----|-----|-----|-----|-----|
| | 70 | 50 | 30 | 10 | 50 | 10 | 50 | 10 | 50 | 10 | 0 | |
| Wall | 70 | 50 | 30 | 10 | 50 | 10 | 50 | 10 | 50 | 10 | 0 | |
| RCR | Zonal cavity method - Effective floor reflectance = 20% | | | | | | | | | | | |
| Room Cavity Ratio | 0 | 119 | 119 | 119 | 119 | 116 | 116 | 111 | 111 | 106 | 106 | 100 |
| | 1 | 109 | 104 | 99 | 96 | 102 | 94 | 97 | 91 | 93 | 88 | 83 |
| | 2 | 99 | 90 | 84 | 78 | 89 | 77 | 85 | 75 | 82 | 73 | 69 |
| | 3 | 90 | 79 | 71 | 65 | 78 | 64 | 75 | 63 | 72 | 62 | 58 |
| | 4 | 82 | 70 | 61 | 55 | 69 | 54 | 66 | 54 | 64 | 53 | 50 |
| | 5 | 76 | 63 | 54 | 47 | 62 | 47 | 60 | 46 | 58 | 46 | 43 |
| | 6 | 70 | 57 | 48 | 41 | 56 | 41 | 54 | 41 | 52 | 40 | 38 |
| | 7 | 65 | 51 | 43 | 36 | 51 | 36 | 49 | 36 | 48 | 36 | 33 |
| | 8 | 60 | 47 | 38 | 32 | 46 | 32 | 45 | 32 | 44 | 32 | 30 |
| | 9 | 56 | 43 | 35 | 29 | 42 | 29 | 41 | 29 | 40 | 29 | 27 |
| | 10 | 53 | 40 | 32 | 27 | 39 | 26 | 38 | 26 | 37 | 26 | 24 |

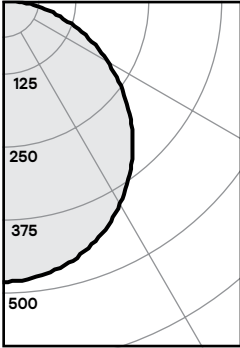
1. Correlated Color Temperature: within specs as defined in ANSI_NEMA_ANSI C78.377-2008: Specifications for the Chromaticity of Solid State Lighting Products.
 2. Tested using absolute photometry as specified in LM79: IESNA Approved Method for the Electrical and Photometric Measurements of Solid-State Lighting Products.

FD Flat Downlight dual select

Round & Square aperture recessed downlight

FD8RSLMZ10SCTUW • 8" Round, Field Selectable, Field Selectable 5CCT, Universal Voltage, White Finish

Candela Curve



Fixture: **FD8RSLMZ10SCTUW**

Output lumens: 1354 lms
 Input watts: 17.4 W
 CRI: 90 (min)
 CCT¹: 2700K
 Beam Angle: 110°
 Spacing Criterion: 1.24

Zonal summary

| Zone | Lumens | %Luminaire |
|------|--------|------------|
| 0-30 | 369 | 27.3% |
| 0-40 | 602 | 44.5% |
| 0-60 | 1056 | 78.0% |
| 0-90 | 1354 | 100.0% |

| Angle | Mean CP | Lumens |
|-------|---------|--------|
| 0 | 478 | |
| 5 | 475 | |
| 10 | 468 | 45 |
| 15 | 456 | |
| 20 | 440 | 129 |
| 25 | 420 | |
| 30 | 396 | 195 |
| 35 | 369 | |
| 40 | 339 | 233 |
| 45 | 307 | |
| 50 | 273 | 239 |
| 55 | 237 | |
| 60 | 201 | 215 |
| 65 | 164 | |
| 70 | 127 | 166 |
| 75 | 92 | |
| 80 | 58 | 100 |
| 85 | 27 | |
| 90 | 3 | 32 |

Single unit data

| Height to lighted plane | Initial center beam foot-candles | Beam diameter (ft)* |
|-------------------------|----------------------------------|---------------------|
| 5' | 19 | 6.2' |
| 6' | 13 | 7.4' |
| 7' | 10 | 8.7' |
| 8' | 7 | 9.9' |
| 9' | 6 | 11.2' |

* Beam diameter is where foot-candles drop to 50% of maximum.

Multiple unit data - RCR 2

| Spacing on center | Initial center beam foot-candles | Watts per sq. ft. |
|-------------------|----------------------------------|-------------------|
| 5' | 54.0 | 0.77 |
| 6' | 35.0 | 0.51 |
| 7' | 25.0 | 0.36 |
| 8' | 21.0 | 0.30 |
| 9' | 17.0 | 0.24 |

38' x 38' x 10' Room, Workplane 2.5' above floor, 80/50/20% Reflectances

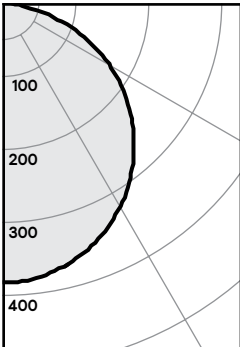
Efficacy: 68.4 lm/w
 Report²: STD220234NB-G

Coefficients of utilization

| Ceiling | 80% | | | | 70% | | 50% | | 30% | | 0% | |
|-------------------|---|-----|-----|-----|-----|-----|-----|-----|-----|-----|-----|-----|
| | 70 | 50 | 30 | 10 | 50 | 10 | 50 | 10 | 50 | 10 | 0 | |
| Wall | 70 | 50 | 30 | 10 | 50 | 10 | 50 | 10 | 50 | 10 | 0 | |
| RCR | Zonal cavity method - Effective floor reflectance = 20% | | | | | | | | | | | |
| Room Cavity Ratio | 0 | 119 | 119 | 119 | 119 | 116 | 116 | 111 | 111 | 106 | 106 | 100 |
| | 1 | 108 | 104 | 99 | 95 | 101 | 94 | 97 | 91 | 93 | 88 | 83 |
| | 2 | 99 | 90 | 83 | 77 | 88 | 76 | 85 | 75 | 81 | 73 | 69 |
| | 3 | 90 | 79 | 71 | 64 | 77 | 64 | 74 | 62 | 72 | 61 | 58 |
| | 4 | 82 | 70 | 61 | 54 | 69 | 54 | 66 | 53 | 64 | 52 | 49 |
| | 5 | 76 | 63 | 53 | 47 | 61 | 46 | 59 | 46 | 57 | 45 | 43 |
| | 6 | 70 | 56 | 47 | 41 | 55 | 41 | 53 | 40 | 52 | 40 | 37 |
| | 7 | 65 | 51 | 42 | 36 | 50 | 36 | 49 | 36 | 47 | 35 | 33 |
| | 8 | 60 | 47 | 38 | 32 | 46 | 32 | 45 | 32 | 43 | 32 | 29 |
| | 9 | 56 | 43 | 34 | 29 | 42 | 29 | 41 | 29 | 40 | 28 | 26 |
| | 10 | 53 | 39 | 31 | 26 | 39 | 26 | 38 | 26 | 37 | 26 | 24 |

FD8SSLMZ10SCTUW • 8" Square, Field Selectable, Field Selectable 5CCT, Universal Voltage, White Finish

Candela Curve



Fixture: **FD8SSLMZ10SCTUW**

Output lumens: 1416 lms
 Input watts: 17.3 W
 CRI: 90 (min)
 CCT¹: 2700K
 Beam Angle: 111°
 Spacing Criterion: 1.26

Zonal summary

| Zone | Lumens | %Luminaire |
|------|--------|------------|
| 0-30 | 387 | 27.3% |
| 0-40 | 632 | 44.6% |
| 0-60 | 1110 | 78.4% |
| 0-90 | 1416 | 100.0% |

| Angle | Mean CP | Lumens |
|-------|---------|--------|
| 0 | 498 | |
| 5 | 496 | |
| 10 | 489 | 47 |
| 15 | 478 | |
| 20 | 463 | 135 |
| 25 | 443 | |
| 30 | 420 | 205 |
| 35 | 393 | |
| 40 | 362 | 245 |
| 45 | 328 | |
| 50 | 292 | 252 |
| 55 | 255 | |
| 60 | 216 | 226 |
| 65 | 176 | |
| 70 | 137 | 172 |
| 75 | 99 | |
| 80 | 62 | 102 |
| 85 | 28 | |
| 90 | 2 | 30 |

Single unit data

| Height to lighted plane | Initial center beam foot-candles | Beam diameter (ft)* |
|-------------------------|----------------------------------|---------------------|
| 5' | 20 | 6.3' |
| 6' | 14 | 7.6' |
| 7' | 10 | 8.8' |
| 8' | 8 | 10.1' |
| 9' | 6 | 11.3' |

* Beam diameter is where foot-candles drop to 50% of maximum.

Multiple unit data - RCR 2

| Spacing on center | Initial center beam foot-candles | Watts per sq. ft. |
|-------------------|----------------------------------|-------------------|
| 5' | 56.0 | 0.77 |
| 6' | 37.0 | 0.50 |
| 7' | 27.0 | 0.36 |
| 8' | 22.0 | 0.30 |
| 9' | 18.0 | 0.24 |

38' x 38' x 10' Room, Workplane 2.5' above floor, 80/50/20% Reflectances

Efficacy: 81.8 lm/w
 Report²: STD220234NB-K

Coefficients of utilization

| Ceiling | 80% | | | | 70% | | 50% | | 30% | | 0% | |
|-------------------|---|-----|-----|-----|-----|-----|-----|-----|-----|-----|-----|-----|
| | 70 | 50 | 30 | 10 | 50 | 10 | 50 | 10 | 50 | 10 | 0 | |
| Wall | 70 | 50 | 30 | 10 | 50 | 10 | 50 | 10 | 50 | 10 | 0 | |
| RCR | Zonal cavity method - Effective floor reflectance = 20% | | | | | | | | | | | |
| Room Cavity Ratio | 0 | 119 | 119 | 119 | 119 | 116 | 116 | 111 | 111 | 106 | 106 | 100 |
| | 1 | 109 | 104 | 99 | 95 | 101 | 94 | 97 | 91 | 93 | 88 | 83 |
| | 2 | 99 | 90 | 83 | 78 | 88 | 77 | 85 | 75 | 82 | 73 | 69 |
| | 3 | 90 | 79 | 71 | 64 | 78 | 64 | 75 | 63 | 72 | 62 | 58 |
| | 4 | 82 | 70 | 61 | 54 | 69 | 54 | 66 | 53 | 64 | 53 | 50 |
| | 5 | 76 | 63 | 54 | 47 | 62 | 47 | 59 | 46 | 57 | 46 | 43 |
| | 6 | 70 | 56 | 47 | 41 | 55 | 41 | 54 | 40 | 52 | 40 | 38 |
| | 7 | 65 | 51 | 42 | 36 | 50 | 36 | 49 | 36 | 47 | 35 | 33 |
| | 8 | 60 | 47 | 38 | 32 | 46 | 32 | 45 | 32 | 43 | 32 | 30 |
| | 9 | 56 | 43 | 35 | 29 | 42 | 29 | 41 | 29 | 40 | 29 | 27 |
| | 10 | 53 | 40 | 32 | 26 | 39 | 26 | 38 | 26 | 37 | 26 | 24 |

1. Correlated Color Temperature: within specs as defined in ANSI_NEMA_ANSI C78.377-2008: Specifications for the Chromaticity of Solid State Lighting Products.
 2. Tested using absolute photometry as specified in LM79: IESNA Approved Method for the Electrical and Photometric Measurements of Solid-State Lighting Products.

