



VP4-LED35

LED Narrow Linear Vapourproof

SPECIFICATIONS*

Watts	35W
Lumens	4479.9
Efficacy (Lm/W)	129.03
Replaces Up To	2 Lamp T8
Colour Temp.	4000K, 5000K
Certification	cULus, IP65, DLC
Operating Temp.	-30°C to +40°C
Voltage	120-277
LED Life	100,000 hours
Housing Material	Polycarbonate
Lens Material	Polycarbonate
Lens Type	Frosted
Mounting	Surface mount
Total Harmonic Distortion	12.53%
Power Factor	0.9483
CRI	83.1



DESCRIPTION

The VP4 is a four foot linear vapourproof fixture ideal for use in wet locations both indoors and outdoors in parking garages, commercial and industrial facilities. Not for use in car wash facilities.

APPLICATIONS



Parking
Garages



Commercial
Facilities



Industrial
Facilities

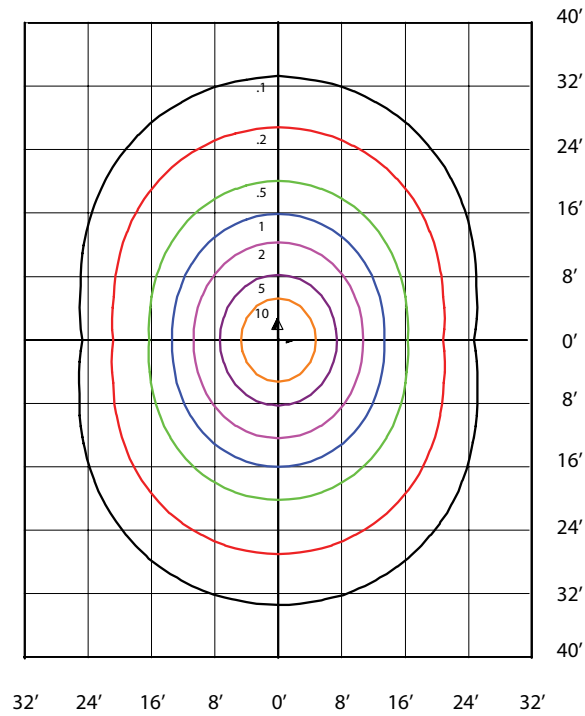
FEATURES

- 4' narrow linear vapourproof fixture.
- Polycarbonate housing with frosted lens.
- 10 polycarbonate clips for locking lens to the housing.
- 0-10V Dimming is standard.
- Predrilled conduit entries for ease of installation.
- Folding junction box cover in white paint finish included.
- Adjustable stainless steel mounting brackets.

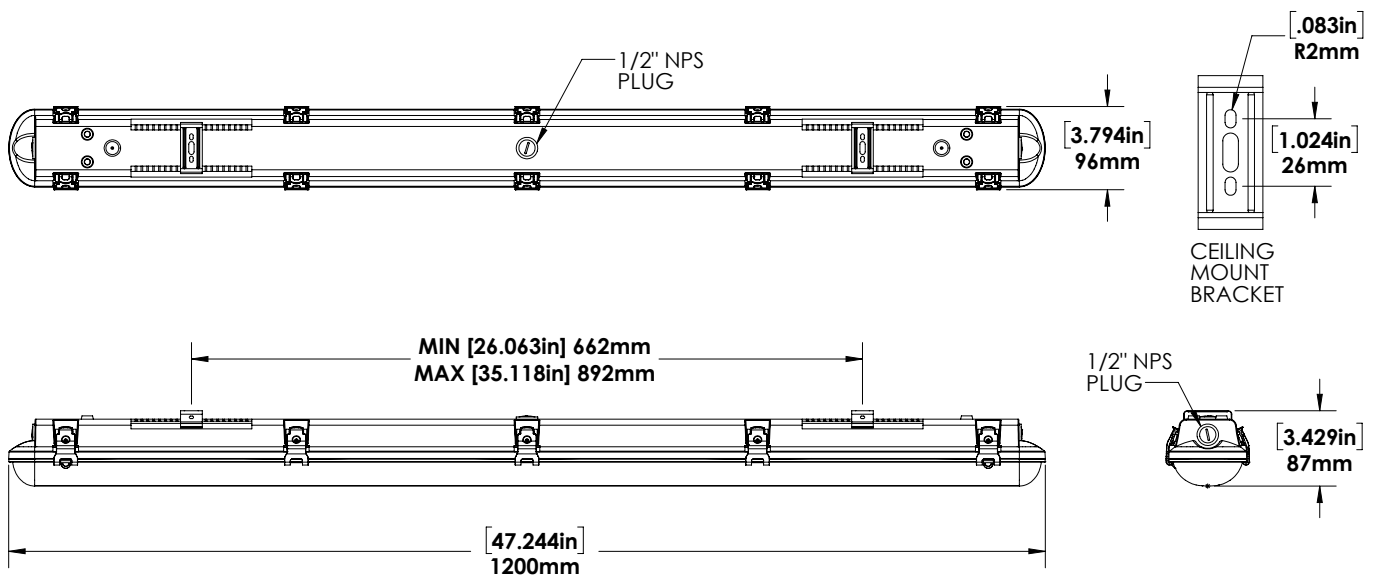
*The above specs apply to the VP4-LED35-B-4K-DIM. For spec information on other product configurations please see page 3.

PHOTOMETRICS

**VP4-LED35-B-4K-DIM
MOUNTED AT 8 FEET**



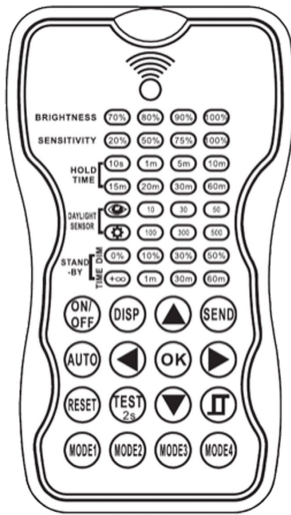
DIMENSIONS



DHFS MOTION SENSOR

Dimming High Frequency Motion Sensor is factory installed.

RC100 REMOTE

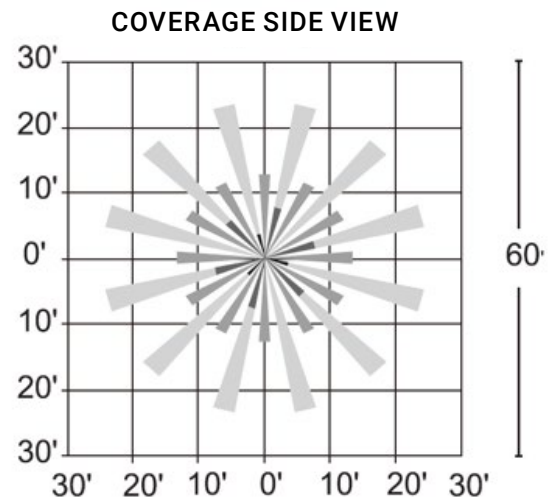
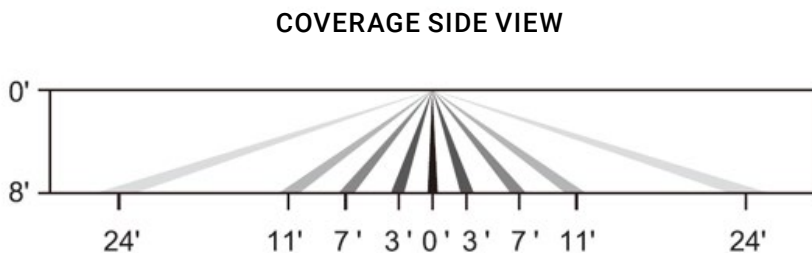


** Required additional purchase for custom configurations

DEFAULT SENSOR SETTINGS					
BRIGHTNESS	SENSITIVITY	HOLD TIME	DAYLIGHT SENSOR	STAND-BY DIM	STAND-BY TIME
100%	100%	5 minutes	Disabled	DIM: 30%	60 minutes

DHFS SENSOR SPECIFICATIONS	
POWER SUPPLY	100-277 VAC, SINGLE PHASE, 60HZ 100-347 VAC, SINGLE PHASE, 60HZ 208/230/480 VAC, PHASE TO PHASE, 60HZ
MAXIMUM LOAD	100-120 VAC, 800W, TUNGSTEN 100-120 VAC, 800W, ELECTRONIC BALLAST/LED DRIVER 230-240 VAC, 300W, ELECTRONIC BALLAST/LED DRIVER 277 VAC, 1200W, ELECTRONIC BALLAST/LED DRIVER 347 VAC, 1200W, ELECTRONIC BALLAST/LED DRIVER 480 VAC, 480W, ELECTRONIC BALLAST/LED DRIVER
HIGH FREQUENCY SYSTEM	5.8GHZ +/-75MHZ
DIM CONTROL OUTPUT	0-10V DC DIMMING, 25MA
DETECTION RADIUS/ANGLE	MAX 8M (26FT) AT 360°
MOUNTING HEIGHT	MAX 6M (20FT)
HUMIDITY	MAX 95% RELATIVE HUMIDITY
OPERATING TEMP.	-40°C TO +70°C
CYCLES	200,000 ON/OFF CYCLES
CERTIFICATIONS	cRUus, FCC
PROGRAMMING	WIRELESS PROGRAMMING USING RC-100 REMOTE

DHFS DETECTION RANGE & RADIUS/ANGLE



OTHER MODEL SPECIFICATIONS

DESCRIPTION	VOLTAGE (V)	INPUT POWER (W)	LIGHT OUTPUT (Lm)	EFFICACY (Lm/W)	THD (%)	PF	CCT (K)	CRI
VP4-LED35-B-4K-DIM	120-277	34.72	4479.9	129.03	12.53	0.9483	4000	83.1
VP4-LED35-B-5K-DIM	120-277	35.26	4691	133.04	11/32	0.9584	5000	83.4

LEGEND

B - 120V-277V

4K - 4000K, 5K - 5000K

DIM - 0-10V Dimming

	CURRENT (A)				SURGE PROTECTION (kV)	
	120V	208V	240V	277V	120-277V	
VP4-LED35	0.26A	0.15A	0.13A	0.11A	2.5kV	

ORDERING GUIDE

VP4	LED35			DIM	
WATTS	VOLTAGE	COLOUR TEMP.	DRIVER	CONTROLS	
	B - 120 - 277V	4K - 4000K 5K - 5000K	DIM - 0-10V Dimming	BLANK - No Sensor DHFS* - Dimming High Frequency Sensor (factory installed inside the housing)	

*DHFS option is not DLC qualified

ACCESSORIES (SOLD SEPARATELY)

092864 VP4-LED SST CLIPS KIT
(STAINLESS STEEL CLIPS
KIT - 10 CLIPS)

087016 - RC-100 MOTION SENSOR
REMOTE CONTROL