



ORA2-LED

LED Wall/Flood Light



WALL MOUNT WITH CONDUIT ENTRIES



KNUCKLE MOUNT



YOKE MOUNT

Applications:
Perimeter lighting in condos, townhouses, malls, commercial buildings.

DESCRIPTION:

The ORA-LED series is a fully adjustable multi-purpose fixture that replaces traditional wall packs or floods. The ORA features a sleek elegant design with multiple mounting options.

FEATURES:

- Fixture head may be aimed down or aimed out as needed.
- Three mounting options available - knuckle, yoke and wall mount.
- Wall light/flood light with wide beam optics.
- Wall mount version comes with back box that has 4 conduit entries on left and right sides, bottom and the back
- 347V unit comes with a thicker back box and is available in the wall mount version only.
- Architectural wall mount box (without conduit entries) available as an option sold separately.
- 0-10V dimming is standard.
- 0.15 meter power cord for knuckle and wall mount units and 0.5 meter power cord for yoke mount units.
- The ORA-LED Series can also be used as a sign light with different ARMS. Please view page 4 for dimensional drawings.

SPECIFICATIONS	ORA2-LED15	ORA2-LED30
Watts (W)	14.8	29.8
Lumens (Lm)	1826	3697.6
Efficacy (Lm/W)	123.6	124.2
Replaces Up To	70W MH	100W MH
Total Harmonic Distortion	13.5%	16.5%
Power Factor	0.91	0.90
Voltage	120-277V*, 347V**	
CCT	4000K*	
Dimming	0-10V Dimming*	
LED Life @ 100,000 Hours	77%	
Finish	Bronze*, Custom Colour	
Housing Details	Die Cast Aluminum	
Lens Details	Clear PC Lens	
Mounting	Knuckle, Yoke, Wall Mount	
Operating Temp.	-40°C to +40°C	
Certifications	UL, Wet Location, 5 Year Warranty	
Factory Installed Options	Photocell, Dimming PIR Motion Sensor**	
Options Sold Separately	Architectural Wall Mount Box (without conduit entries)	

* Standard Configuration
** The WMCB back box must be ordered when ordering 347V, Photocell or Motion Sensor.

347V FIXTURES ARE DLC STANDARD



SPECIFICATIONS

Model Number	Voltage (V)	Power (W)	Light Output (lm)	Efficacy (lm/W)	THD (%)	PF	CCT (K)	B-U-G
ORA2-LED15-B-4K-XXX-DIM-[KN;YK;WMC;WMCB]	120-277	15	1826	123.6	13.5	0.907	4000	1-1-0
ORA2-LED15-C-4K-XXX-DIM-[WMCB]	347	17	1826	108.8	14.1	0.940	4000	1-1-0
ORA2-LED30-B-4K-XXX-DIM-[KN;YK;WMC;WMCB]	120-277	30	3698	124.2	16.5	0.903	4000	2-1-0
ORA2-LED30-C-4K-XXX-DIM-[WMCB]	347	33	3765	113.6	16.0	0.931	4000	2-1-1

AMPERAGE DRAW & SURGE PROTECTION

	CURRENT (A)					SURGE PROTECTION (kV)	
	120V	208V	240V	277V	347V	120-277V	347V
ORA2-LED15	0.14A	0.08A	0.07A	0.06A	0.05A	2kV	
ORA2-LED30	0.27A	0.16A	0.14A	0.12A	0.1A	2kV	

WEIGHT (lbs)

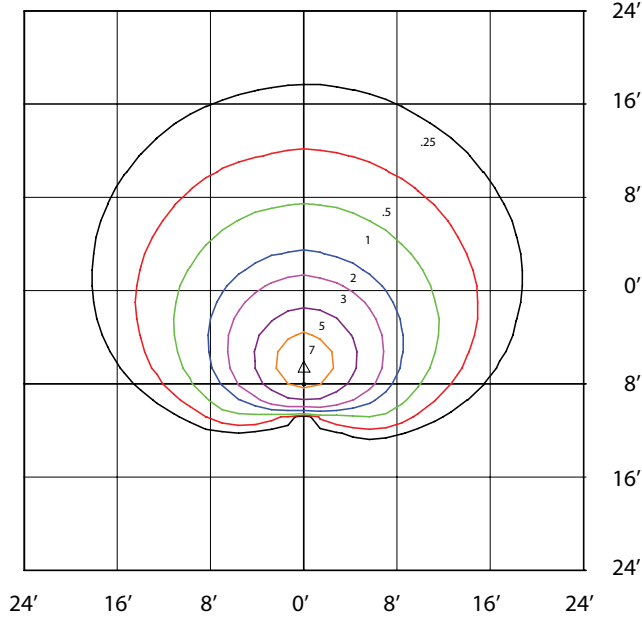
ORA2-LED15	3.2
ORA2-LED30	

LUMEN MAINTENANCE

	50,000 HOURS	75,000 HOURS	100,000 HOURS
ORA2-LED15	87.8%	82.2%	76.9%
ORA2-LED30			

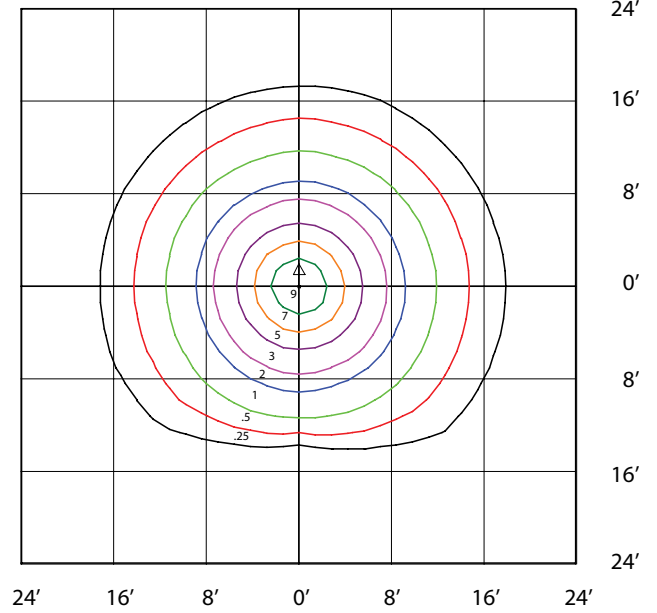
ORA2-LED15-B-4K-DIM
MOUNTED AT 8 FEET TILTED 45 DEGREES UP

Total Lumens = 1864 Mounting Height = 8 Ft Maximum Calculated Value = 8.32 Fc



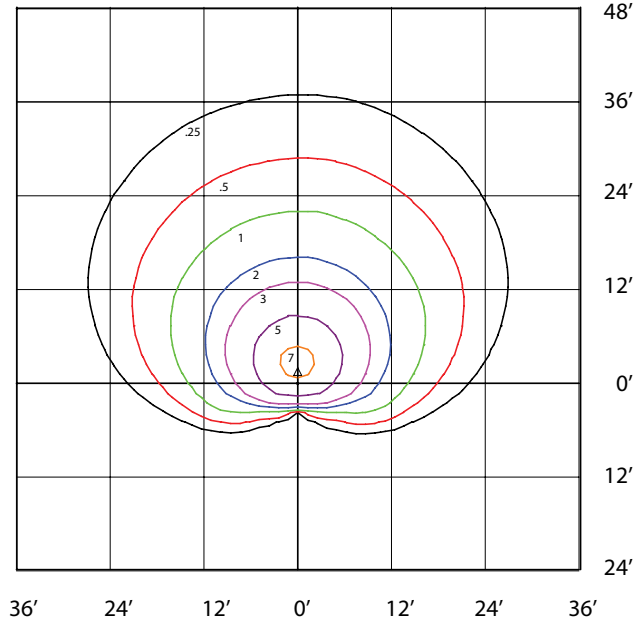
ORA2-LED15-B-4K-DIM
MOUNTED AT 8 FEET

Total Lumens = 1864 Mounting Height = 8 Ft Maximum Calculated Value = 10.82 Fc



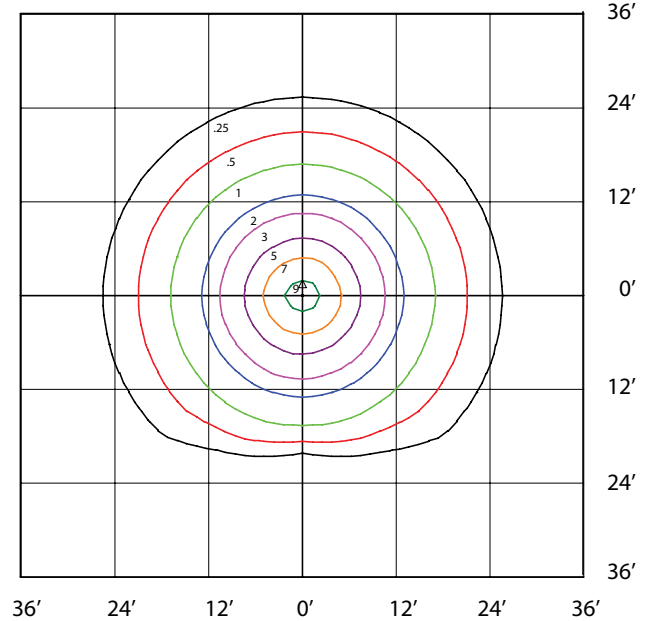
ORA2-LED30-B-4K-DIM
MOUNTED AT 12 FEET 45 DEGREE TILT

Total Lumens = 3698 Mounting Height = 12 Ft Maximum Calculated Value = 7.48 Fc

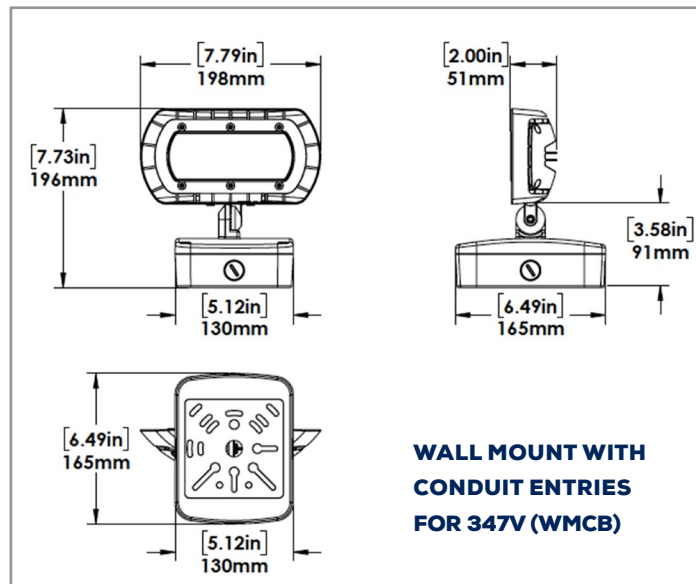
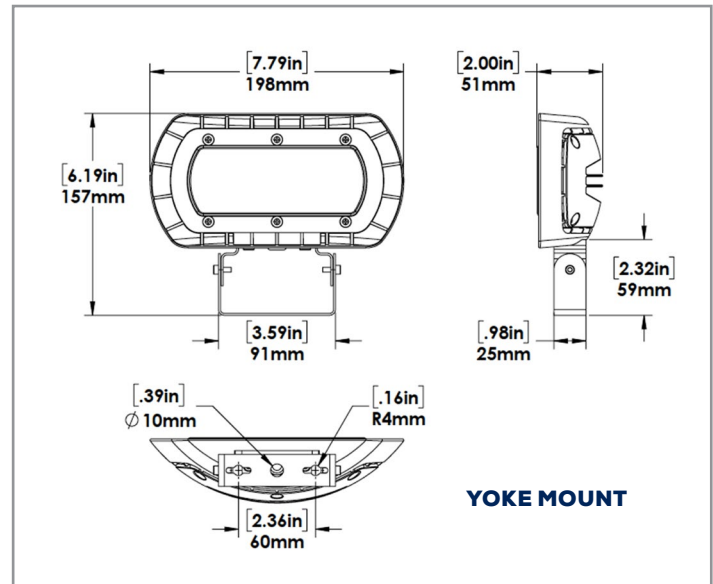
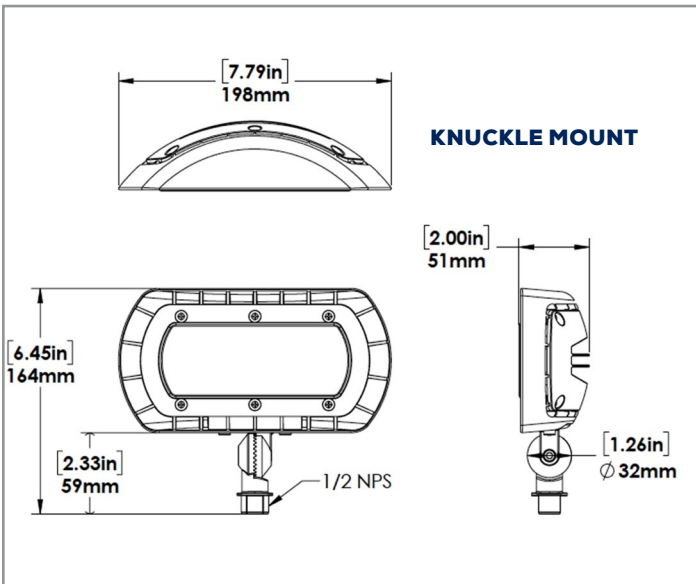
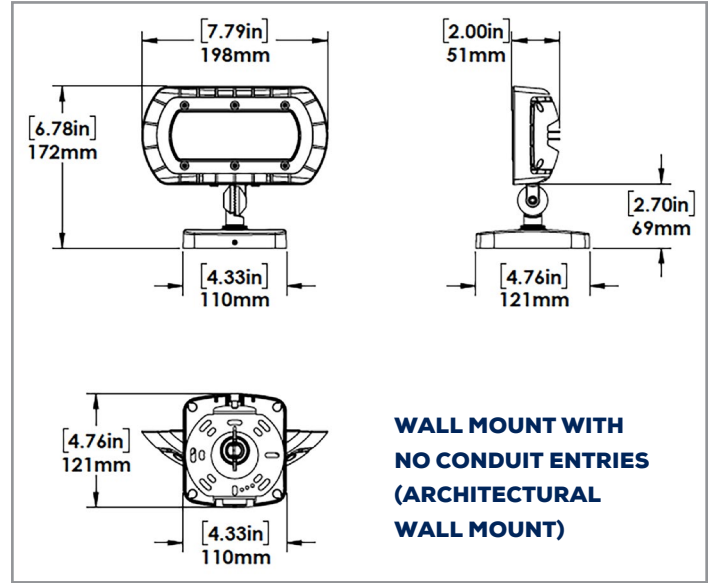
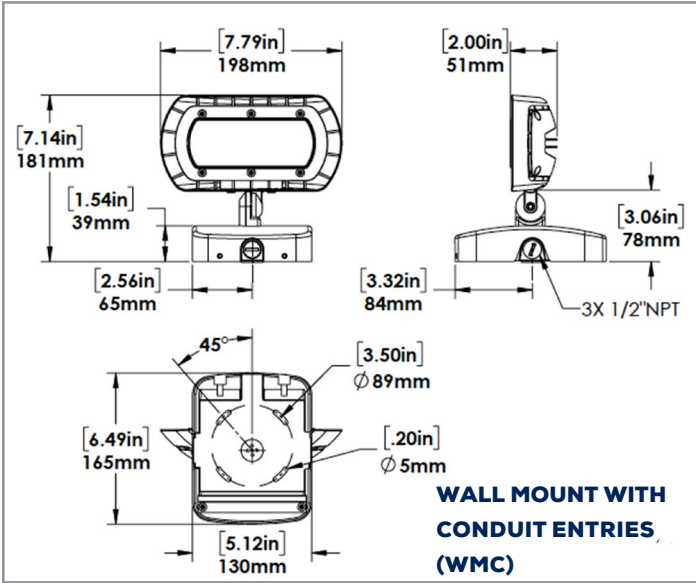


ORA2-LED30-B-4K-DIM
MOUNTED AT 12 FEET

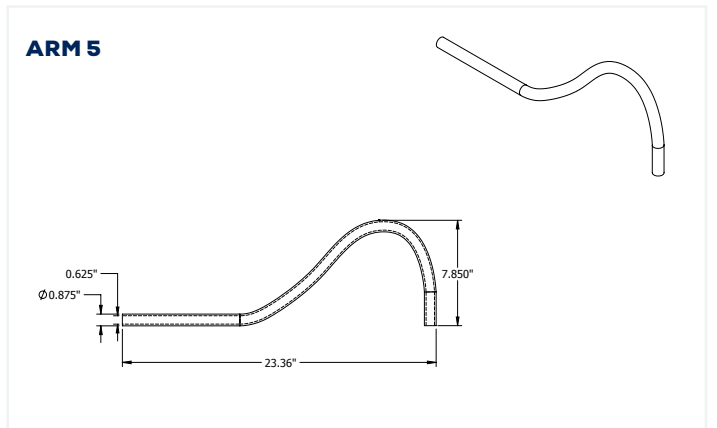
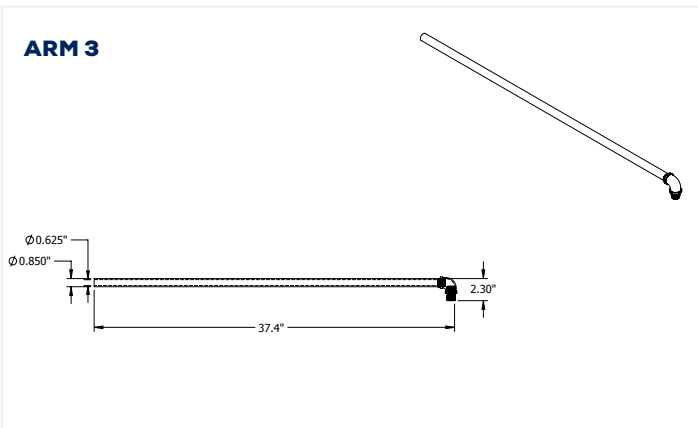
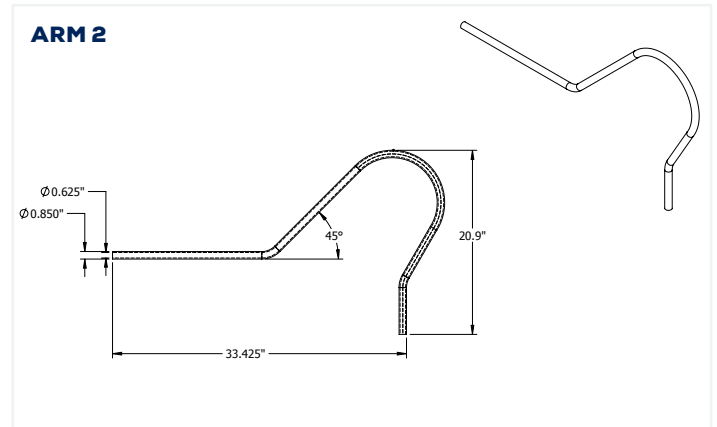
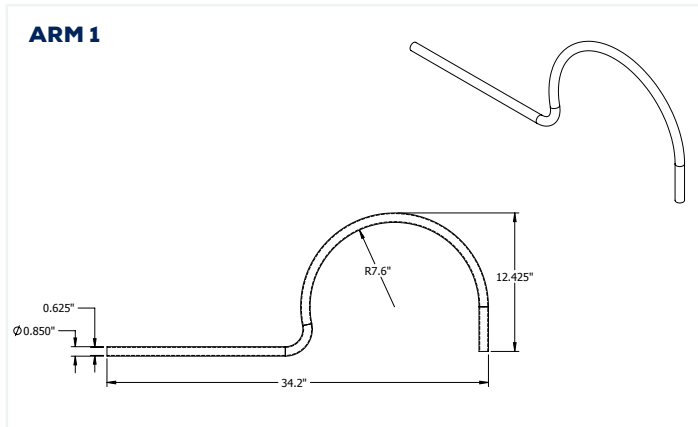
Total Lumens = 3698 Mounting Height = 12 Ft Maximum Calculated Value = 9.58 Fc



DIMENSIONS:



SIGN LIGHT DIMENSIONS:



APPLICATION:



ORDERING GUIDE:



Wattage	Voltage	Colour Temp.	Paint Finish	Dimming	Controls	Mounting
LED15 - 15W	B - 120-277V*	4K - 4000K*	BRZ - Bronze*	DIM-0-10V Dimming*	PC - Photocell**	KN - Knuckle
LED30 - 30W	C - 347V**		CC - Custom Colour		MS180DIM - Dimming PIR Motion Sensor **	YK - Yoke WMC - Wall Mount Box with Conduit Entries

* Standard Configuration

** Must order WMCB Back Box when ordering 347V, Photocell or Motion Sensor

347V FIXTURES WILL BE DLC STANDARD ONLY AND COMES WITH A DEEP BACKBOX ONLY

WMCB - Wall Mount Box with Conduit Entries For 347V or PC Options

ORDERING GUIDE - SIGN LIGHT:



Wattage	Voltage	Colour Temp.	Paint Finish	Dimming	Mounting	Arm
LED15 - 15W	B - 120-277V*	4K - 4000K*	BRZ - Bronze*	DIM-0-10V Dimming*	KN - Knuckle	ARM1
LED30 - 30W			WHT - White			ARM2
			BLK - Black			ARM3
			CC - Custom Colour			ARM5

* Standard Configuration

FIELD INSTALLED ACCESSORIES

Ordering Guide For Accessories
Check the items that you wish to order:

- 002254 - ORA1/2 ARCHITECTURAL WALL MOUNT BRZ
(This accessory is compatible only with ORA with Knuckle mount)