

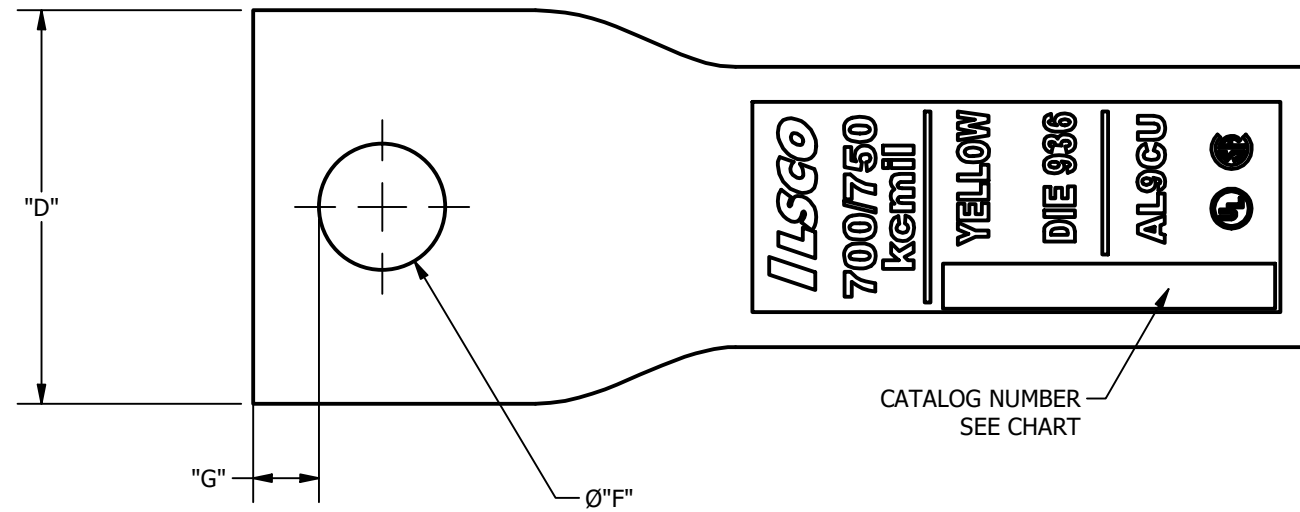
SCREW: NONE  
 CAT. NO.: SEE CHART  
 INFORMATION SHEET: FORM 196

MATERIAL: ALUMINUM  
 PLATING: EL-TIN  
 MARKING: NO TANG MARKING

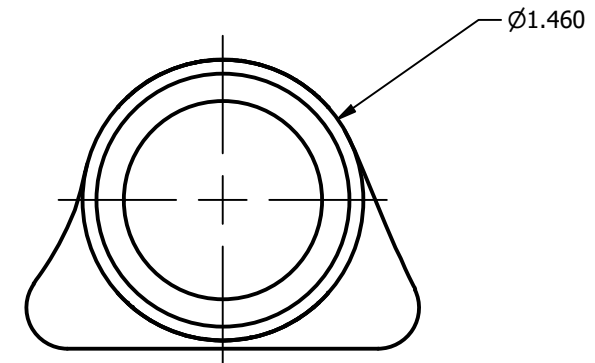
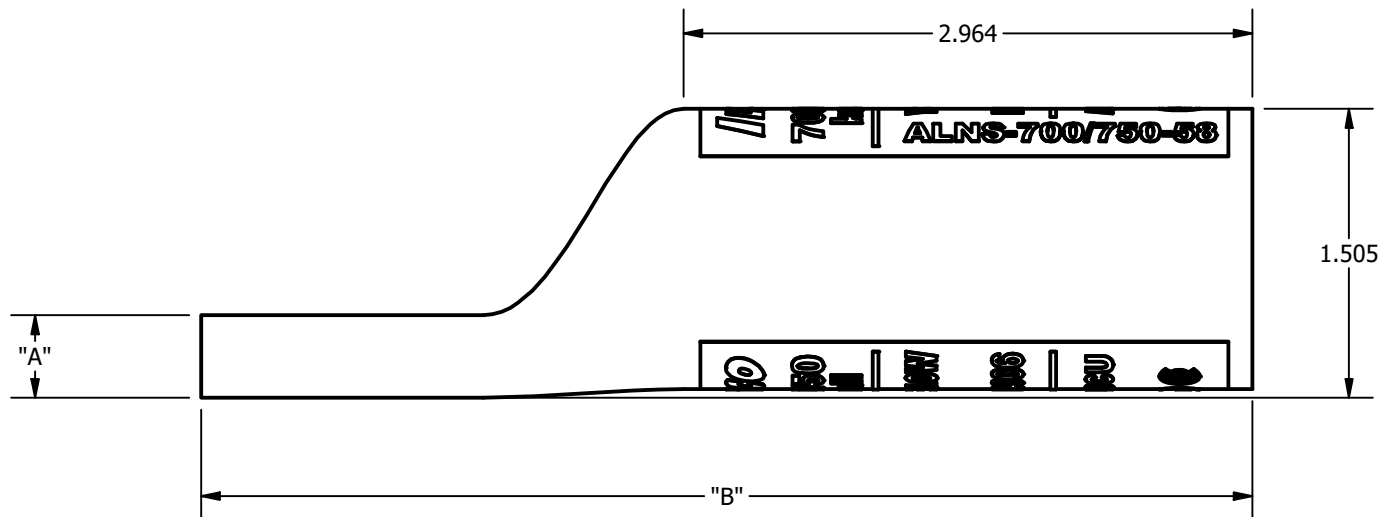
REV: O  
 DRAWN BY: MJK SCALE: NTS  
 DATE: 5/30/2013 SIZE: B



DWG NO: YA1903, YAN1903 Single  
 SHEET: 1 OF 1



CATALOG NUMBER  
 SEE CHART



CATOLOG NUMBER	"A"	"B"	"D"	"F"	"G"
ALNS-700/750-12	.430	5.325	2.048	0.562	.265
ALNN-700-750-12	.435	5.310	1.430	0.562	.265
ALNS-700/750-58	.430	5.475	2.048	0.656	.343
ALNN-700/750-58	.435	5.480	1.430	0.656	.343