

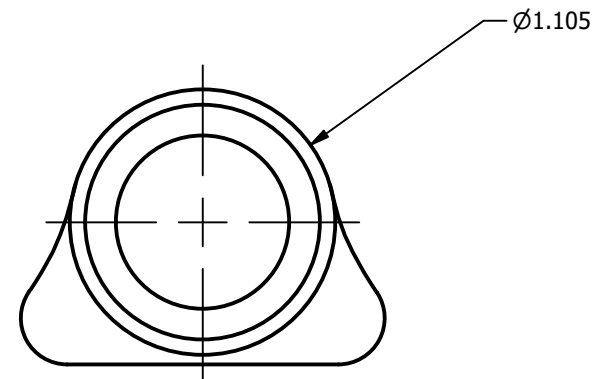
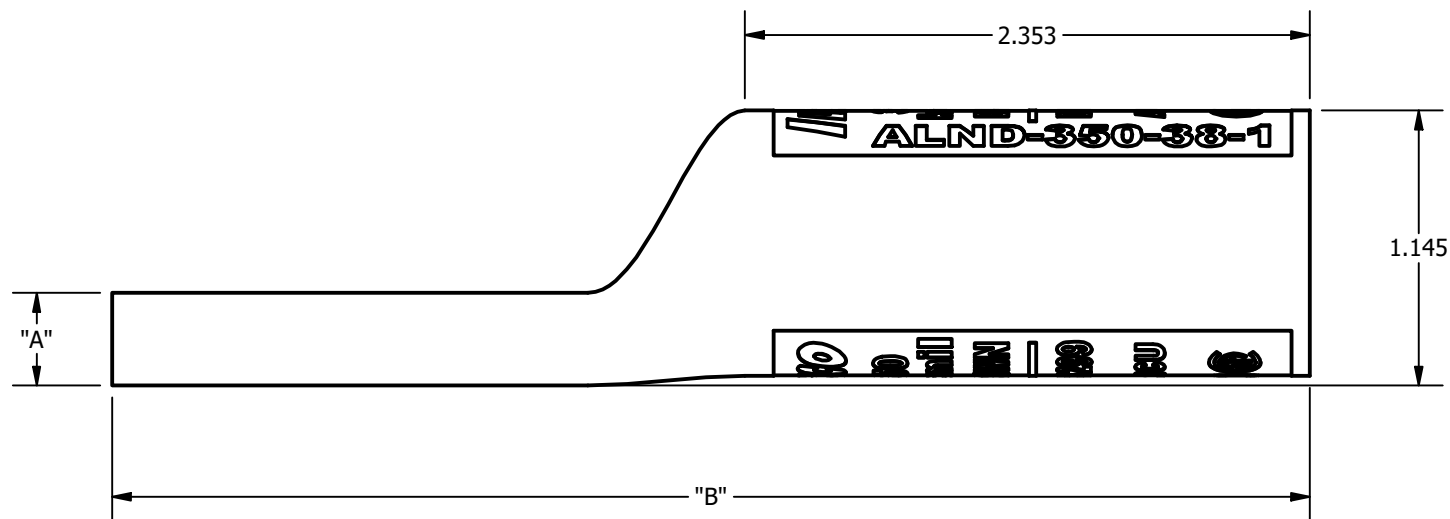
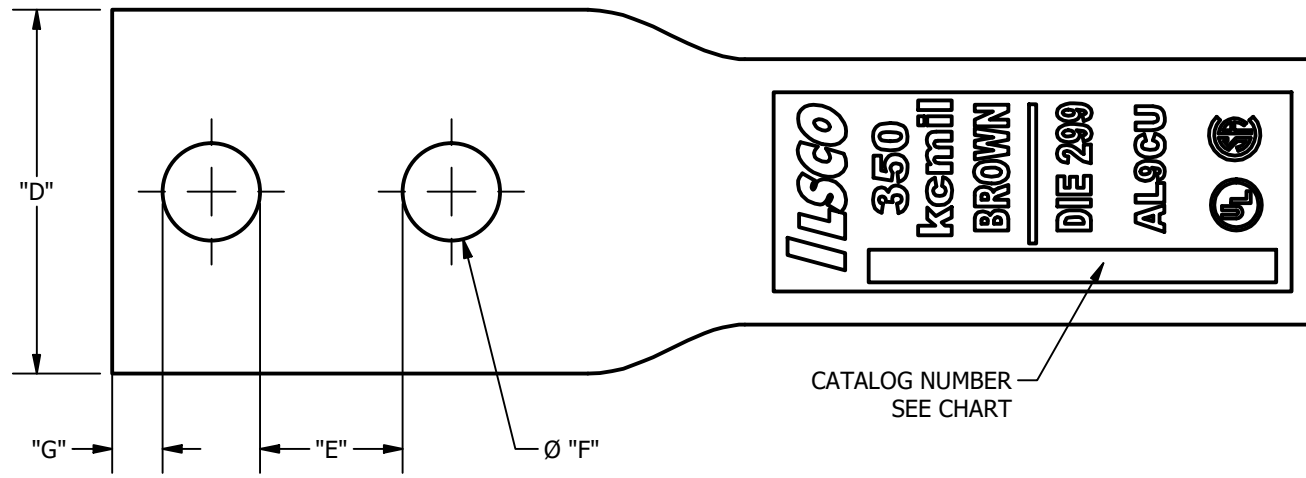
SCREW: NONE
 CAT. NO.: SEE CHART
 INFORMATION SHEET: FORM 196

MATERIAL: ALUMINUM
 PLATING: EL-TIN
 MARKING: NO TANG MARKING

REV: U
 DRAWN BY: MJK
 DATE: 6/12/2013
 SCALE: NTS
 SIZE: B

ILSCO
 connections
 matter
 800-776-9775 www.ilSCO.com

DWG NO:
YA1303, YAN1303 Double
 SHEET: 1 OF 1



CATALOG NUMBER	"A"	"B"	"D"	"E"	"F"	"G"
ALND-350-38-1	0.385	4.990	1.516	0.594	0.406	.211
ALNN-350-38-1	0.410	4.990	1.080	0.594	0.406	.211
ALND-350-12-1	0.385	5.480	1.516	0.438	0.562	.265
ALNN-350-12-1	0.410	5.180	1.075	0.438	0.562	.265
ALND-350-38-134	0.385	5.661	1.516	1.344	0.406	.211
ALNN-350-38-134	0.438	5.601	1.075	1.344	0.406	.211
ALND-350-12-134	0.385	6.065	1.516	1.188	0.562	.265
ALNN-350-12-134	0.438	6.060	1.075	1.188	0.562	.265