
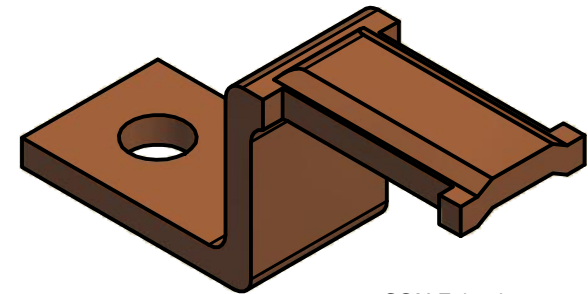
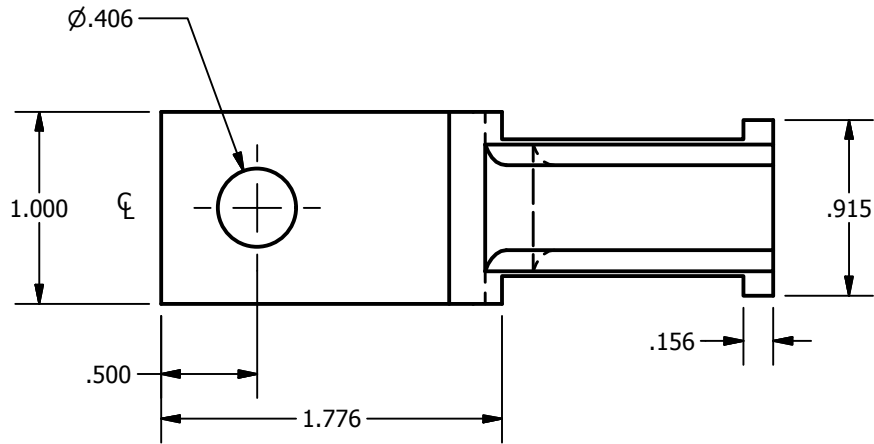
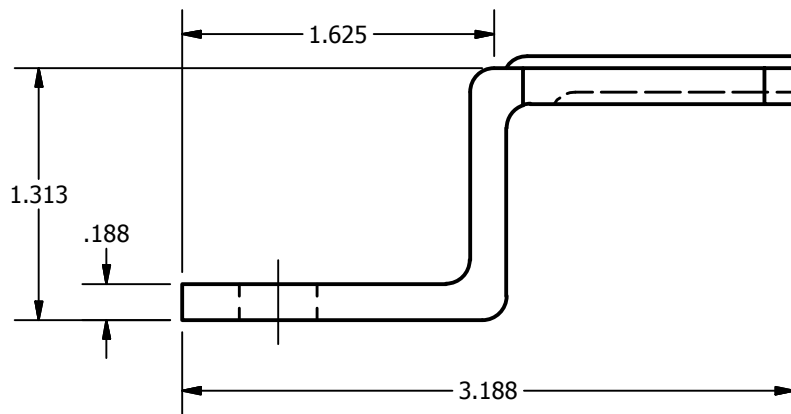




SCREW: NONE	MATERIAL: COPPER	REV: Q		
CAT. NO.: SLU-300	PLATING: SEE CHART	DRAWN BY: JG	SCALE: 1=1	
INFORMATION SHEET: FORM 1	MARKING: SEE CHART	DATE: 6/18/2007	SIZE: A	
		800-776-9775		www.ilsco.com
		DWG. NO.		F0212
		SHEET: 1 OF 1		



SCALE 1 : 1



DEV	PLATING	MARKING
C00B	BRIGHT DIP	SLU300 
C00T	EL-TIN	SLU300 
C10B	BRIGHT DIP	BTC3511 